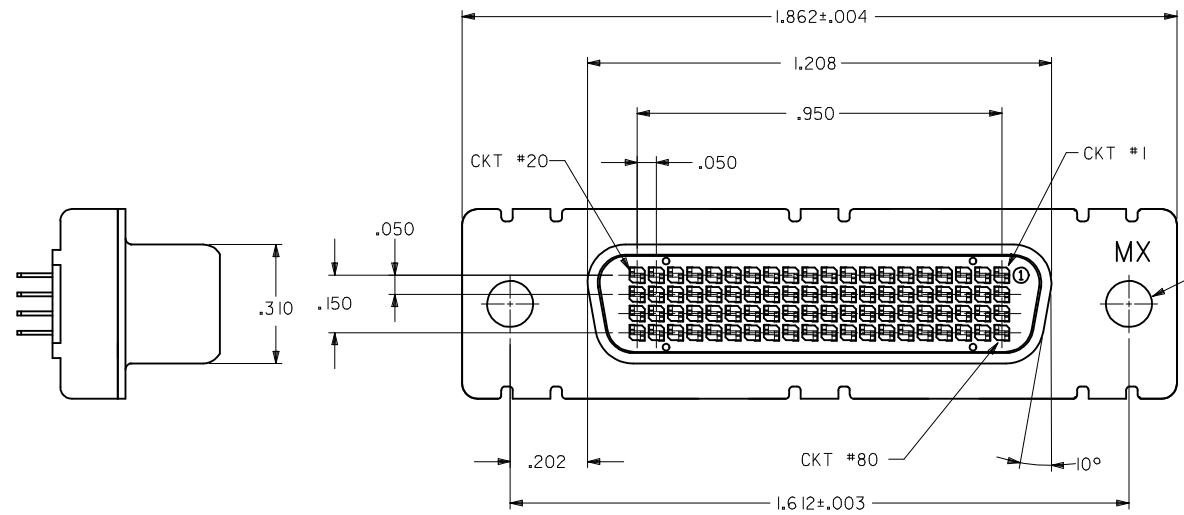
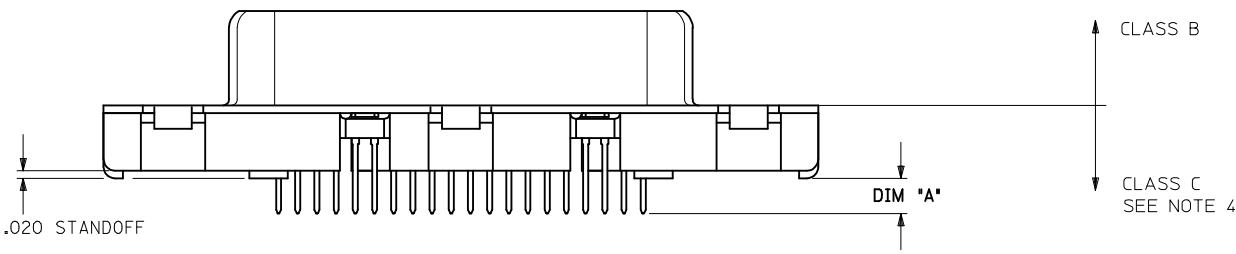
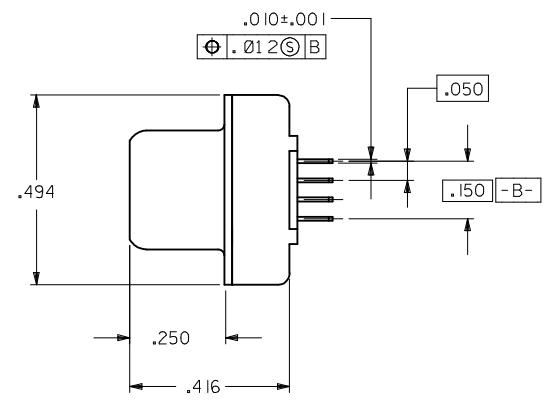


NOTES:

- 1) MATERIALS:
 - HOUSING: GLASS FILLED LCP (LIQUID CRYSTAL POLYMER), UL 94V-0, COLOR: BLACK.
 - MOLDED STICK: GLASS FILLED LCP (LIQUID CRYSTAL POLYMER), UL 94V-0, COLOR: BLACK.
 - FEMALE TERMINAL: HIGH PERFORMANCE COPPER ALLOY.
 - OUTER SHELL: DEEP DRAWN STEEL.
- 2) PLATING :
 - TERMINAL: 30 microinches / 0.76 micrometer MIN. GOLD IN SELECTIVE AREA, 100 microinches / 2.54 micrometers MIN. TIN IN SELECTIVE AREA, OVER NICKEL UNDERPLATE OVERALL.
 - OUTER SHELL: 100 microinches / 2.54 micrometers MIN. BRIGHT NICKEL OVER COPPER FLASH (OPTIONAL).
- 3) CONFORMS TO PRODUCT SPECIFICATION PS-70928.
- 4) PART COMPLIES WITH COSMETIC SPECIFICATION PS-45499-002. SEE CLASS CALLOUTS BELOW.



M3 THREADED INSERT
RETAINED IN PLASTIC
MAXIMUM APPLICATION
TORQUE: 5IN-LBS



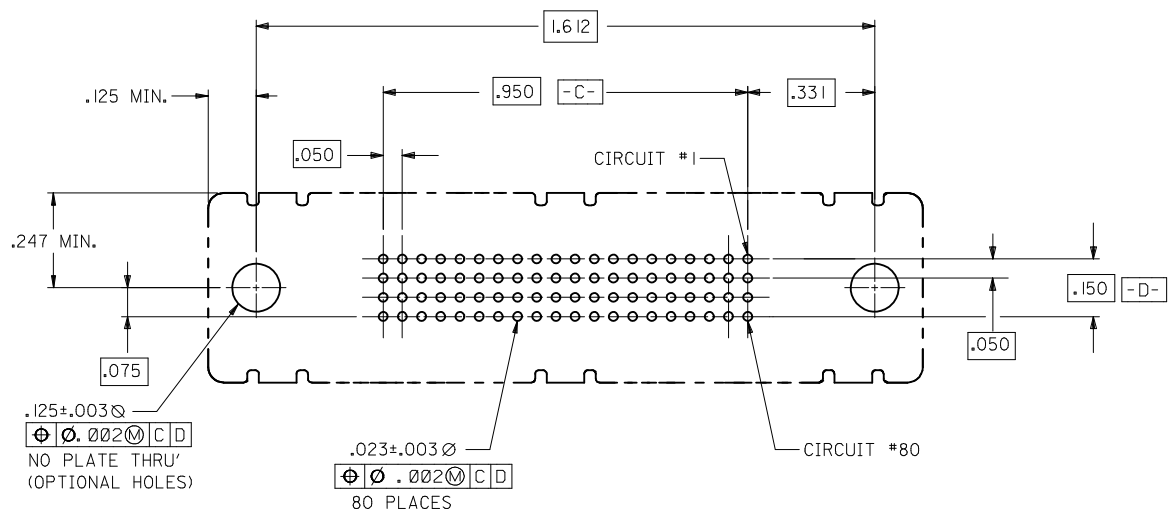
CLASS B

CLASS C
SEE NOTE 4

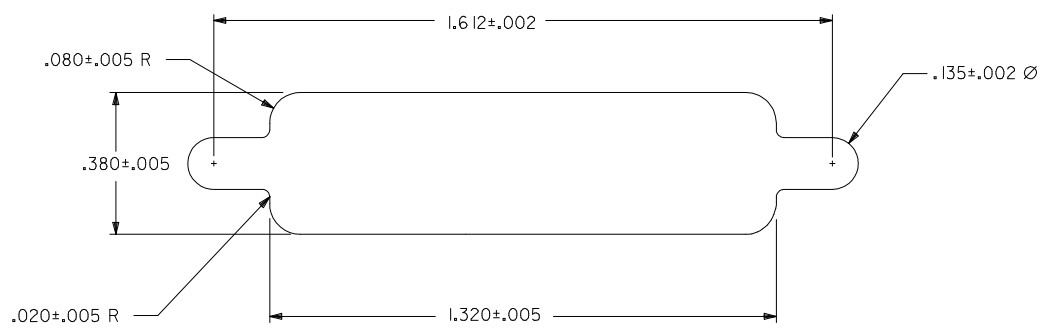
ITEM NUMBER	DIM *A* (TAIL LENGTH)	PACKAGING SPECIFICATION
71478-1000	.092±.007	PK-70873-0604
71478-1001	.062±.007	PK-70873-0604
71478-1002	.150	PK-70873-640
71478-1003	.185	PK-70873-640

REVISE NOTES EC NO: UCP2010-0117 DRWINS:DANIELLEY 2009/07/23 CHKD:MSIBARRA 2009/07/24 APPR:SMILLER 2009/07/24	QUALITY SYMBOLS ▽=0 ▽=0	GENERAL TOLERANCES (UNLESS SPECIFIED)		DIMENSION STYLE INCH ONLY		SCALE 4:1	DESIGN UNITS INCH	THIRD ANGLE PROJECTION	
		4 PLACES ± --- ± --- 3 PLACES ± --- ± .010 2 PLACES ± --- ± --- 1 PLACE ± --- ± ---	mm INCH	DRAWN BY MOS	DATE 1995/03/23	TITLE .050 X .050 80 CKT LFH VERTICAL RECEPTACLE I/O FOR .062 THICK PCB			
		ANGULAR ± 1/2°		CHECKED BY GWF	DATE 1995/03/23	MOLEX INCORPORATED			
		DRAFT WHERE APPLICABLE MUST REMAIN WITHIN DIMENSIONS		APPROVED BY GWF	DATE 1995/03/23	MATERIAL NO. SEE TABLE	DOCUMENT NO. SDA-71478-100*	SHEET NO. 1 OF 2	

THIS DRAWING CONTAINS INFORMATION THAT IS PROPRIETARY TO MOLEX INCORPORATED AND SHOULD NOT BE USED WITHOUT WRITTEN PERMISSION



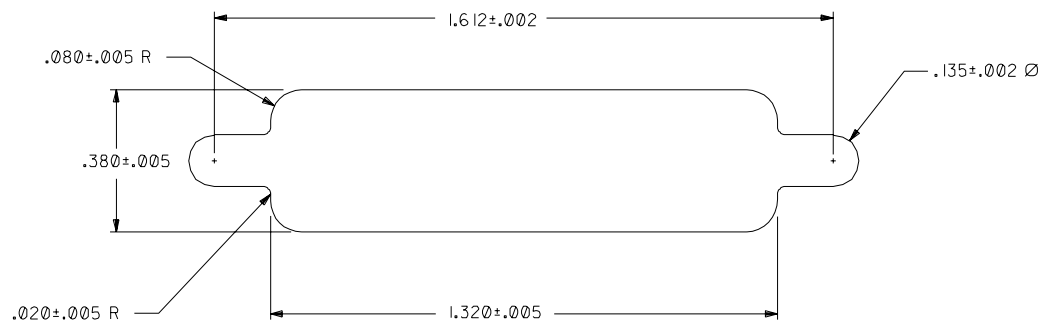
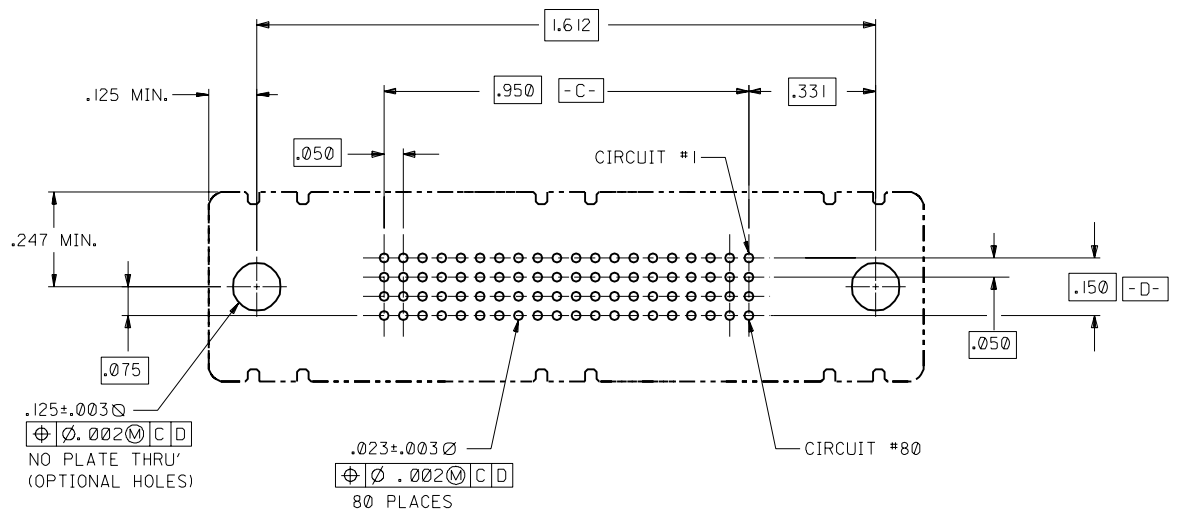
RECOMMENDED P.C.B. LAYOUT
COMPONENT SIDE



RECOMMENDED PANEL CUT-OUT

NOTE: MAX. PANEL THICKNESS: .040"

SEE SHEET 1 EC NO: UCP2010-0117 DRWN:SDANALLEY 2009/07/23 CHKD:MSIBARRA 2009/07/24 APPR:SMILLER 2009/07/24	QUALITY SYMBOLS ▽=0 ▽=0	GENERAL TOLERANCES (UNLESS SPECIFIED)		DIMENSION STYLE INCH ONLY		SCALE 4:1	DESIGN UNITS INCH	THIRD ANGLE PROJECTION		
		4 PLACES ± --- ± ---	mm INCH	DRAWN BY MOS	DATE 1995/03/23	TITLE .050 X .050 80 CKT LFH VERTICAL RECEPTACLE I/O FOR .062 THICK PCB				
		3 PLACES ± --- ± .010		CHECKED BY GWF	DATE 1995/03/23					
		2 PLACES ± --- ± ---		APPROVED BY GWF	DATE 1995/03/23	MATERIAL NO. SEE SHEET 1		DOCUMENT NO. SDA-71478-100*		SHEET NO. 2 OF 2
1 PLACE ± --- ± ---		ANGULAR ± 1/2°		DRAFT WHERE APPLICABLE MUST REMAIN WITHIN DIMENSIONS						



NOTE: MAX. PANEL THICKNESS: .040"

E	SEE SHEET I
B	SEE SHEET I
A	SEE SHEET I

DIMENSIONS SHOWN (METRIC) INCH		▽ = 0		◻ = 0		REVISE ONLY ON CAD SYSTEM	
UNLESS OTHERWISE SPECIFIED TOLERANCES ANGULAR ± 1/2°		TITLE		PART NO.		DRWG. NO.	
3 PLACE ± .010		.050" x .050" @ 80 CKT LFH		SDA-71478-100		SHEET NO. 2	
2 PLACE ± ±		VERTICAL RECEPTACLE I/O		MOLEX INCORPORATED		DATE 03/23/95	
1 PLACE --- ±		FOR .062" THK PCB		L15LE.ILL. 60532		U.S.A.	
DRAFT WHERE APPLICABLE MUST REMAIN WITHIN DIMENSIONS		DRAWING INFORMATION		THIS DRAWING CONTAINS INFORMATION THAT IS PROPRIETARY TO MOLEX INC. AND SHOULD NOT BE USED WITHOUT WRITTEN PERMISSION		DIV. CD	
DRWG. BY MOS	CHK'D. BY GWF	FILE NAME	SCALE	4: 1	SIZE	CD C	
APP'D. BY GWF	SCALE	S71478X2	DGN	DGN		CD C	

71478