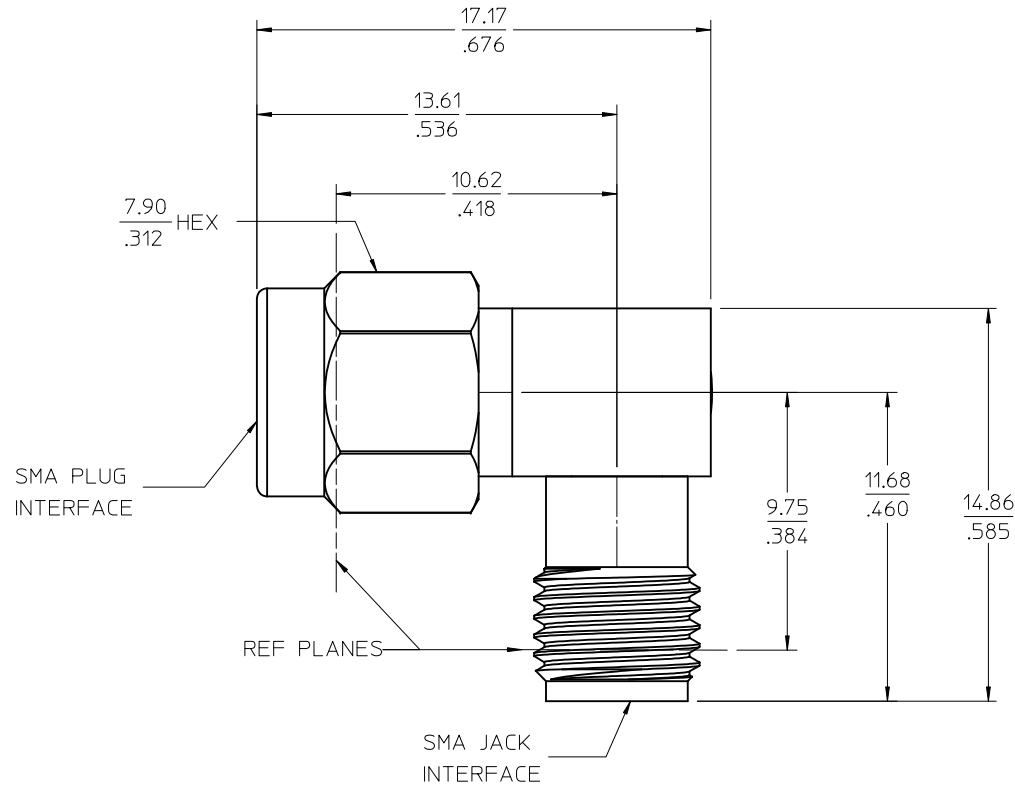
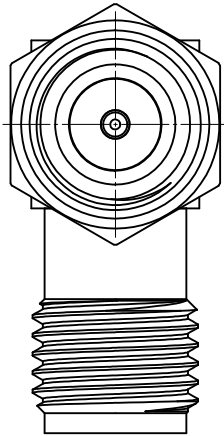
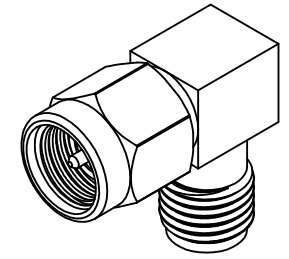


MATERIALS AND FINISHES:

BODY & COUPLING NUT STAINLESS STEEL  
PASSIVATED

CENTER CONTACT BERYLLIUM COPPER  
PLATED GOLD

INSULATOR TEFLON



PART # 73251-0303

|                          |                    |
|--------------------------|--------------------|
| MIL-STD-348A, FIG. 310.1 | SMA PLUG INTERFACE |
| MIL-STD-348A, FIG. 310.2 | SMA JACK INTERFACE |
| SPECIFICATION            | DESCRIPTION        |

|   |                               |   |  |                           |                              |  |                        |                        |                    |  |
|---|-------------------------------|---|--|---------------------------|------------------------------|--|------------------------|------------------------|--------------------|--|
| CHG: LOADED MODEL IN MM, MM/IN WAS IN/MM, UPDATED TITLE<br>EC NO: URF2011-0487<br>DRW: SSSHAH 2011/02/11<br>CHKD: ROBERTSON 2011/02/14<br>APPR: WIENER 2011/02/14 | QUALITY SYMBOLS<br>▽=0<br>▽=0 | GENERAL TOLERANCES (UNLESS SPECIFIED)   |  | DIMENSION STYLE<br>MM/IN  |                              | SCALE  | DESIGN UNITS<br>METRIC | THIRD ANGLE PROJECTION |                    |  |
|   |                               | 4 PLACES ± --- ± ---<br>3 PLACES ± --- ± ---<br>2 PLACES ± --- ± ---<br>1 PLACE ± --- ± --- | mm INCH<br>± --- ± ---<br>± --- ± ---<br>± --- ± --- | DRAWN BY<br>EDC           | DATE                         | TITLE<br>ADAPTOR SMA P/SMA J RA<br>50 OHMS EWR-2024<br>SMA-PJ/AD |                        |                        |                    |  |
|   |                               | ANGULAR ± 2 °   |  | CHECKED BY<br>DHG         | DATE<br>1998/01/06           | APPROVED BY<br>GMH   |                        | DATE<br>1998/01/06     | MOLEX INCORPORATED |  |
|   |                               | DRAFT WHERE APPLICABLE MUST REMAIN WITHIN DIMENSIONS  |  | MATERIAL NO.<br>732510303 | DOCUMENT NO.<br>SD-73251-030 | SHEET NO.<br>1 OF 1  |                        |                        |                    |  |