

MATERIALS AND FINISHES

BODY, COUPLING NUT
STAINLESS STEEL, PASSIVATED

CENTER CONTACT
BERYLLIUM COPPED, GOLD PLATED

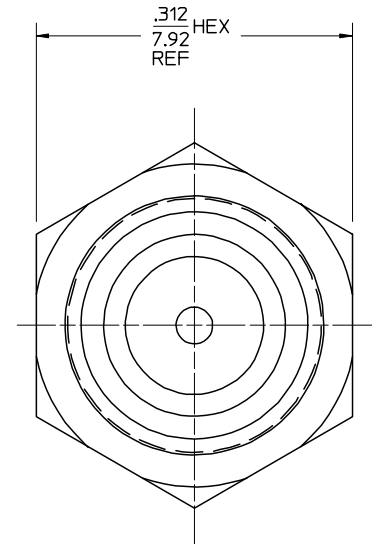
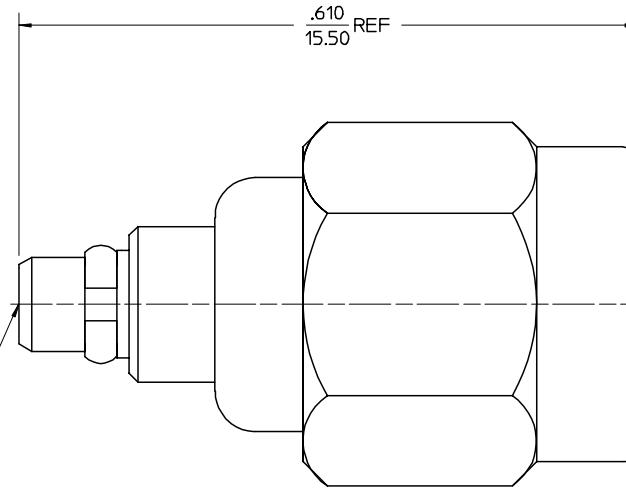
INSULATOR
TEFLON

GASKET
SILICONE RUBBER

SNAP RING
BERYLLIUM COPPER, GOLD PLATED

C RING
BERYLLIUM COPPER, PASSIVATED

MMCX PLUG REVERSE



SMA PLUG

PART # 73386-0320

XXXXX-XXXX	XXXXX
SPECIFICATION	DESCRIPTION

CHG: NEW RELEASE	EC NO. RF-0723	DESCRIPTION
	DRWN: LYNN 01/12/18	
A	CHK: VINCENT 01/12/18	UNLESS OTHERWISE SPECIFIED DIMS ARE INCHES AND ANGLES ARE DEGREES.
	APPR: MISEN 01/12/18	1. $\sqrt{63}$ ALL OVER.
		2. NO CHATTER OR NON-UNIFORM SURFACE FINISH ALLOWED.
		3. PARTS TO BE FREE OF BURRS & SHARP EDGES .005 MAX BREAK.
		4. EXTERNAL THREADS TO BE ROLLED OR SINGLE POINT.
		5. DIAMETERS TO BE CONCENTRIC WITHIN .003 TIR.

UNLESS OTHERWISE SPECIFIED DIMS ARE INCHES AND ANGLES ARE DEGREES.

- $\sqrt{63}$ ALL OVER.
- NO CHATTER OR NON-UNIFORM SURFACE FINISH ALLOWED.
- PARTS TO BE FREE OF BURRS & SHARP EDGES .005 MAX BREAK.
- EXTERNAL THREADS TO BE ROLLED OR SINGLE POINT.
- DIAMETERS TO BE CONCENTRIC WITHIN .003 TIR.

QUALITY SYMBOLS	GENERAL TOLERANCES: (UNLESS SPECIFIED)
MAJOR	mm INCH
CRITICAL	4 PLACES \pm .0005
	3 PLACES \pm .005
	2 PLACES \pm .01
	1 PLACE \pm .1
	ANGULAR: $\pm 2^\circ$
	DRAFT WHERE APPLICABLE MUST REMAIN WITHIN DIMENSIONS

SCALE	DESIGN UNITS
	<input type="checkbox"/> mm <input checked="" type="checkbox"/> INCH
DRAWN BY & DATE	
LYNN LIN 2001/03/21	
CHECKED BY & DATE	
APPROVED BY & DATE	
CAD FILENAME	

THIRD ANGLE PROJECTION	DIMENSIONS: <input type="checkbox"/> mm <input checked="" type="checkbox"/> INCH <input type="checkbox"/> mm ONLY	1	A
TITLE:		SHT	REV
50 OHM MMCX(P) REVERSE-SMA(P)		REVISE ON CAD ONLY	
BSA-MMCX(P)/SMA(P)			
MATERIAL NO. SEE NOTE		SHEET NO. 1 of 1	
DRAWING NO. SD-73386-032		SIZE B	
THIS DRAWING CONTAINS INFORMATION THAT IS PROPRIETARY TO MOLEX INCORPORATED AND SHOULD NOT BE USED WITHOUT WRITTEN PERMISSION.			