

MATERIALS AND FINISHES

BODY BRASS
PLATED SEE TABLE

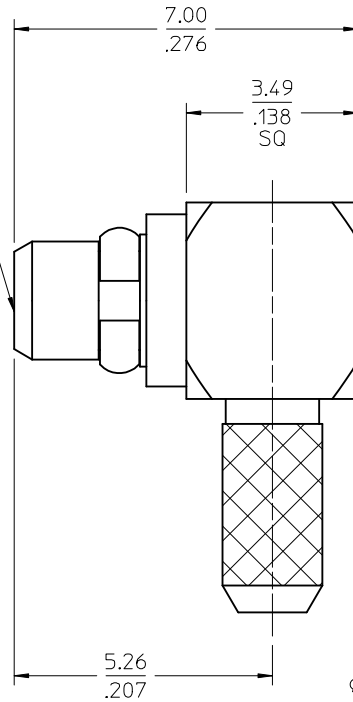
CENTER CONTACT BRASS
PLATED GOLD

INSULATOR TEFLON

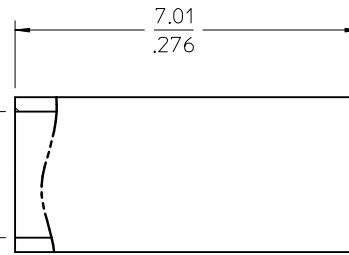
NOTE :
1) 73415-0955 IS FOR
ENHANCED PERFORMANCE.

2)RG178 CABLE OR EQUIVALENT
CRIMPING FORCE 6.5kgf MIN

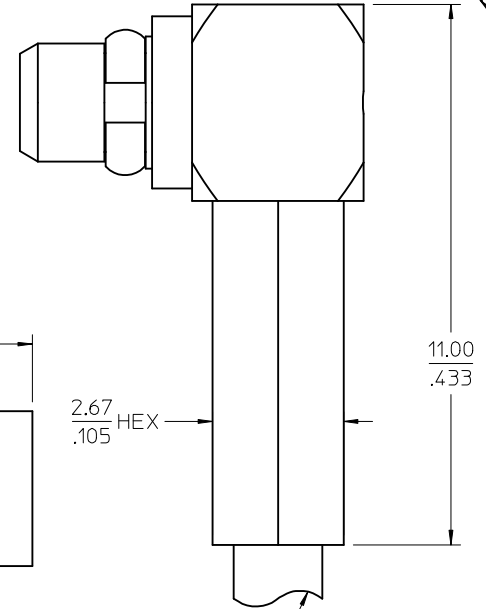
MMCX PLUG
INTERFACE



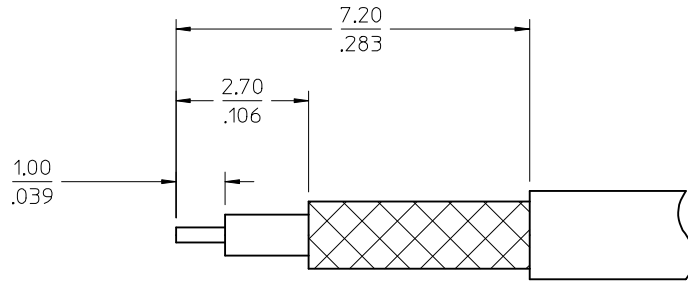
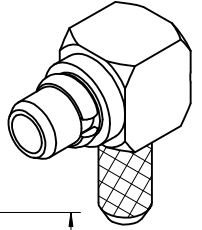
CAP



CRIMP TUBE



RG178 CABLE



RECOMMENDED STRIP DIMENSIONS

73415-0955	GOLD OVER NICKEL PER COMMERCIAL REQUIREMENTS	BULK
73415-0954	GOLD OVER NICKEL PER COMMERCIAL REQUIREMENTS	BULK
73415-0953	GOLD OVER NICKEL PER COMMERCIAL REQUIREMENTS	73415-0951, ONE PER BAG
73415-0952	NICKEL	BULK
73415-0951	GOLD OVER NICKEL PER COMMERCIAL REQUIREMENTS	BULK
73415-0950	GOLD OVER NICKEL PER MILITARY REQUIREMENTS	BULK
PART NO.	PLATING	PACKAGING

ES-73599-0000-015	INTERFACE
PS-89675-1920	ELECTRO/MECH PERFORM.
SPECIFICATION	DESCRIPTION

CHG: ADD NOTE 2
EWR RF14-E037
EC NO: 2013/09/04
DRWN: YCHENG
CHKD: 2013/09/10
APPR: MHUANG

QUALITY SYMBOLS

 GENERAL TOLERANCES (UNLESS SPECIFIED)
 mm INCH
 4 PLACES ± --- ± ---
 3 PLACES ± --- ± ---
 2 PLACES ± --- ± ---
 1 PLACE ± --- ± ---
 ANGULAR ± 2 °
 DRAFT WHERE APPLICABLE
 MUST REMAIN
 WITHIN DIMENSIONS

DIMENSION STYLE MM/IN
 DRAWN BY DATE
 EDC 1999/01/27
 CHECKED BY DATE
 EDC 1999/01/27
 APPROVED BY DATE
 MHUANG 2010/02/23
 MATERIAL NO.
 SEE TABLE
 SIZE C

SCALE DESIGN UNITS METRIC
 THIRD ANGLE PROJECTION
 TITLE
 MMCX PLUG 50 OHMS R/A
 FOR RG178 CABLE
 MMCX-P/RG178
 MOLEX INCORPORATED
 DOCUMENT NO. SD-73415-095
 SHEET NO. 1 OF 1
 THIS DRAWING CONTAINS INFORMATION THAT IS PROPRIETARY TO MOLEX INCORPORATED AND SHOULD NOT BE USED WITHOUT WRITTEN PERMISSION