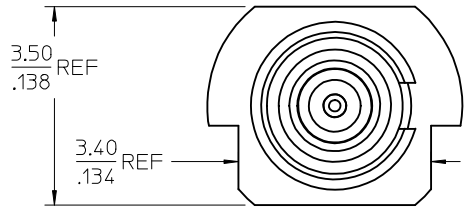
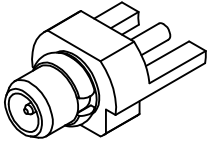


MATERIALS AND FINISHES

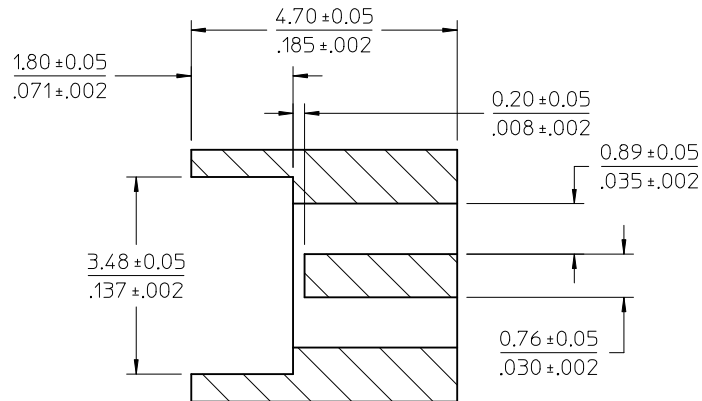
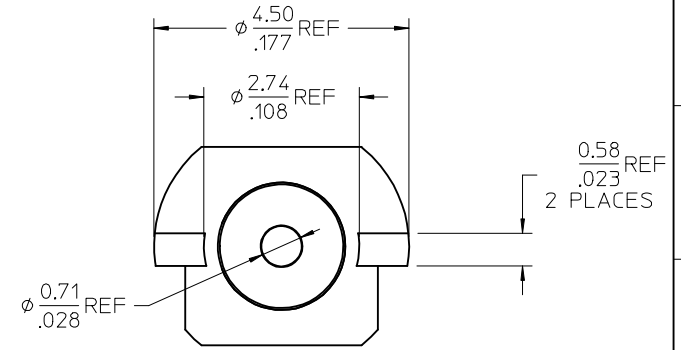
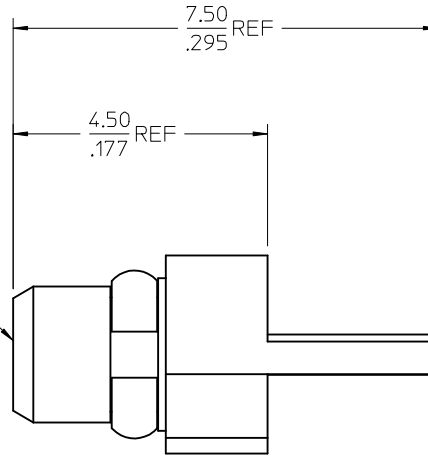
BODY BRASS
PLATED GOLD

CENTER CONTACT BRASS
PLATED GOLD

INSULATOR TEFLON



MMCX PLUG
INTERFACE



BOARD MATERIAL: FR4, 1.4mm(.055) THICK
PCB LAYOUT WITH GROUND PLANE

73415-0993	P/N 73415-0991, ONE PER BAG
73415-0992	PER COMMERCIAL REQUIREMENTS, TAPE AND REEL
73415-0991	PER COMMERCIAL REQUIREMENTS, PACKAGING-BULK
73415-0990	PER MILITARY REQUIREMENTS, PACKAGING-BULK
PART NO.	PLATING AND PACKAGING

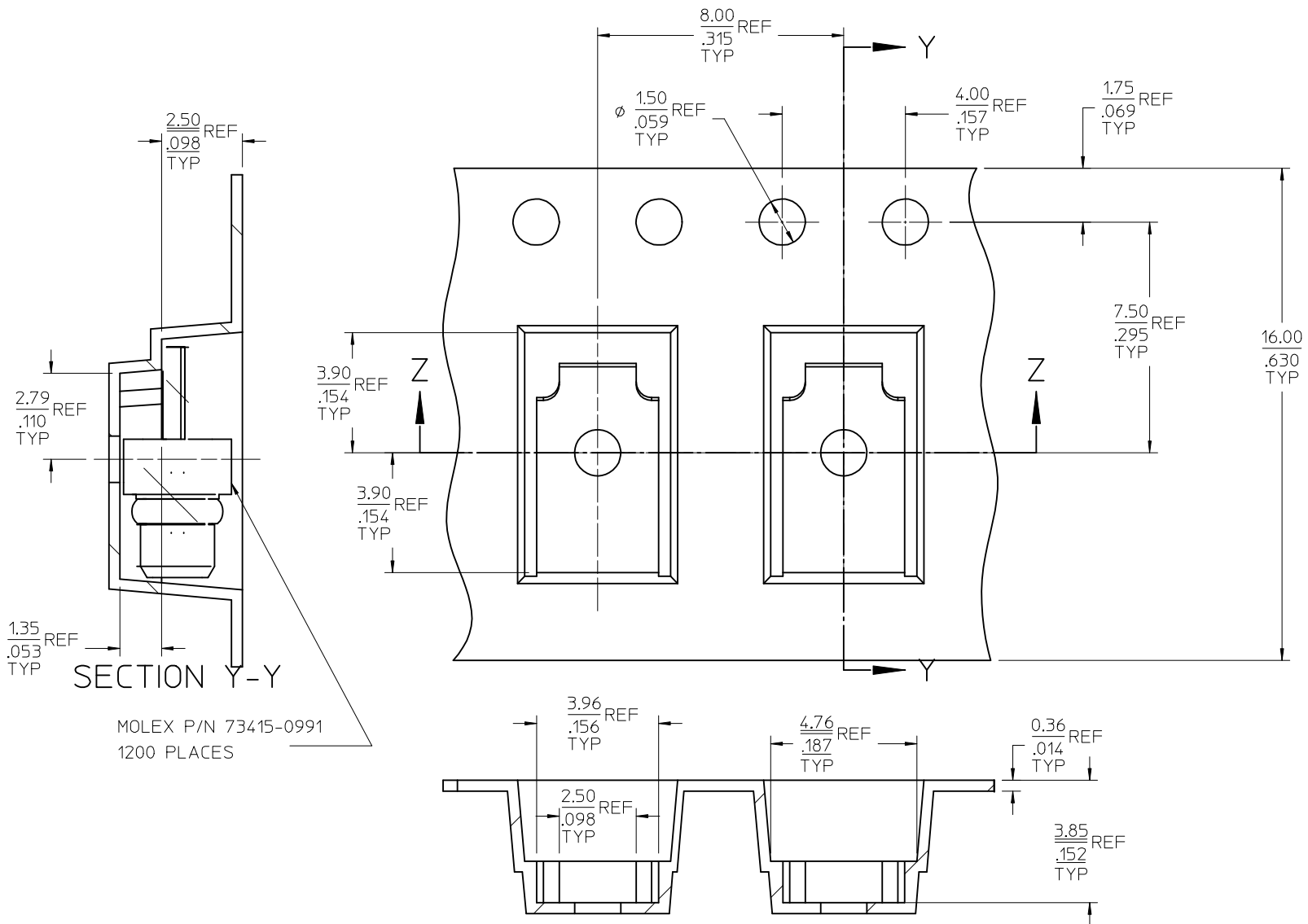
CECC 22 340	INTERFACE
PS-89675-1920	ELECTRO/MECH PERFORM.
SPECIFICATION	DESCRIPTION

CHG: PS WAS -1910
INTERFACE WAS
ES-73599-0000-0150

EC NO: URF2013-0542
DRWN: WIENER 2013/04/02
CHKD: SSS 2013/04/02
APPR: WIENER 2013/04/02

REV: E3

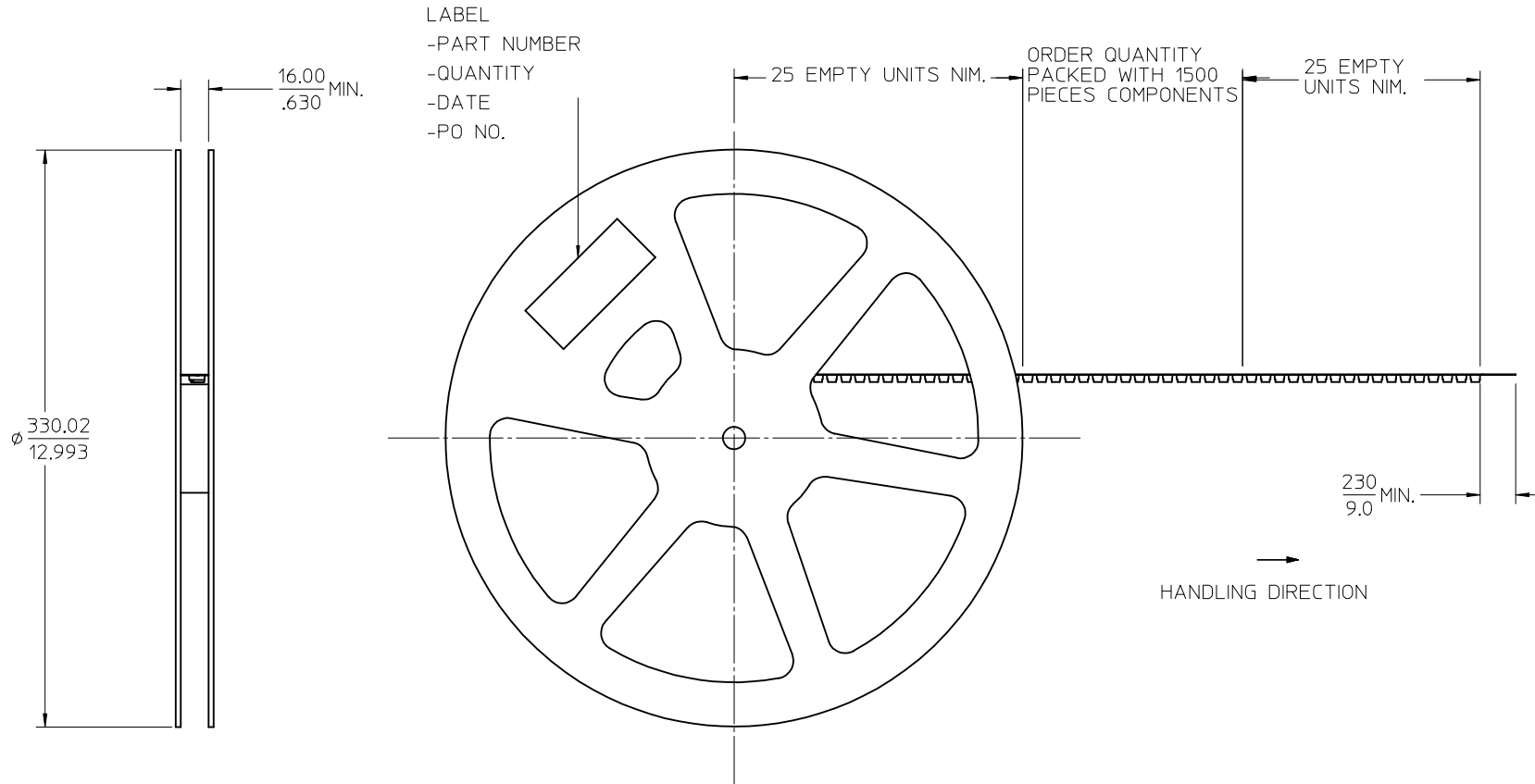
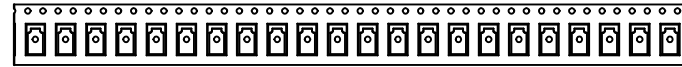
QUALITY SYMBOLS	GENERAL TOLERANCES (UNLESS SPECIFIED)		DIMENSION STYLE	SCALE	DESIGN UNITS	THIRD ANGLE PROJECTION
			MM/IN		METRIC	
$\nabla=0$	4 PLACES	\pm ---	DRAWN BY	DATE	TITLE MMCX PLUG, EDGE MOUNT LAUNCHER, 50 OHMS MMCX-P/PCB molex	
$\nabla=0$	3 PLACES	\pm ---	CHECKED BY	DATE		
$\nabla=0$	2 PLACES	\pm ---	APPROVED BY	DATE		
	0 PLACE	\pm ---	GMH	1999/11/24		
ANGULAR \pm 2 °			MATERIAL NO.	DOCUMENT NO.	SHEET NO.	
DRAFT WHERE APPLICABLE MUST REMAIN WITHIN DIMENSIONS			SEE TABLE	SD-73415-099	1 OF 4	
THIS DRAWING CONTAINS INFORMATION THAT IS PROPRIETARY TO MOLEX INCORPORATED AND SHOULD NOT BE USED WITHOUT WRITTEN PERMISSION						



NOTE:
1. DIMENSIONS ARE PROVIDED FOR REFERENCE ONLY.

SEE SHEET 1 EC NO: URF2013-0542 DRWN: WIENER 2013/04/02 CHKD: SSS 2013/04/02 APPR: WIENER 2013/04/02 REV: E3	QUALITY SYMBOLS ▽=0 ▽=0 ▽=0	GENERAL TOLERANCES (UNLESS SPECIFIED) <table border="1"> <thead> <tr> <th></th> <th>mm</th> <th>INCH</th> </tr> </thead> <tbody> <tr> <td>4 PLACES</td> <td>± .005</td> <td>± .0002</td> </tr> <tr> <td>3 PLACES</td> <td>± .005</td> <td>± .0002</td> </tr> <tr> <td>2 PLACES</td> <td>± .005</td> <td>± .0002</td> </tr> <tr> <td>1 PLACE</td> <td>± .005</td> <td>± .0002</td> </tr> <tr> <td>0 PLACE</td> <td>± .005</td> <td>± .0002</td> </tr> </tbody> </table>		mm	INCH	4 PLACES	± .005	± .0002	3 PLACES	± .005	± .0002	2 PLACES	± .005	± .0002	1 PLACE	± .005	± .0002	0 PLACE	± .005	± .0002	DIMENSION STYLE MM/IN DRAWN BY DATE EDC 1999/03/18 CHECKED BY DATE TEF 1999/11/24 APPROVED BY DATE GMH 1999/11/24	SCALE DESIGN UNITS METRIC THIRD ANGLE PROJECTION	TITLE MMCX PLUG, EDGE MOUNT LAUNCHER, 50 OHMS MMCX-P/PCB molex
		mm	INCH																				
	4 PLACES	± .005	± .0002																				
	3 PLACES	± .005	± .0002																				
2 PLACES	± .005	± .0002																					
1 PLACE	± .005	± .0002																					
0 PLACE	± .005	± .0002																					
ANGULAR ± 2 ° DRAFT WHERE APPLICABLE MUST REMAIN WITHIN DIMENSIONS		MATERIAL NO. SEE SHEET 1	DOCUMENT NO. SD-73415-099	SHEET NO. 2 OF 4																			
THIS DRAWING CONTAINS INFORMATION THAT IS PROPRIETARY TO MOLEX INCORPORATED AND SHOULD NOT BE USED WITHOUT WRITTEN PERMISSION																							

NOTE:
13" REEL SIZE FOR 1500 PIECES



LABEL
-PART NUMBER
-QUANTITY
-DATE
-PO NO.

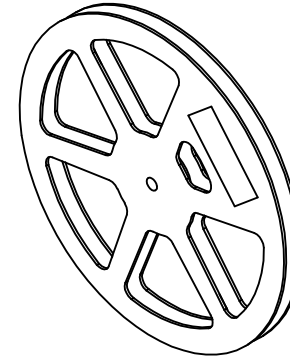
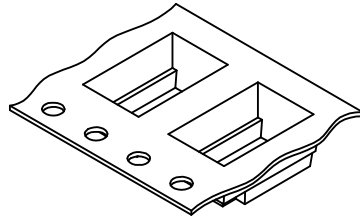
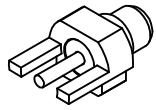
ORDER QUANTITY
PACKED WITH 1500
PIECES COMPONENTS

25 EMPTY
UNITS NIM.

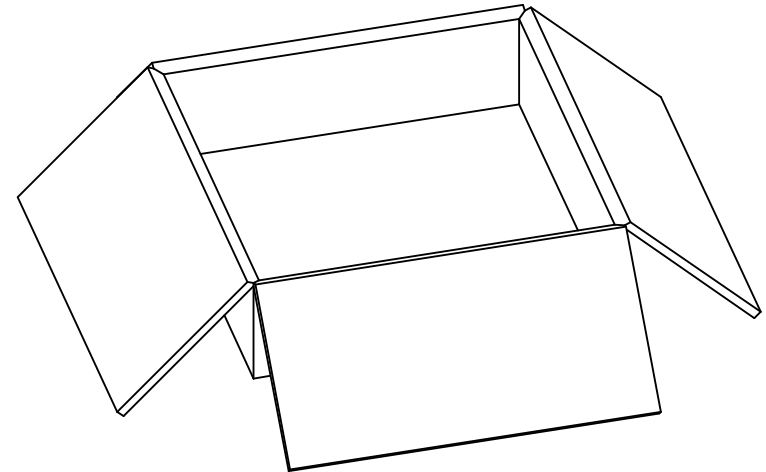
230
9.0
MIN.

HANDLING DIRECTION

SEE SHEET 1 EC NO: URF2013-0542 DRWN: JWIENER 2013/04/02 CHKD: SSS 2013/04/02 APPR: JWIENER 2013/04/02	QUALITY SYMBOLS = 0 = 0 = 0	GENERAL TOLERANCES (UNLESS SPECIFIED) <table border="1"> <thead> <tr> <th></th> <th>mm</th> <th>INCH</th> </tr> </thead> <tbody> <tr> <td>4 PLACES</td> <td>± .005</td> <td>± .0002</td> </tr> <tr> <td>3 PLACES</td> <td>± .005</td> <td>± .0002</td> </tr> <tr> <td>2 PLACES</td> <td>± .005</td> <td>± .0002</td> </tr> <tr> <td>1 PLACE</td> <td>± .005</td> <td>± .0002</td> </tr> <tr> <td>0 PLACE</td> <td>± .005</td> <td>± .0002</td> </tr> </tbody> </table>		mm	INCH	4 PLACES	± .005	± .0002	3 PLACES	± .005	± .0002	2 PLACES	± .005	± .0002	1 PLACE	± .005	± .0002	0 PLACE	± .005	± .0002	DIMENSION STYLE MM/IN DRAWN BY DATE EDC 1999/03/18 CHECKED BY DATE TEF 1999/11/24 APPROVED BY DATE GMH 1999/11/24	SCALE DESIGN UNITS METRIC THIRD ANGLE PROJECTION	TITLE MMCX PLUG, EDGE MOUNT LAUNCHER, 50 OHMS MMCX-P/PCB
		mm	INCH																				
	4 PLACES	± .005	± .0002																				
	3 PLACES	± .005	± .0002																				
2 PLACES	± .005	± .0002																					
1 PLACE	± .005	± .0002																					
0 PLACE	± .005	± .0002																					
E3	ANGULAR ± 2 ° DRAFT WHERE APPLICABLE MUST REMAIN WITHIN DIMENSIONS	MATERIAL NO. SEE SHEET 1	DOCUMENT NO. SD-73415-099	SHEET NO. 3 OF 4																			
THIS DRAWING CONTAINS INFORMATION THAT IS PROPRIETARY TO MOLEX INCORPORATED AND SHOULD NOT BE USED WITHOUT WRITTEN PERMISSION																							



1500 SET PER 13" REEL



6000 SET PER OUTER
CARTON BOX
339 X 339 X 100 REF.

PART NO.
73415-0992

SEE SHEET 1 EC NO: URF2013-0542 DRWN: JWIENER 2013/04/02 CHKD: SSS 2013/04/02 APPR: JWIENER 2013/04/02	QUALITY SYMBOLS	GENERAL TOLERANCES (UNLESS SPECIFIED)		DIMENSION STYLE MM/IN		SCALE	DESIGN UNITS METRIC	THIRD ANGLE PROJECTION	
	▽=0	mm	INCH	DRAWN BY	DATE	TITLE	MMCX PLUG, EDGE MOUNT LAUNCHER, 50 OHMS MMCX-P/PCB molex		
	▽=0	4 PLACES ±	---	±	---	EDC			
	▽=0	3 PLACES ±	---	±	---	CHECKED BY	DATE	DOCUMENT NO. SD-73415-099 SHEET NO. 4 OF 4	
▽=0	2 PLACES ±	---	±	---	TEF	1999/11/24			
	1 PLACE ±	---	±	---	APPROVED BY	DATE	THIS DRAWING CONTAINS INFORMATION THAT IS PROPRIETARY TO MOLEX INCORPORATED AND SHOULD NOT BE USED WITHOUT WRITTEN PERMISSION		
	0 PLACE ±	---	±	---	GMH	1999/11/24			
		ANGULAR ± 2 °		MATERIAL NO.					
		DRAFT WHERE APPLICABLE MUST REMAIN WITHIN DIMENSIONS		SEE SHEET 1					