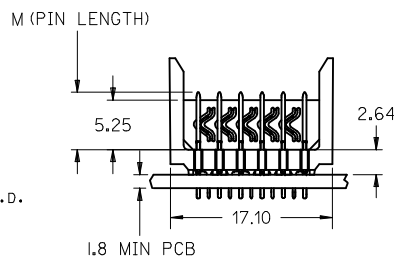
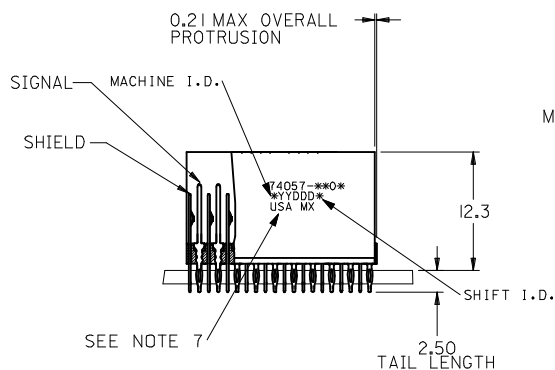
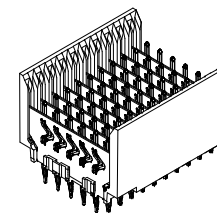


BACKPLANE HOLE PATTERN
RECOMMENDED DIMENSIONS



NOTES:

1. MATERIALS:
HOUSING - LIQUID CRYSTAL POLYMER (LCP),
GLASS-FILLED, UL 94V-0, COLOR: BLACK
SIGNAL PIN & SHIELD - COPPER ALLOY
2. FINISHES:
CONTACT AREA: SELECTIVE GOLD (Au)
PCB TAILS: SELECTIVE MATTE TIN (Sn)
NICKEL (Ni) OVERALL.
3. THIS PART CONFORMS TO MOLEX PRODUCT SPECIFICATION PS-74031-999
4. FOR MIXED CONTACT LENGTHS CONSULT MOLEX FOR AVAILABILITY
5. FOR SPECIFIC MATERIAL NUMBERS & MATING INFORMATION REFER TO SHEET 2
6. PACKAGE PER PK-74057-003
7. EITHER MARK PART WITH PART NUMBER & DATE CODE APPROXIMATELY WHERE SHOWN OR PLACE LABEL ON THE TUBE.
8. MAPS (MOLEX ADVANCED PLATING SYSTEM)

THE PRIMARY CARTON WITH A LABEL STATING "ELV AND RoHS COMPLIANT" IS LEAD FREE. CARTONS WITHOUT THIS LABEL MAY CONTAIN LEAD.

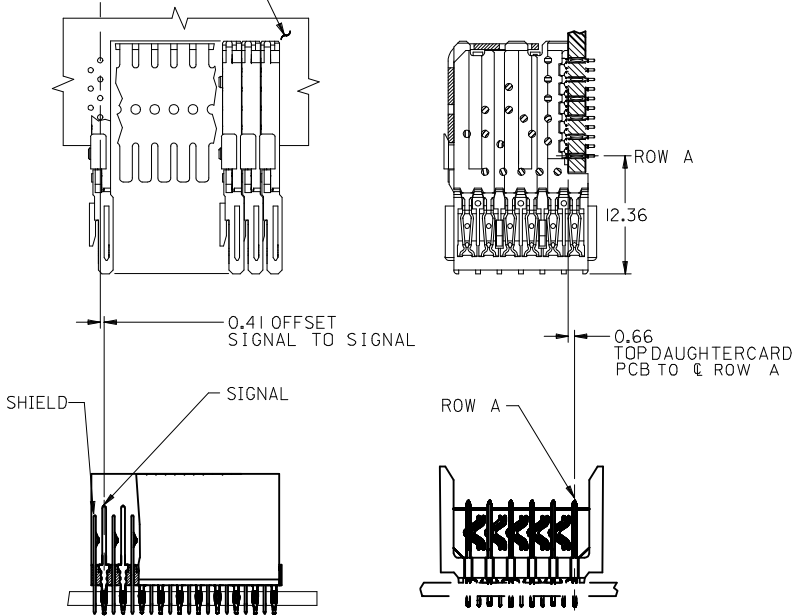
LEAD FREE CONVERSION EC NO: UCP2013-0687 DRAWINGS 2012/08/21 CHKD:HWOLF 2012/10/16 APPR:SMILLER 2012/12/14	QUALITY SYMBOLS ▽=0 ▽=0 ▽=0	GENERAL TOLERANCES (UNLESS SPECIFIED)		DIMENSION STYLE MM ONLY		SCALE 2.5:1	DESIGN UNITS METRIC	THIRD ANGLE PROJECTION
		mm	INCH	DRAWN BY MWANG	DATE 1998/11/09	TITLE VHDM 6 ROW OPEN END BACKPLANE SALES ASSEMBLY		
M	DESCRIPTION	4 PLACES ± --- ± ---	± --- ± ---	CHECKED BY JLAURX	DATE 1998/11/09	DOCUMENT NO. SD-74057-002		
		3 PLACES ± --- ± ---	± --- ± ---	APPROVED BY SMILLER	DATE 2012/05/23			
		2 PLACES ± 0.25 ± ---	± --- ± ---	THIS DRAWING CONTAINS INFORMATION THAT IS PROPRIETARY TO MOLEX INCORPORATED AND SHOULD NOT BE USED WITHOUT WRITTEN PERMISSION				
		1 PLACE ± 0.38 ± ---	± --- ± ---					
		0 PLACE ± --- ± ---	± --- ± ---					
		ANGULAR ±1/2°						
		DRAFT WHERE APPLICABLE MUST REMAIN WITHIN DIMENSIONS						

PART NUMBER	COLUMN	NUMBER OF SIGNAL PIN	NUMBER OF SHIELD	A	B	M	GOLD THICKNESS MICROMETER	TIN THICKNESS MICROMETER
74057-6001							0.25 MAPS	
74057-9001	10	60	10	20.00	18.00		0.76	
74057-9006							1.27	
74057-6501							0.25 MAPS	
74057-9501	15	90	15	30.00	28.00	4.75	0.76	
74057-9506							1.27	
74057-7001							0.25 MAPS	
74057-8501	25	150	25	50.00	48.00		0.76	
74057-8506							1.27	
74057-6002	10	60	10	20.00	18.00		0.25 MAPS	
74057-9002							0.76	
74057-9007							1.27	
74057-6502							0.25 MAPS	
74057-9502	15	90	15	30.00	28.00	6.25	0.76	
74057-9507							1.27	
74057-7002							0.25 MAPS	
74057-8502	25	150	25	50.00	48.00		0.76	
74057-8507							1.27	
74057-6003							0.25 MAPS	
74057-9003	10	60	10	20.00	18.00		0.76	
74057-9008							1.27	
74057-6503							0.25 MAPS	
74057-9503	15	90	15	30.00	28.00	4.25	0.76	
74057-9508							1.27	
74057-7003							0.25 MAPS	
74057-8503	25	150	25	50.00	48.00		0.76	
74057-8508							1.27	
74057-6004							0.25 MAPS	
74057-9004	10	60	10	20.00	18.00		0.76	
74057-9009							1.27	
74057-6504							0.25 MAPS	
74057-9504	15	90	15	30.00	28.00	5.15	0.76	
74057-9509							1.27	
74057-7004							0.25 MAPS	
74057-8504	25	150	25	50.00	48.00		0.76	
74057-8509							1.27	

PART NUMBER	COLUMN	NUMBER OF SIGNAL PIN	NUMBER OF SHIELD	A	B	M	GOLD THICKNESS MICROMETER	TIN THICKNESS MICROMETER
74057-1001							0.76	
74057-1006	10	60	10	20.00	18.00		1.27	
74057-1501							0.76	
74057-1506	15	90	15	30.00	28.00	4.75	1.27	
74057-2501							0.76	
74057-2506	25	150	25	50.00	48.00		1.27	
74057-1002							0.76	
74057-1007	10	60	10	20.00	18.00		1.27	
74057-1502							0.76	
74057-1507	15	90	15	30.00	28.00	6.25	1.27	
74057-2502							0.76	
74057-2507	25	150	25	50.00	48.00		1.27	
74057-1003							0.76	
74057-1008	10	60	10	20.00	18.00		1.27	
74057-1503							0.76	
74057-1508	15	90	15	30.00	28.00	4.25	1.27	
74057-2503							0.76	
74057-2508	25	150	25	50.00	48.00		1.27	
74057-1004							0.76	
74057-1009	10	60	10	20.00	18.00		1.27	
74057-1504							0.76	
74057-1509	15	90	15	30.00	28.00	5.15	1.27	
74057-2504							0.76	
74057-2509	25	150	25	50.00	48.00		1.27	

LEAD FREE
(FORMERLY TIN/LEAD) CHART

SIGNAL COLUMN DAUGHTERCARD CONNECTOR SIDE LEAD FREE CHART



74057 - * * 0 *

NUMBER OF COLUMNS/PLATING

10 = 10 COLUMN MATTE TIN (FORMERLY TIN/LEAD)
 15 = 15 COLUMN MATTE TIN (FORMERLY TIN/LEAD)
 25 = 25 COLUMN MATTE TIN (FORMERLY TIN/LEAD)
 60 = 10 COLUMN MATTE TIN (MAPS)
 65 = 15 COLUMN MATTE TIN (MAPS)
 70 = 25 COLUMN MATTE TIN (MAPS)
 90 = 10 COLUMN MATTE TIN
 95 = 15 COLUMN MATTE TIN
 85 = 25 COLUMN MATTE TIN

PIN HEIGHT

1 & 6 = 4.75
 2 & 7 = 6.25
 3 & 8 = 4.25
 4 & 9 = 5.15

SEE SHEET 1 EC NO: UCP2013-0687 DRAWINGS 2012/08/21 CHKD:MWLF 2012/10/16 APPR:SMILLER 2012/12/14	QUALITY SYMBOLS	GENERAL TOLERANCES (UNLESS SPECIFIED)	DIMENSION STYLE MM ONLY	SCALE 2.5:1	DESIGN UNITS METRIC	THIRD ANGLE PROJECTION
	▽=0	mm INCH	DRAWN BY DATE MWANG 1998/11/09	TITLE VHDM 6 ROW OPEN END BACKPLANE SALES ASSEMBLY		
	▽=0	4 PLACES ± --- ± --- 3 PLACES ± --- ± --- 2 PLACES ± 0.25 ± --- 1 PLACE ± 0.38 ± --- 0 PLACE ± --- ± ---	CHECKED BY DATE JLAURX 1998/11/09			
	▽=0	ANGULAR ±1/2°	APPROVED BY DATE SMILLER 2012/05/23	MATERIAL NO. SEE TABLE	DOCUMENT NO. SD-74057-002	SHEET NO. 2 OF 2
DRAFT WHERE APPLICABLE MUST REMAIN WITHIN DIMENSIONS			THIS DRAWING CONTAINS INFORMATION THAT IS PROPRIETARY TO MOLEX INCORPORATED AND SHOULD NOT BE USED WITHOUT WRITTEN PERMISSION			