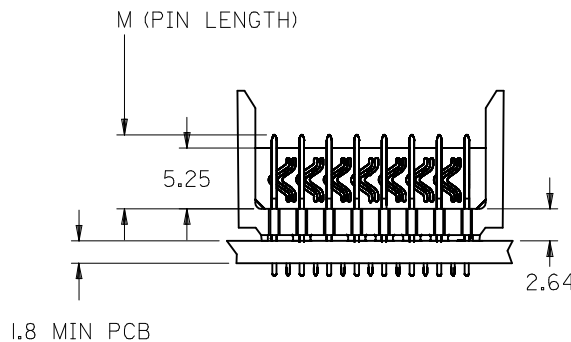
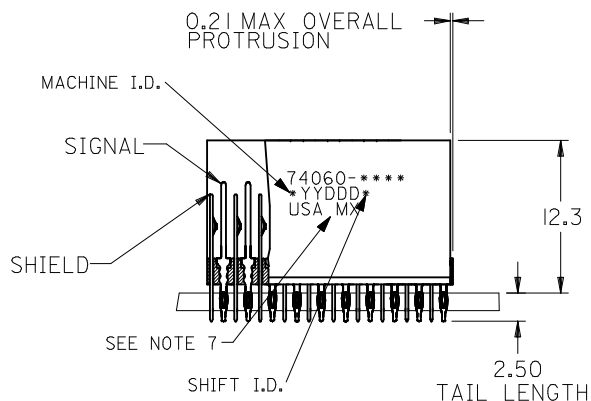


BACKPLANE HOLE PATTERN
RECOMMENDED DIMENSION

NOTES:

1. MATERIALS:
HOUSING - LIQUID CRYSTAL POLYMER (LCP),
GLASS-FILLED, UL 94V-0, COLOR: BLACK
SIGNAL PIN & SHIELD - COPPER ALLOY
2. FINISHES:
CONTACT AREA: SELECTIVE GOLD (Au)
PCB TAILS: SELECTIVE MATTE TIN (Sn)
NICKEL (Ni) OVERALL.
3. THIS PART CONFORMS TO MOLEX PRODUCT SPECIFICATION PS-74031-999
4. FOR MIXED CONTACT LENGTHS CONSULT MOLEX FOR AVAILABILITY
5. FOR SPECIFIC MATERIAL NUMBERS & MATING INFORMATION REFER TO SHEET 2
6. PACKAGE PER PK-74060-003
7. EITHER MARK PART WITH PART NUMBER & DATE CODE APPROXIMATELY WHERE SHOWN OR PLACE LABEL ON THE TUBE.
8. MAPS (MOLEX ADVANCED PLATING SYSTEM)



THE PRIMARY CARTON WITH A LABEL STATING "ELV AND RoHS COMPLAINT" IS LEAD FREE. CARTONS WITHOUT THIS LABEL MAY CONTAIN LEAD.

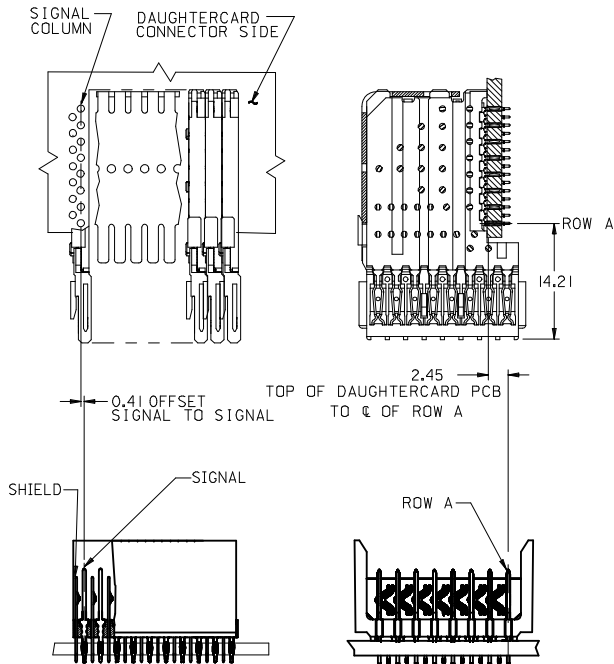
| | | | | | | | | | |
|--|--------------------------------------|---|----------------------|-----------------------------------|------------------------|---|----------------------------------|-------------------------------------|---------------------|
| LEAD FREE CONVERSION EC NO: UCP2013-0687 DRWNR:WHIPPLE 2012/11/30 CHKCD:MWOLFE 2012/11/30 APPR:SMILLER 2012/12/14 | QUALITY SYMBOLS F=0 F=0 F=0 | GENERAL TOLERANCES (UNLESS SPECIFIED) | | DIMENSION STYLE MM ONLY | | SCALE 2.5:1 | DESIGN UNITS METRIC | THIRD ANGLE PROJECTION | |
| | | mm | INCH | DRAWN BY MWANG | DATE 1998/11/09 | VHDM 8 ROW OPEN END BACKPLANE SALES ASSEMBLY molex | | | |
| | | 4 PLACES ± --- ± --- | 3 PLACES ± --- ± --- | CHECKED BY JLAURX | DATE 1998/11/09 | | | | |
| | | 2 PLACES ±0.38 ±--- | 1 PLACE ±0.25 ±--- | 0 PLACE ± --- ±--- | APPROVED BY SMILLER | DATE 2012/09/07 | MATERIAL NO. SEE SHT.2 | DOCUMENT NO. SD-74060-002 | SHEET NO. 1 OF 2 |
| ANGULAR ±1/2° DRAFT WHERE APPLICABLE MUST REMAIN WITHIN DIMENSIONS | | THIS DRAWING CONTAINS INFORMATION THAT IS PROPRIETARY TO MOLEX INCORPORATED AND SHOULD NOT BE USED WITHOUT WRITTEN PERMISSION | | | | | | | |

MATERIAL NUMBER ASSIGNMENT

74060-*** **

SEE TABLE

NUMBER OF COLUMNS/PLATING
 10 = 10 COLUMN MATTE TIN (FORMERLY TIN/LEAD)
 25 = 25 COLUMN MATTE TIN (FORMERLY TIN/LEAD)
 60 = 10 COLUMN MATTE TIN (MAPS)
 75 = 25 COLUMN MATTE TIN (MAPS)
 90 = 10 COLUMN MATTE TIN
 85 = 25 COLUMN MATTE TIN



| PART NUMBER | COLUMN | NUMBER OF SIGNAL PIN | NUMBER OF SHIELD | A | B | M | GOLD THICKNESS MICROMETER | TIN THICKNESS MICROMETER |
|-------------------|--------|----------------------|------------------|-------|-------|------|---------------------------|--------------------------|
| 74060-60*1 | 10 | 80 | 10 | 20.00 | 18.00 | 4.75 | 0.25 MAPS | 0.76-1.52 |
| 74060-*0*1 | | | | | | | 0.76 | |
| 74060-*0*6 | | | | | | | 1.27 | |
| 74060-75*1 | 25 | 200 | 25 | 50.00 | 48.00 | | 0.25 MAPS | |
| 74060-*5*1 | | | | | | | 0.76 | |
| 74060-*5*6 | | | | | | | 1.27 | |
| 74060-60*2 | 10 | 80 | 10 | 20.00 | 18.00 | 6.25 | 0.25 MAPS | |
| 74060-*0*2 | | | | | | | 0.76 | |
| 74060-*0*7 | | | | | | | 1.27 | |
| 74060-75*2 | 25 | 200 | 25 | 50.00 | 48.00 | | 0.25 MAPS | |
| 74060-*5*2 | | | | | | | 0.76 | |
| 74060-*5*7 | | | | | | | 1.27 | |
| 74060-60*3 | 10 | 80 | 10 | 20.00 | 18.00 | 4.25 | 0.25 MAPS | |
| 74060-*0*3 | | | | | | | 0.76 | |
| 74060-*0*8 | | | | | | | 1.27 | |
| 74060-75*3 | 25 | 200 | 25 | 50.00 | 48.00 | | 0.25 MAPS | |
| 74060-*5*3 | | | | | | | 0.76 | |
| 74060-*5*8 | | | | | | | 1.27 | |
| 74060-60*4 | 10 | 80 | 10 | 20.00 | 18.00 | 5.15 | 0.25 MAPS | |
| 74060-*0*4 | | | | | | | 0.76 | |
| 74060-*0*9 | | | | | | | 1.27 | |
| 74060-75*4 | 25 | 200 | 25 | 50.00 | 48.00 | | 0.25 MAPS | |
| 74060-*5*4 | | | | | | | 0.76 | |
| 74060-*5*9 | | | | | | | 1.27 | |

| | | | | | | |
|---|-----------------------|---|------------------|-------|--------------|--|
| SEE SHEET 1 EC NO: UCP2013-0687 DRWN:RWHIPPLE 2012/11/30 CHKD:MMOLFE 2012/11/30 APPR:SMILLER 2012/12/14 | QUALITY SYMBOLS | GENERAL TOLERANCES (UNLESS SPECIFIED) | DIMENSION STYLE | SCALE | DESIGN UNITS | THIRD ANGLE PROJECTION |
| | ▽E=0 | mm INCH | MM ONLY | 2.5:1 | METRIC | |
| | ▽E=0 | 4 PLACES ± --- ± --- | DRAWN BY DATE | | | |
| | ▽E=0 | 3 PLACES ± --- ± --- | MWANG 1998/11/09 | | | |
| | 2 PLACES ± 0.38 ± --- | CHECKED BY DATE | | | | VHDM 8 ROW OPEN END BACKPLANE SALES ASSEMBLY molex |
| | 1 PLACE ± 0.25 ± --- | JLAURX 1998/11/09 | | | | |
| | 0 PLACE ± --- ± --- | APPROVED BY DATE | | | | DOCUMENT NO. SD-74060-002 SHEET NO. 2 OF 2 |
| | | SMILLER 2012/09/07 | | | | |
| | | ANGULAR ± 1/2° DRAFT WHERE APPLICABLE MUST REMAIN WITHIN DIMENSIONS | MATERIAL NO. | | | |
| | | | SEE TABLE | | | |
| | | | SIZE B | | | |