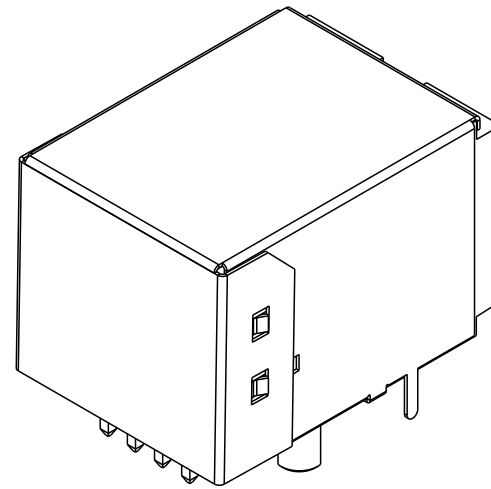
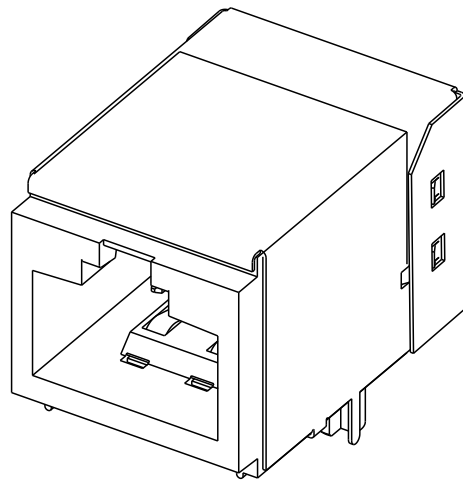


PRODUCT NUMBER
74355



Copyright FCI.

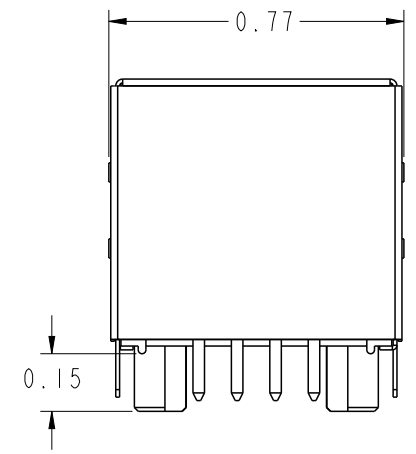
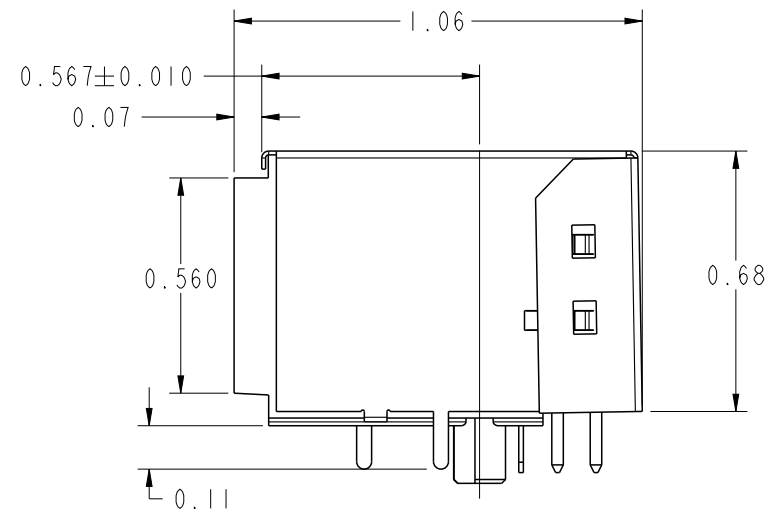
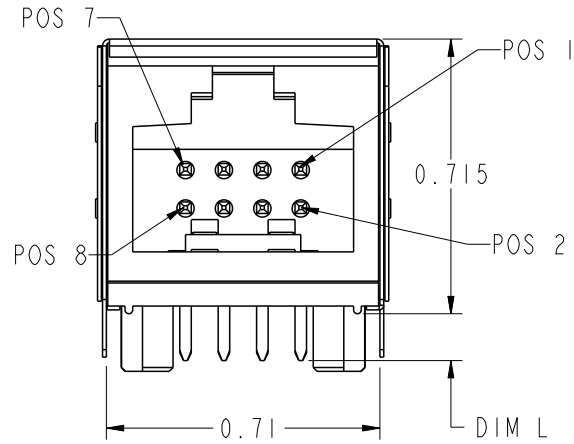
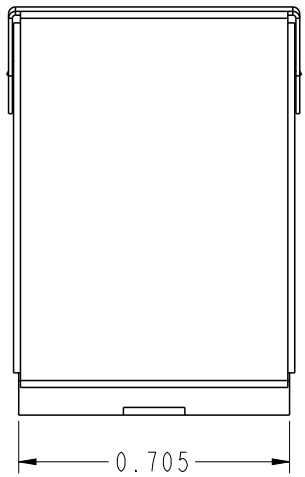
spec ref		-		dr	Keen Wu	2010/11/05	projection 	INCH 	size	A4	scale	2:1
tolerance std	TOLERANCES UNLESS OTHERWISE SPECIFIED			eng	Janmy Zhou	2012/01/12			ecn no	ELX-N-007000-1		
	ISO1101			chr	-	-				rel level		Released
ISO406				appr	Rick Bian	2012/01/12	product family		-			
surface <input checked="" type="checkbox"/>	linear	0.X	±.01		title	2X4 LNL SHIELDED		dwg no	74355		rev	R
		0.XX	±.005			HEADER ASSEMBLY						
		0.XXX	±.0020			cat. no.			-	Product - Customer Drw		
ISO1302	angular	0°	±2°	www.fci.com								

Print File - REV C - 2009-06-09



Copyright FCI.

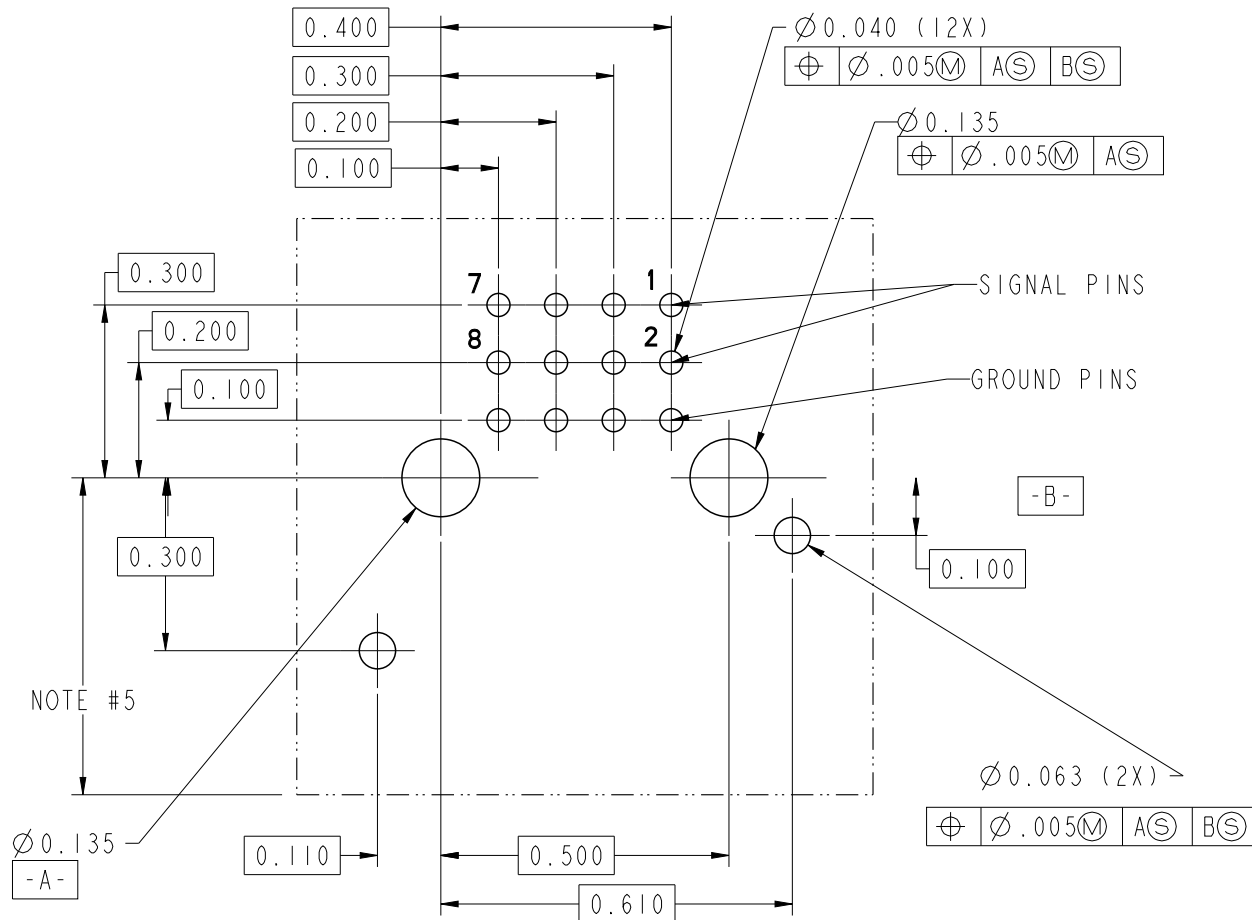
PRODUCT NUMBER
74355



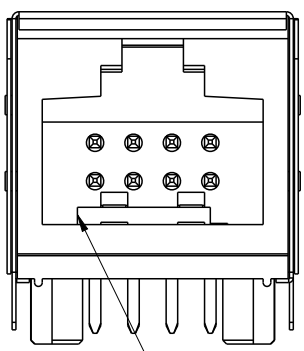
spec ref		-		dr	Keen Wu	2010/11/05	projection 	INCH ←→	size	A4	scale	2:1	
tolerance std		TOLERANCES UNLESS OTHERWISE SPECIFIED		eng	Janmy Zhou	2012/01/12			ecn no	ELX-N-007000-1			
ISO1101 ISO406				chr	-	-			rel level	Released			
surface	ISO1302	linear	0.X	±.01	FCI	title	2X4 LNL SHIELDED HEADER ASSEMBLY		dwg no	74355		rev	R
			0.XX	±.005									
			0.XXX	±.0020									
		angular	0°	±2°	www.fci.com	cat. no.	-	Product - Customer Drw		sheet 2 of 5			

Prod File - REV C - 2009-06-09

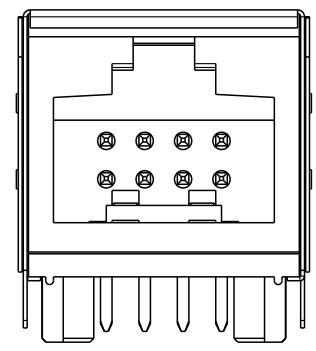
COMPONENT SIDE



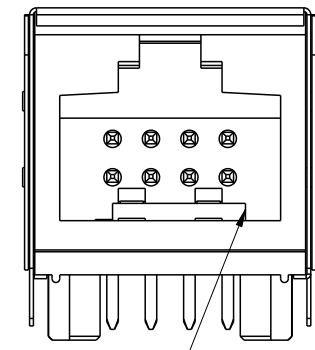
spec ref		-		dr	Keen Wu	2010/11/05	projection 	INCH 	size	A4	scale	2:1	
tolerance std		TOLERANCES UNLESS OTHERWISE SPECIFIED		eng	Janmy Zhou	2012/01/12			ecn no	ELX-N-007000-1			
ISO1101 ISO406				chr	-	-			rel level	Released			
surface	ISO1302	linear	0.X	$\pm .01$		title	2X4 LNL SHIELDED HEADER ASSEMBLY		dwg no	74355		rev	R
			0.XX	$\pm .005$									
			0.XXX	$\pm .0020$									
		angular	0°	$\pm 2^\circ$	www.fci.com	cat. no.	-	Product - Customer Drw		sheet 3 of 5			



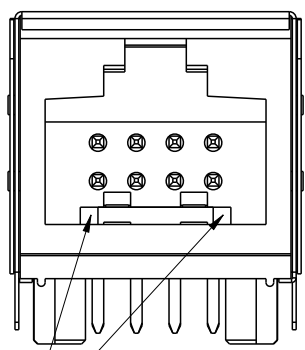
KEY POSITION 1
SCALE 2:1



NO KEY
SCALE 2:1



KEY POSITION 2
SCALE 2:1



KEY POSITION 3



Copyright FCI.

spec ref		-		dr	Keen Wu	2010/11/05	projection 	INCH 	size	A4	scale	2:1
tolerance std		TOLERANCES UNLESS OTHERWISE SPECIFIED		eng	Janmy Zhou	2012/01/12			ecn no	ELX-N-007000-1		
ISO1101 ISO406				chr	-	-			rel level	Released		
surface	linear	0.X	±.01	FCI 	title	2X4 LNL SHIELDED HEADER ASSEMBLY		dwg no	74355		rev	R
		0.XX	±.005									
		0.XXX	±.0020									
ISO1302	angular	0°	±2°	www.fci.com	cat. no.	-	Product - Customer Drw		sheet 4 of 5			

PreE File - REV C - 2009-06-09

74355-XYZZLF

LEAD FREE OPTION (NOTES 9 & 10)

KEY POSITION (NOTE 7)

- STD NO KEY	(NOTE 8)
1-KEY POSITION 1	(NOTE 7)
2-KEY POSITION 2	(NOTE 7)
3-KEY POSITION 3	(NOTE 7)

COLOR

01 LIGHT GRAY	OBS.
02 OFF WHITE	
03 DARK GRAY	OBS.
04 BLACK	
05 SLATE GRAY	OBS.
07 SILVER GRAY	
08 PEARL WHITE	OBS.
09 PEBBLE GRAY	

PIN LENGTH LEY (DIM L)

0	.200/5.08
1	.130/3.30

NOTES:

- HEADER SHROUD
MAT'L: HIGH TEMPERATURE THERMOPLASTIC
UL-94V-0 RATED.
- GROUND CONTACT
MAT'L: COPPER ALLOY
PLATING: 100-160 MICRO"/2.54-4.06 MICRON Sn.
- SIGNAL CONTACT
MAT'L: COPPER ALLOY
PLATING: PERFORMANCE PLATING WILL BE EITHER GOLD OR GXT
ON CONTACT AREA OR TAIL, OPTIONALLY (78-295u") TIN ON TAIL.
- HEADER SHIELD
MAT'L: COPPER ALLOY
PLATING: 100 MICRO"/2.54 MICRON BRIGHT
TIN OVER 50 MICRO"/1.27 MICRON NICKEL
- LOCATION DIMENSION FROM EDGE OF PCB
TO BE DETERMINED BY CUSTOMER.
- THIS ASSEMBLY IS UL RECOGNIZED PER FILE
E66906, VOL. 1, SECT 40 AND CSA
APPROVED PER MASTER FILE NO. LR 46923-162
- MUST USE PLUG OF THE SAME KEY.
KEYED PLUGS WILL MATE WITH STANDARD HEADER.
- OMIT 4th DIGIT FOR STD NO KEY PRODUCT
- ADD LF SUFFIX AT THE END OF PART NUMBER FOR LEAD FREE OPTION
AND THE HOUSING WILL WITHSTAND EXPOSURE TO 260°C PEAK TEMPERATURE
FOR 15 SECONDS IN A WAVE SOLDER APPLICATION WITH A 1.5MM
MINIMUM THICK CIRCUIT BOARD.
- THIS PRODUCT MEETS EUROPEAN UNION DIRECTIVES AND OTHER
COUNTRY REGULATION AS DESCRIBED IN GS-22-008.
- PRODUCT SPEC: gs-12-003
- PART NUMBER WITH SUFFIX "A" IS CUSTOM TO INTENDED FOR FMLB
EXAMPLE: 74355-1041ALF



Copyright FCI.

spec ref -		dr Keen Wu 2010/11/05		projection		size A4		scale 2:1															
tolerance std ISO1101 ISO406		eng Janmy Zhou 2012/01/12						ecn no ELX-N-007000-1															
TOLERANCES UNLESS OTHERWISE SPECIFIED		chr -						rel level Released															
surface <input checked="" type="checkbox"/>		appr Rick Bian 2012/01/12		product family -		dwg no 74355		rev R															
ISO1302		<table border="1"> <tr> <td>linear</td> <td>0.X</td> <td>±.01</td> </tr> <tr> <td></td> <td>0.XX</td> <td>±.005</td> </tr> <tr> <td></td> <td>0.XXX</td> <td>±.0020</td> </tr> <tr> <td>angular</td> <td>0°</td> <td>±2°</td> </tr> </table>		linear	0.X	±.01		0.XX	±.005		0.XXX	±.0020	angular	0°	±2°			title 2X4 LNL SHIELDED HEADER ASSEMBLY		Product - Customer Drw		sheet 5 of 5	
linear	0.X	±.01																					
	0.XX	±.005																					
	0.XXX	±.0020																					
angular	0°	±2°																					
		www.fci.com		cat. no. -		STATUS:Released		Printed: Jan 12, 2012															