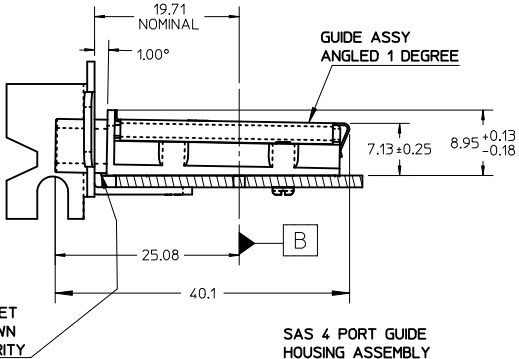


- NOTES:**
- REF. PCI EXPRESS CARD ELECTROMECHANICAL SPECIFICATION, REV 1.0a FOR BRACKET WINDOW LOCATION.
  - PCB AND BRACKET SHOWN FOR REFERENCE ONLY.
  - REF. SD-74547-100 FOR KEY POSITIONS
  - GUIDE HOUSING MOUNTING THREAD= M2 X 0.40, SEE SHEET 3 FOR SCREW LENGTH + TORQUE SPEC.
  - PLATE GROUND PAD WITH EMERSON SILVER OR GOLD.
  - MATERIAL:  
GUIDE HOUSING - ZINC DIECAST, NICKEL PLATED  
COVER - STAINLESS STEEL
  - THIS PRODUCT MEETS THE RESTRICTION OF HAZARDOUS SUBSTANCES IN ELECTRICAL AND ELECTRONIC EQUIPMENT (RoHS) DIRECTIVE (2002/95/EC)
  - GUIDE HOUSING PEGS FOR ALIGNMENT ONLY, DO NOT SOLDER.

PART NUMBER	SW	OAW	PORT SIZE	KEY(S) PORT1	KEY(S) PORT2	KEY(S) PORT3	KEY(S) PORT4	IDENTIFIERS
745480100	76.29	79.99	4	1	1	1	1	SATA - 'X' CABLES
745480103	76.29	79.99	4	2,4	2,4	2,4	2,4	SAS OUT PORT/END DEVICE
745480104	76.29	79.99	4	4,6	4,6	4,6	4,6	SAS IN PORT/END DEVICE
745480105	76.29	79.99	4	4	4	4	4	SAS UNIVERSAL PORT
745480112	76.29	79.99	4	7	7	7	7	SATA - 'M' CABLES
745480117	76.29	79.99	4	2	2	2	2	SAS - OUT PORT
745480120	76.29	79.99	4	6	6	6	6	SAS - IN PORT



**UPDATE TOL & CHART**  
 EC NO: USY2012-0324  
 DRAWN: IPRATT 2011/09/20  
 CHKD: CHKHAN  
 APPR: RPKHAN 2011/09/23

QUALITY SYMBOLS  
 ▽=0  
 ▽=0

GENERAL TOLERANCES (UNLESS SPECIFIED)

	mm	INCH
4 PLACES	± ---	± ---
3 PLACES	± ---	± ---
2 PLACES	± 0.13	± ---
1 PLACE	± 0.25	± ---
ANGULAR ±1/2°		

DRAFT WHERE APPLICABLE MUST REMAIN WITHIN DIMENSIONS

DIMENSION STYLE  
**MM ONLY**

DRAWN BY: SNAVARRO  
 DATE: 2006/05/26

CHECKED BY: BREED  
 DATE: 2006/05/26

APPROVED BY: DDOYE  
 DATE: 2006/05/26

MATERIAL NO. SEE CHART

SCALE: 1:1  
 DESIGN UNITS: METRIC  
 THIRD ANGLE PROJECTION

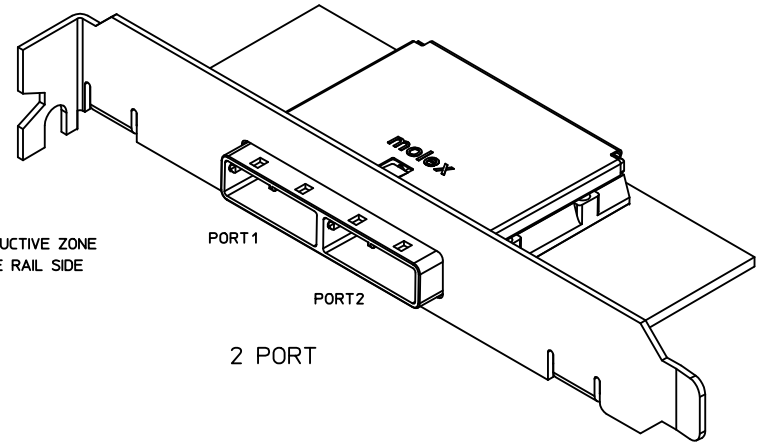
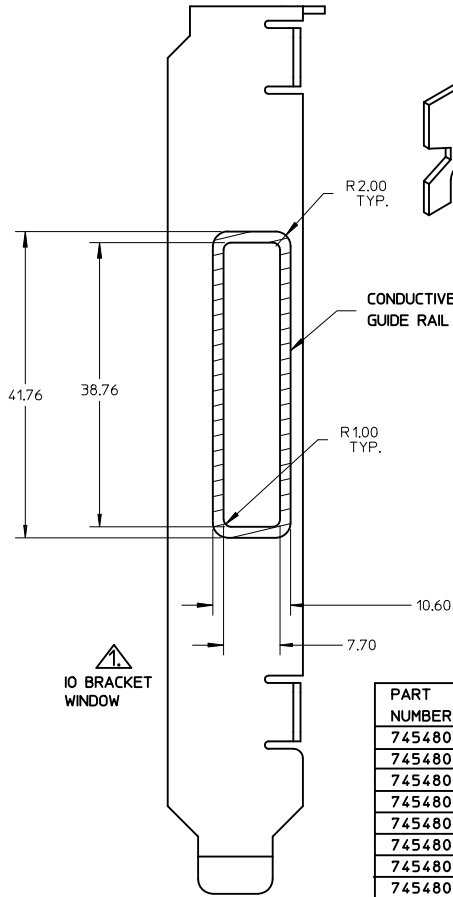
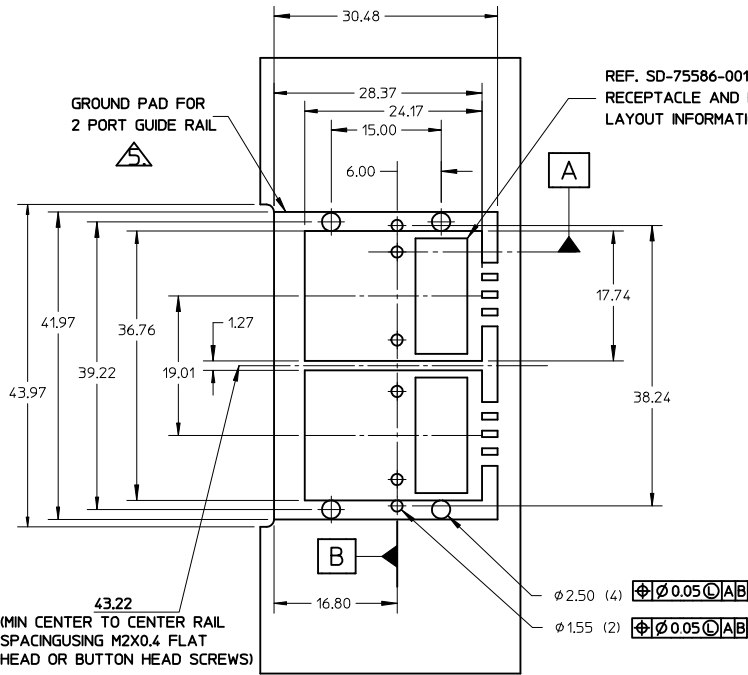
**I-PASS™** is a Trademark of Molex, Inc.

**I-PASS 26CKT ONE DEG. EMI GUIDE RAIL HOUSING ASSEMBLY, MULTI PORT**

**MOLEX INCORPORATED**

DOCUMENT NO. SD-74548-100  
 SHEET NO. 1 OF 3

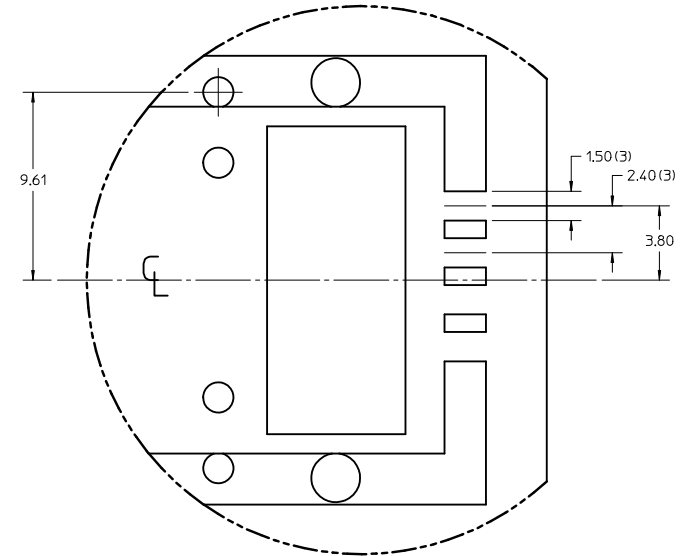
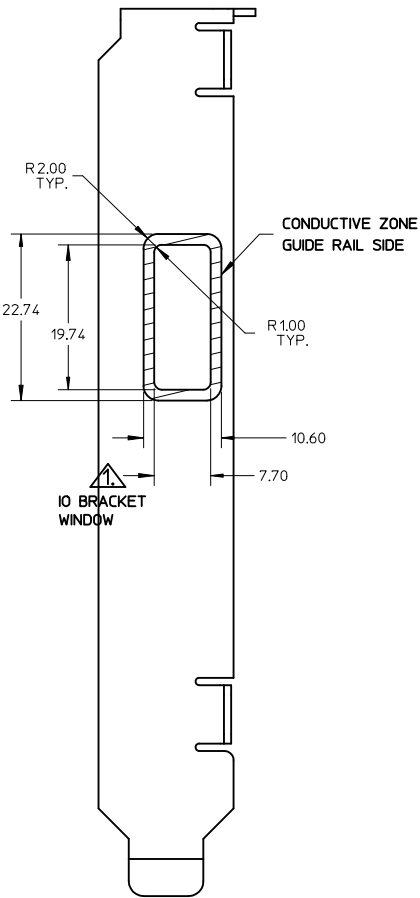
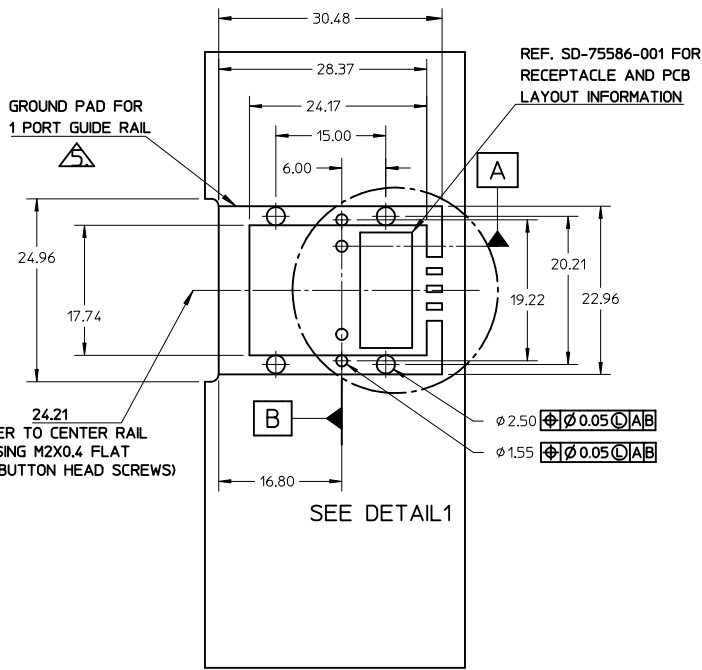
THIS DRAWING CONTAINS INFORMATION THAT IS PROPRIETARY TO MOLEX INCORPORATED AND SHOULD NOT BE USED WITHOUT WRITTEN PERMISSION



PART NUMBER	SW	OAW	PORT SIZE	KEY(S) PORT 1	KEY(S) PORT 2	IDENTIFIERS
745480102	38.26	41.96	2	1	1	SATA - 'X' CABLES
745480106	38.26	41.96	2	2,4	2,4	SAS OUT PORT/END DEVICE
745480107	38.26	41.96	2	4,6	4,6	SAS IN PORT/END DEVICE
745480108	38.26	41.96	2	4	4	SAS UNIVERSAL PORT
745480113	38.26	41.96	2	7	7	SATA - 'M' CABLES
745480115	38.26	41.96	2	4,6	2,4	SAS IN PORT - SAS OUT PORT
745480116	38.26	41.96	2	2,4	4,6	SAS OUT PORT - SAS IN PORT
745480118	38.26	41.96	2	2	2	SAS - OUT PORT
745480121	38.26	41.96	2	6	6	SAS - IN PORT
745480124	38.26	41.96	2	3	3	SRIO

iPass™ is a Trademark of Molex, Inc.

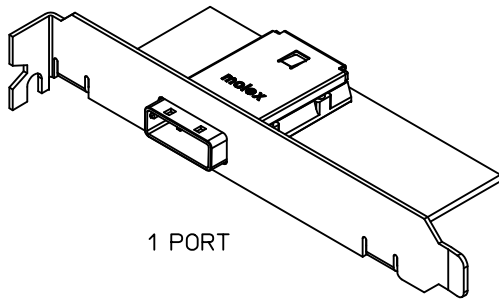
UPDATE TOL & CHART EC NO: USY2012-0324 DRWN: IPRATT CHKD: APPR: RMKHAN 2011/09/20 2011/09/23	QUALITY SYMBOLS	GENERAL TOLERANCES (UNLESS SPECIFIED)	DIMENSION STYLE	SCALE	DESIGN UNITS	THIRD ANGLE PROJECTION
	$\nabla=0$ $\nabla 7=0$	mm INCH 4 PLACES $\pm$ --- $\pm$ --- 3 PLACES $\pm$ --- $\pm$ --- 2 PLACES $\pm 0.13$ $\pm$ --- 1 PLACE $\pm 0.25$ $\pm$ --- ANGULAR $\pm 1/2^\circ$	MM ONLY	1:1	METRIC	
		DRAFT WHERE APPLICABLE MUST REMAIN WITHIN DIMENSIONS	DRAWN BY: SNAVARRO CHECKED BY: BREED APPROVED BY: DDOYE DATE: 2006/05/26 DATE: 2006/05/26 DATE: 2006/05/26	TITLE	I-PASS 26CKT ONE DEG. EMI GUIDE RAIL HOUSING ASSEMBLY, MULTI PORT MOLEX INCORPORATED	
			MATERIAL NO.	DOCUMENT NO.	SHEET NO.	
			SEE CHART	SD-74548-100	2 OF 3	
			THIS DRAWING CONTAINS INFORMATION THAT IS PROPRIETARY TO MOLEX INCORPORATED AND SHOULD NOT BE USED WITHOUT WRITTEN PERMISSION			



DETAIL 1  
SCALE 4:1

PCB THICKNESS	SCREW LENGTH	TORQUE (IN LBS)
1.6 (.063")	5MM	2.3
2.38 (.093")	6MM	2.3
3.2 (.125")	6MM	2.3
X	+4MM MAX	2.3

PART NUMBER	SW	OAW	PORT SIZE	KEY(S)	IDENTIFIERS
745480101	19.24	22.95	1	1	SATA - 'X' CABLES
745480109	19.24	22.95	1	2,4	SAS OUT PORT/END DEVICE
745480110	19.24	22.95	1	4,6	SAS IN PORT/END DEVICE
745480111	19.24	22.95	1	4	SAS UNIVERSAL PORT
745480114	19.24	22.95	1	7	SATA - 'M' CABLES
745480119	19.24	22.95	1	2	SAS - OUT PORT
745480122	19.24	22.95	1	6	SAS - IN PORT
745480125	19.24	22.95	1	3	SRIO



1 PORT

iPass™ is a Trademark of Molex, Inc.

UPDATE TOL & CHART EC NO: USY2012-0324 DRWN:TPRATT CHKD: APPR:RMKHAN 2011/09/20 2011/09/23	DESCRIPTION REV	QUALITY SYMBOLS ▽=0 ▽=0	GENERAL TOLERANCES (UNLESS SPECIFIED) mm INCH 4 PLACES ± --- ± --- 3 PLACES ± --- ± --- 2 PLACES ± 0.13 ± --- 1 PLACE ± 0.25 ± --- ANGULAR ±1/2°	DIMENSION STYLE MM ONLY DRAWN BY DATE SNAVARRO 2006/05/26 CHECKED BY DATE BREED 2006/05/26 APPROVED BY DATE DDOYE 2006/05/26	SCALE 1:1 DESIGN UNITS METRIC THIRD ANGLE PROJECTION	TITLE I-PASS 26CKT ONE DEG. EMI GUIDE RAIL HOUSING ASSEMBLY, MULTI PORT
		DRAFT WHERE APPLICABLE MUST REMAIN WITHIN DIMENSIONS	MATERIAL NO. SEE CHART	DOCUMENT NO. SD-74548-100	SHEET NO. 3 OF 3	
		THIS DRAWING CONTAINS INFORMATION THAT IS PROPRIETARY TO MOLEX INCORPORATED AND SHOULD NOT BE USED WITHOUT WRITTEN PERMISSION				
		MOLEX INCORPORATED				