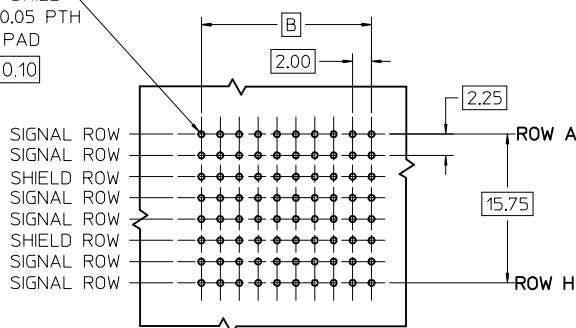
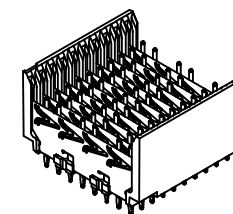


$\phi 0.66$ DRILL
 $\phi 0.56 \pm 0.05$ PTH
 $\phi 1.00$ PAD
 $\phi 0.10$

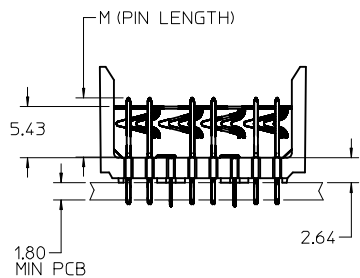
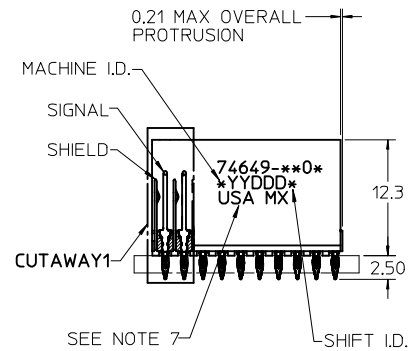


**BACKPLANE HOLE PATTERN
RECOMMENDED DIMENSION**



NOTES:

1. MATERIAL:
HOUSING -LIQUID CRYSTAL POLYMER (LCP), GLASS-FILLED. UL 94V-0. COLOR BLACK. SIGNAL PIN & SHIELD -HIGH PERFORMANCE COPPER ALLOY.
2. FINISHES:
CONTACT AREA: SELECTIVE GOLD (Au)
PCB TAILS: SELECTIVE MATTE TIN (Sn)
NICKEL (Ni) OVERALL.
3. THIS PART CONFORMS TO MOLEX PRODUCT SPECIFICATION PS-74031-999.
4. FOR MIXED CONTACT MATING LENGTHS CONSULT MOLEX FOR AVAILABILITY.
5. FOR SPECIFIC PART NUMBERS AND MATING INFORMATION REFER TO SHEET 2.
6. PACKAGE PER PK-74060-003.
7. EITHER MARK PART NUMBER AND DATE CODE APPROXIMATELY WHERE SHOWN OR PLACE LABEL ON THE TUBE.
8. MAPS (MOLEX ADVANCED PLATING SYSTEM).



THE PRIMARY CARTON WITH A LABEL STATING "ELV AND RoHS COMPLIANT" IS LEAD FREE. CARTONS WITHOUT THIS LABEL MAY CONTAIN LEAD.

LEAD FREE CONVERSION EC NO: UCP2013-0687 DRAWINGS: 2012/08/24 CHKD: MWLFE 2012/11/27 APPR: SMILLER 2012/12/14	QUALITY SYMBOLS $\nabla = 0$ $\nabla = 0$ $\nabla = 0$	GENERAL TOLERANCES (UNLESS SPECIFIED) <table border="1"> <tr> <th></th> <th>mm</th> <th>INCH</th> </tr> <tr> <td>4 PLACES</td> <td>\pm---</td> <td>\pm---</td> </tr> <tr> <td>3 PLACES</td> <td>\pm---</td> <td>\pm---</td> </tr> <tr> <td>2 PLACES</td> <td>\pm---</td> <td>\pm---</td> </tr> <tr> <td>1 PLACE</td> <td>\pm---</td> <td>\pm---</td> </tr> <tr> <td>0 PLACE</td> <td>\pm</td> <td>\pm</td> </tr> </table>		mm	INCH	4 PLACES	\pm ---	\pm ---	3 PLACES	\pm ---	\pm ---	2 PLACES	\pm ---	\pm ---	1 PLACE	\pm ---	\pm ---	0 PLACE	\pm	\pm	DIMENSION STYLE MM ONLY DRAWN BY: MOWANG DATE: 2001/05/21 CHECKED BY: JLAURX DATE: 2001/05/25 APPROVED BY: CBIXLER DATE: 2001/05/25	SCALE: 2.5:1 DESIGN UNITS: METRIC THIRD ANGLE PROJECTION	TITLE: HSD SALES ASSEMBLY 8 ROW ADVANCED MATE OPEN END BACKPLANE molex DOCUMENT NO. SD-74649-003	SHEET NO. 1 OF 2
		mm	INCH																					
	4 PLACES	\pm ---	\pm ---																					
	3 PLACES	\pm ---	\pm ---																					
2 PLACES	\pm ---	\pm ---																						
1 PLACE	\pm ---	\pm ---																						
0 PLACE	\pm	\pm																						
DESCRIPTION:	ANGULAR $\pm 1/2^\circ$	DRAFT WHERE APPLICABLE MUST REMAIN WITHIN DIMENSIONS	SEE SHEET 2	THIS DRAWING CONTAINS INFORMATION THAT IS PROPRIETARY TO MOLEX INCORPORATED AND SHOULD NOT BE USED WITHOUT WRITTEN PERMISSION																				
REV:			SIZE: C																					

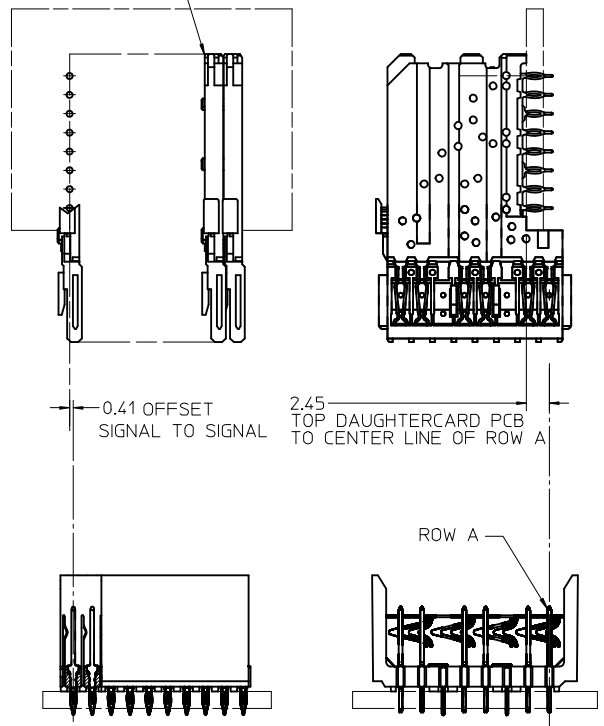
MATERIAL NUMBER ASSIGNMENT

74649-**0*

SEE TABLE

- 11 = 10 COLUMN MATTE TIN (FORMERLY TIN/LEAD)
- 26 = 25 COLUMN MATTE TIN (FORMERLY TIN/LEAD)
- 61 = 10 COLUMN MATTE TIN (MAPS)
- 76 = 25 COLUMN MATTE TIN (MAPS)
- 91 = 10 COLUMN MATTE TIN
- 86 = 25 COLUMN MATTE TIN

DAUGHTERCARD CONNECTOR SIDE



PART NUMBER	COLUMN	NUMBER OF SIGNAL PIN	NUMBER OF SHIELD	A	B	M	GOLD THICKNESS MICROMETER	TIN THICKNESS MICROMETER
74649-6101							0.25 MAPS	
74649-*101	10	60	10	20.00	18.00	4.75	0.76	0.76-1.52
74649-*106							1.27	
74649-7601							0.25 MAPS	
74649-*601	25	150	25	50.00	48.00	6.25	0.76	
74649-*606							1.27	
74649-6102							0.25 MAPS	
74649-*102	10	60	10	20.00	18.00	4.25	0.76	
74649-*107							1.27	
74649-7602							0.25 MAPS	
74649-*602	25	150	25	50.00	48.00	5.15	0.76	
74649-*607							1.27	
74649-6103							0.25 MAPS	
74649-*103	10	60	10	20.00	18.00	4.25	0.76	
74649-*108							1.27	
74649-7603							0.25 MAPS	
74649-*603	25	150	25	50.00	48.00	5.15	0.76	
74649-*608							1.27	
74649-6104							0.25 MAPS	
74649-*104	10	60	10	20.00	18.00	4.25	0.76	
74649-*109							1.27	
74649-7604							0.25 MAPS	
74649-*604	25	150	25	50.00	48.00	4.25	0.76	
74649-*609							1.27	

SEE SHEET 1 EC NO: UCP2013-0687 DRAWINGS: 2012/08/24 CHKD:MMOLF 2012/11/27 APPR:SMILLER 2012/12/14 REVISIONS:	QUALITY SYMBOLS	GENERAL TOLERANCES (UNLESS SPECIFIED)	DIMENSION STYLE MM ONLY	SCALE 2.5:1	DESIGN UNITS METRIC	THIRD ANGLE PROJECTION
	▽=0	mm INCH	DRAWN BY DATE MOWANG 2001/05/21	TITLE HSD SALES ASSEMBLY 8 ROW ADVANCED MATE OPEN END BACKPLANE		
	▽=0	4 PLACES ± --- ± ---	CHECKED BY DATE JLAURX 2001/05/25	molex		
	▽=0	3 PLACES ± --- ± ---	APPROVED BY DATE CBIXLER 2001/05/25			
	▽=0	2 PLACES ± --- ± ---	MATERIAL NO. SEE TABLE		DOCUMENT NO. SD-74649-003	SHEET NO. 2 OF 2
▽=0	1 PLACE ± --- ± ---	DRAFT WHERE APPLICABLE MUST REMAIN WITHIN DIMENSIONS				
▽=0	0 PLACE ± ±	THIS DRAWING CONTAINS INFORMATION THAT IS PROPRIETARY TO MOLEX. INCORPORATED AND SHOULD NOT BE USED WITHOUT WRITTEN PERMISSION				