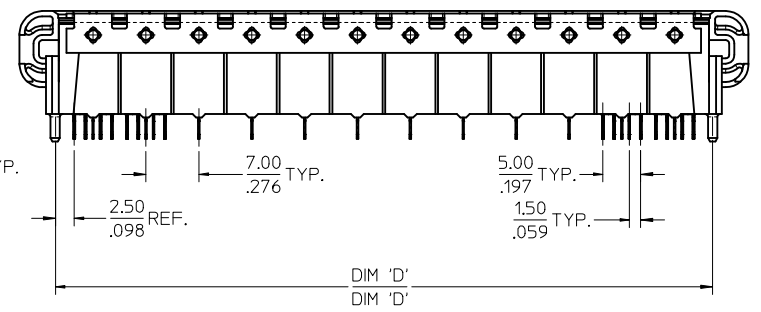
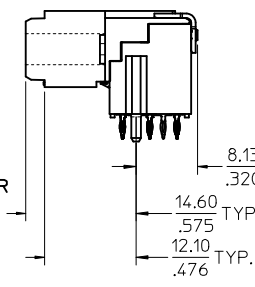
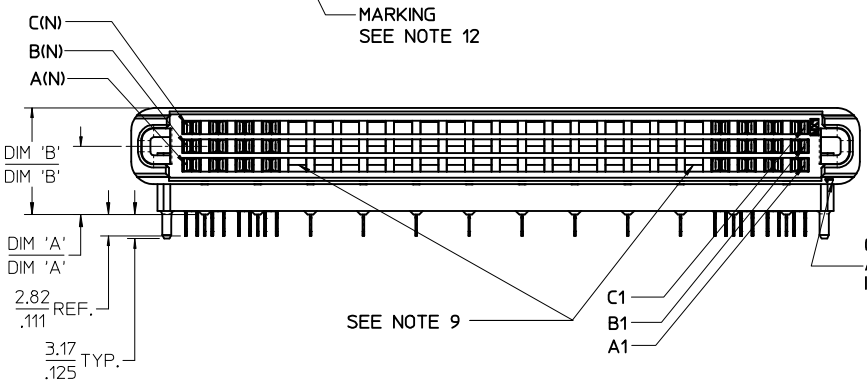
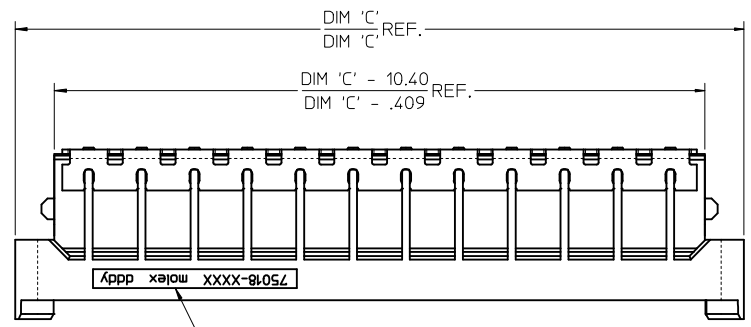
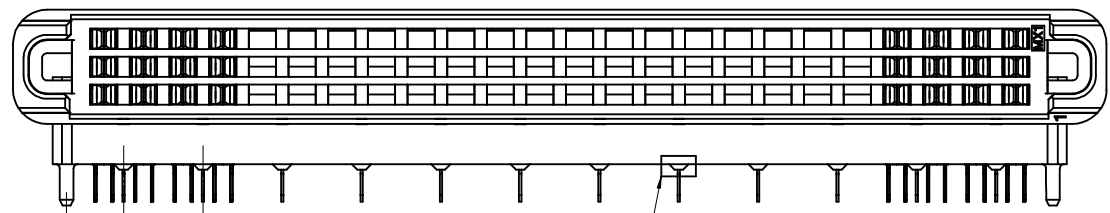


- NOTES:
- 1) MATERIALS:
HOUSING - LIQUID CRYSTAL POLYMER, UL94 V-0
WAFER DIELECTRIC - LIQUID CRYSTAL POLYMER, UL94 V-0
CONTACT - COPPER ALLOY
 - 2) FINISHES:
SEE SHEET 4
 - 3) PRODUCT SPECIFICATION: THIS PART CONFORMS TO MOLEX SPECIFICATION PS-75018-001.
 - 4) PACKAGING SPECIFICATION: THIS PART TO BE PACKAGED PER SPECIFICATION PK-75020-030.
 - 5) APPLICATION SPECIFICATION: THIS PART TO BE APPLIED PER SPECIFICATION PS-75018-001.
APPLICATION TOOL AND INSTRUCTIONS PER AS-75018-001.
 - 6) MATING INFORMATION
THIS PART MATES WITH 75019-XXXX.
WILL MATE WITH MAXIMUM 1.27mm MIS-ALIGNMENT.
WILL MATE WITH MAXIMUM 0.5° MIS-ALIGNMENT.
 - 7) FOR CIRCUIT DESIGNATION SEE SHEET 3
 - 8) FOR PCB INFORMATION SEE SHEET 3
 - 9) CIRCUITS IN THIS ZONE HAVE BEEN OMITTED TO SIMPLIFY THE MODEL. ACTUAL PRODUCT IS FULLY LOADED WITH TERMINALS.
 - 10) APPLICATION TOOLING KEEP OUT AREA. NO COMPONENTS ALLOWED IN THIS AREA.
 - 11) CONFORMS TO MOLEX COSMETIC SPECIFICATION PS-45499-002 & PS-45499-003, CLASS C.
 - 12) MARKING: PART NUMBER, MOLEX LOGO, DATE CODE
 - 13) RECOMMENDED DRILL SIZE 0.66±0.03 TO YIELD FINISHED PLATED THROUGH HOLE OF 0.55±0.05



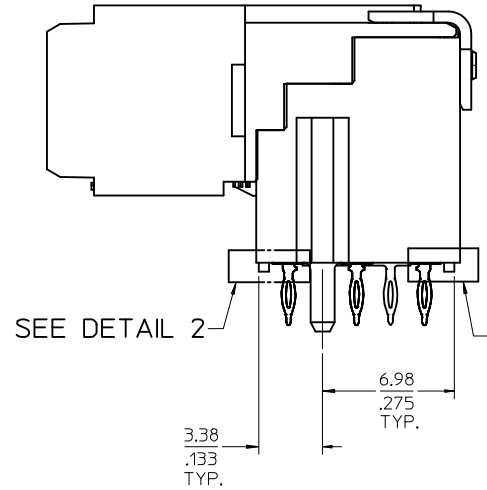
UPDATE TO NEW LOWER HSG EC NO: UCP2014-2233 DRWN:RWHIPPLE 2013/11/20 CHKD:MPFF 2913.11.20 APPR:SMILLER 2013/11/27	QUALITY SYMBOLS 	GENERAL TOLERANCES (UNLESS SPECIFIED) <table border="1"> <thead> <tr> <th></th> <th>mm</th> <th>INCH</th> </tr> </thead> <tbody> <tr> <td>4 PLACES</td> <td>± .005</td> <td>± .0005</td> </tr> <tr> <td>3 PLACES</td> <td>± .01</td> <td>± .001</td> </tr> <tr> <td>2 PLACES</td> <td>± 0.25</td> <td>± .01</td> </tr> <tr> <td>1 PLACE</td> <td>± 0.25</td> <td>± .01</td> </tr> <tr> <td>0 PLACE</td> <td>±</td> <td>±</td> </tr> </tbody> </table>		mm	INCH	4 PLACES	± .005	± .0005	3 PLACES	± .01	± .001	2 PLACES	± 0.25	± .01	1 PLACE	± 0.25	± .01	0 PLACE	±	±	DIMENSION STYLE MM/IN	SCALE 2:1	DESIGN UNITS METRIC	THIRD ANGLE PROJECTION
		mm	INCH																					
	4 PLACES	± .005	± .0005																					
	3 PLACES	± .01	± .001																					
2 PLACES	± 0.25	± .01																						
1 PLACE	± 0.25	± .01																						
0 PLACE	±	±																						
DESCRIPTION PLATEAU HS DOCK FIXED CONNECTOR NO GROUND FINGER	DRAWN BY LANG	DATE 03-OCT-29	MATERIAL NO. SEE TABLE	DOCUMENT NO. SD-75018-011	SHEET NO. 1 OF 5	TITLE PLATEAU HS DOCK FIXED CONNECTOR NO GROUND FINGER molex																		
REV J	DRAFT WHERE APPLICABLE MUST REMAIN WITHIN DIMENSIONS	APPROVED BY BANAK I S	DATE 03-OCT-29	THIS DRAWING CONTAINS INFORMATION THAT IS PROPRIETARY TO MOLEX. INCORPORATED AND SHOULD NOT BE USED WITHOUT WRITTEN PERMISSION																				



5.00
.197
REF.

7.00 TYP.
.276

SEE DETAIL 1

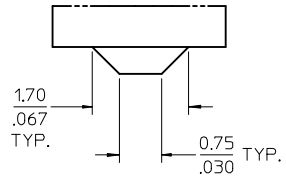


SEE DETAIL 2

SEE DETAIL 3

3.38
.133
TYP.

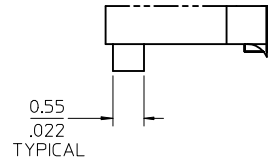
6.98
.275
TYP.



1.70
.067
TYP.

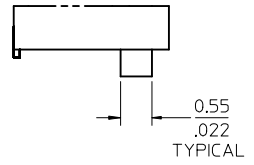
0.75 TYP.
.030

DETAIL 1
SCALE 15:1



0.55
.022
TYPICAL

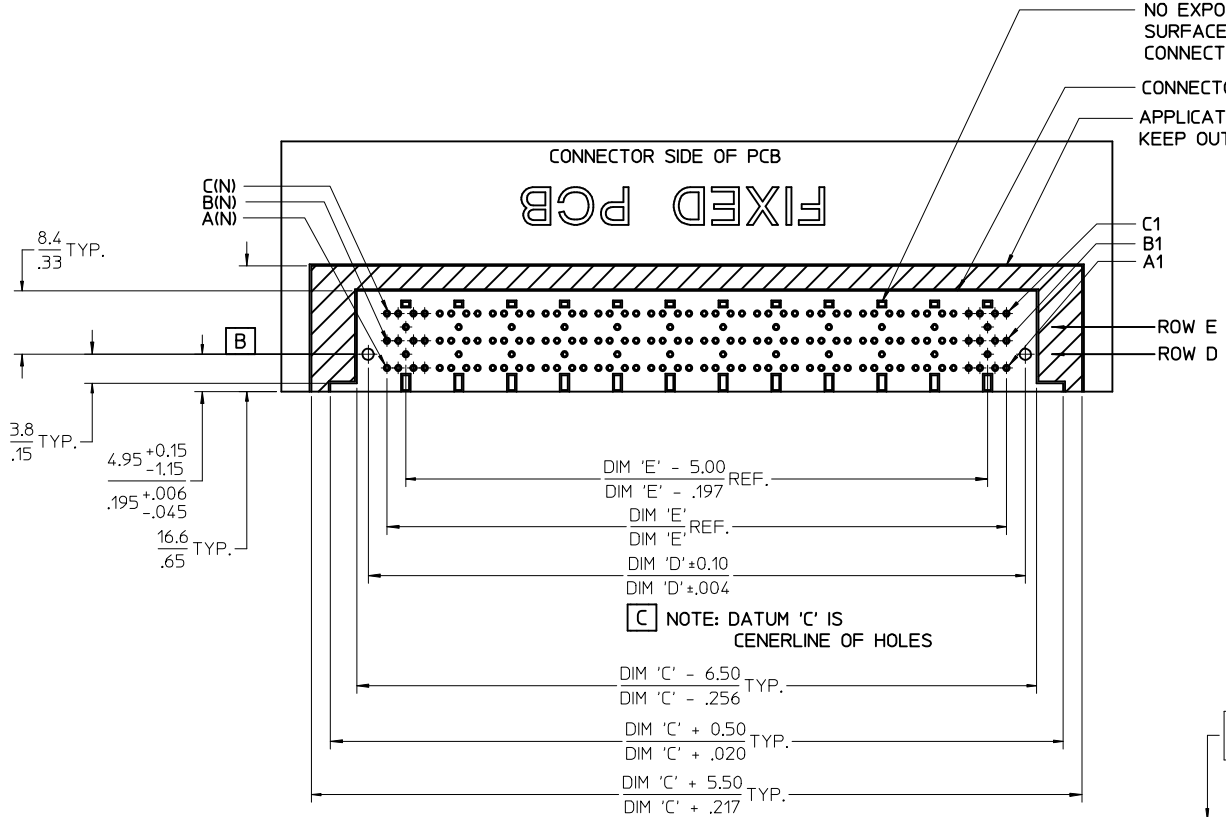
DETAIL 2
SCALE 15:1



0.55
.022
TYPICAL

DETAIL 3
SCALE 15:1

SEE SHEET 1 EC NO: UCP2014-2233 DRWN:RHIPPLE 2013/11/20 CHKD:MP0FF 2913.11.20 APPR:SMILLER 2013/11/27	QUALITY SYMBOLS	GENERAL TOLERANCES (UNLESS SPECIFIED)		DIMENSION STYLE	SCALE	DESIGN UNITS	THIRD ANGLE PROJECTION
	▽=0	mm	INCH	MM/IN	3:1	METRIC	☉
	▽=0	4 PLACES ± ---	± ---	LANG	DATE	TITLE	
	▽=0	3 PLACES ± ---	± .005	CHECKED BY	DATE	PLATEAU HS DOCK FIXED CONNECTOR NO GROUND FINGER	
▽=0	2 PLACES ± 0.13	± .01	LANG	DATE	molex DOCUMENT NO. SD-75018-011 SHEET NO. 2 OF 5		
▽=0	1 PLACE ± 0.25	± ---	APPROVED BY	DATE			
REVISION	ANGULAR ±1/2°	DRAFT WHERE APPLICABLE MUST REMAIN WITHIN DIMENSIONS		MATERIAL NO.	THIS DRAWING CONTAINS INFORMATION THAT IS PROPRIETARY TO MOLEX. INCORPORATED AND SHOULD NOT BE USED WITHOUT WRITTEN PERMISSION		
SIZE	SEE TABLE			C			

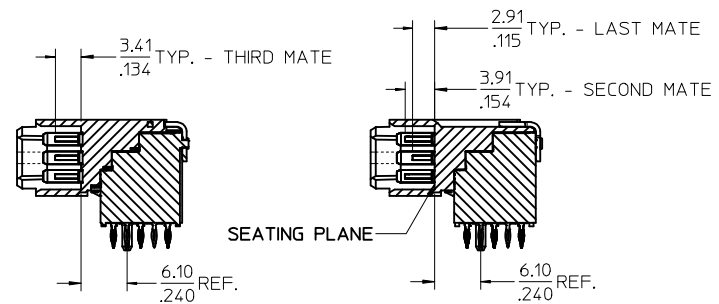


NO EXPOSED TRACES ON SURFACE OF PCB IN CONNECTOR STAND OFF LOCATIONS
 CONNECTOR KEEP OUT AREA
 APPLICATION TOOLING KEEP OUT AREA (NOTES 5 & 10)

CIRCUIT DESIGNATION
 FIRST MATE: HOUSING - SIGNAL GROUND
 SECOND MATE: A1, C1, A(N), C(N) (FOR POWER RETURN)
 THIRD MATE: A2, B2, C2, A(N-1), B(N-1), C(N-1) & ALL OTHERS (A2, C2, A(N-1) & C(N-1) FOR POWER) (ALL OTHERS SIGNAL)
 LAST MATE: B1, B(N) (FOR CARD DETECT)
 ALL COLUMNS FROM 3 THROUGH (N-2) ARE SUITABLE FOR DIFFERENTIAL PAIRS
 EG: A3-A4, B3-B4, C3-C4, A(N-2)-A(N-3), B(N-2)-B(N-3)
 SIGNAL GROUND: ROWS D & E

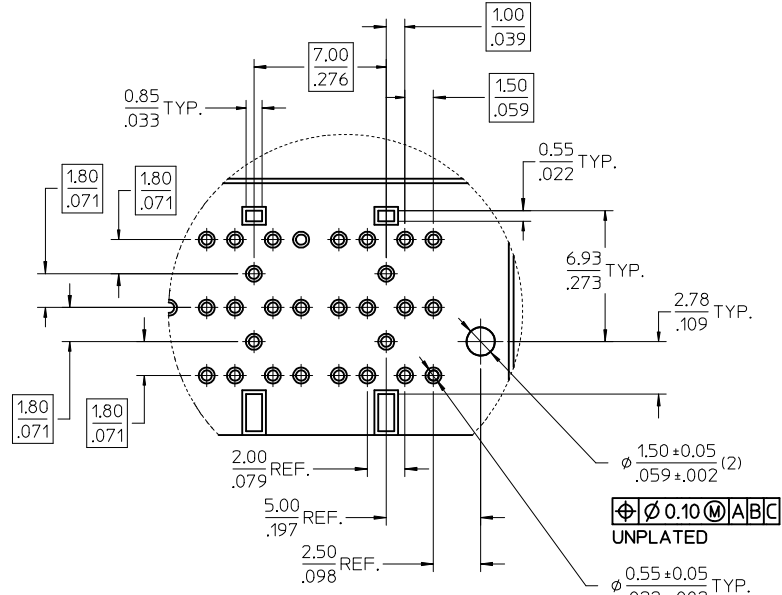
NOMINAL WIPE - FULL SEATED

FIRST MATE: 5.2mm
 SECOND MATE: 2.7mm
 THIRD MATE: 2.2mm
 LAST MATE: 1.7mm



SECTION Y-Y

SECTION Z-Z



DETAIL X
 SCALE 5:1

SEE SHEET 1 EC NO: UCP2014-2233 DRAWN: WHIPPLE 2013/11/20 CHKD: MPOFF 29/13.11.20 APPR: SMILLER 2013/11/27	QUALITY SYMBOLS ▽=0 ▽=0 ▽=0	GENERAL TOLERANCES (UNLESS SPECIFIED)		DIMENSION STYLE MM/IN		SCALE 2:1	DESIGN UNITS METRIC	THIRD ANGLE PROJECTION	
		4 PLACES ± --- ± ---	LANG	DRAWN BY LANG	DATE 03-OCT-29	PLATEAU HS DOCK FIXED CONNECTOR NO GROUND FINGER			
		3 PLACES ± --- ± .005	CHECKED BY	DATE 03-OCT-29		molex			
		2 PLACES ± .13 ± .01	LANG	DATE 03-OCT-29					
1 PLACE ± 0.25 ± ---	APPROVED BY BANAK I S	DATE 03-OCT-29		MATERIAL NO.		DOCUMENT NO. SD-75018-011	SHEET NO. 3 OF 5		
0 PLACE ± ±	ANGULAR ±1/2°	DRAFT WHERE APPLICABLE MUST REMAIN WITHIN DIMENSIONS		SEE TABLE		THIS DRAWING CONTAINS INFORMATION THAT IS PROPRIETARY TO MOLEX INCORPORATED AND SHOULD NOT BE USED WITHOUT WRITTEN PERMISSION			

LEAD-FREE ASSEMBLIES - OBSOLETE

ITEM NUMBER	CIRCUIT SIZE	NO. OF COLUMNS 'N'	CENTERLINE DIMENSION 'A' mm(in)	O/A HEIGHT DIMENSION 'B' mm(in)	O/A LENGTH DIMENSION 'C' mm(in)	PEG TO PEG DIMENSION 'D' mm(in)	FIRST-LAST DIMENSION 'E' mm(in)	PLATING FINISH	WAFER OPTION
75018-0021	144	24	4.74 (.187)	9.78 (.385)	96.50 (3.799)	87.00 (3.425)	82.00 (3.228)	FINISH 1	WELDED
75018-0022	144	24	5.74 (.226)	10.78 (.424)	96.50 (3.799)	87.00 (3.425)	82.00 (3.228)		
75018-0023	144	24	8.74 (.344)	13.78 (.543)	96.50 (3.799)	87.00 (3.425)	82.00 (3.228)		
75018-0024	108	18	4.74 (.187)	9.78 (.385)	75.50 (2.972)	66.00 (2.598)	61.00 (2.402)		
75018-0025	108	18	8.74 (.344)	13.78 (.543)	75.50 (2.972)	66.00 (2.598)	61.00 (2.402)		
75018-0026	120	20	4.74 (.187)	9.78 (.385)	82.50 (3.248)	73.00 (2.874)	68.00 (2.677)		
75018-0027	108	18	5.74 (.226)	10.78 (.424)	75.50 (2.972)	66.00 (2.598)	61.00 (2.402)		
75018-0029	120	20	5.74 (.226)	10.78 (.424)	82.50 (3.248)	73.00 (2.874)	68.00 (2.677)		

NOTE: THIS ITEM NUMBER HAS ONLY SIGNAL PINS

1) FINISHES:

FINISH 1: (PREVIOUSLY TIN-LEAD)

CONTACT INTERFACE

0.76 MICROMETERS/30 MICROINCHES MINIMUM SELECT GOLD
NICKEL UNDERPLATE OVERALL

COMPLIANT INTERFACE

0.76 MICROMETERS/30 MICROINCHES MINIMUM SELECT MATTE-TIN OVER
NICKEL UNDERPLATE OVERALL

HOUSING

0.10 MICROMETERS/4 MICROINCHES MAXIMUM GOLD OVER
3.81 MICROMETERS/150 MICROINCHES MINIMUM NICKEL OVER
COPPER UNDERPLATE OVERALL

FINISH 2:

CONTACT INTERFACE

0.76 MICROMETERS/30 MICROINCHES MINIMUM SELECT GOLD
NICKEL UNDERPLATE OVERALL

COMPLIANT INTERFACE

0.76 MICROMETERS/30 MICROINCHES MINIMUM SELECT MATTE-TIN OVER
NICKEL UNDERPLATE OVERALL

HOUSING

0.10 MICROMETERS/4 MICROINCHES MAXIMUM GOLD OVER
3.81 MICROMETERS/150 MICROINCHES MINIMUM NICKEL OVER
COPPER UNDERPLATE OVERALL

FINISH 3:

CONTACT INTERFACE

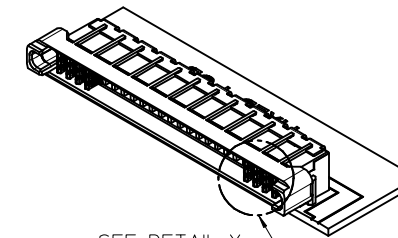
0.76 MICROMETERS/30 MICROINCHES MINIMUM SELECT GOLD
NICKEL UNDERPLATE OVERALL

COMPLIANT INTERFACE

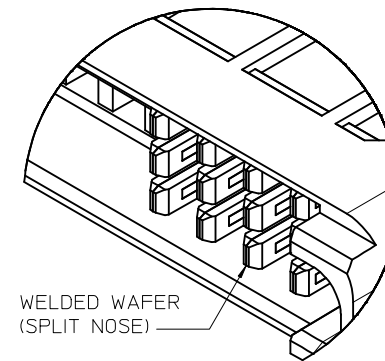
0.76 MICROMETERS/30 MICROINCHES MINIMUM SELECT MATTE-TIN OVER
NICKEL UNDERPLATE OVERALL

HOUSING

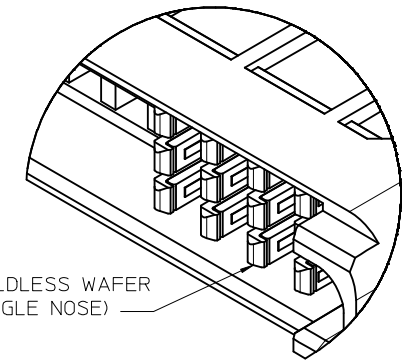
3.81 MICROMETERS/150 MICROINCHES MINIMUM NICKEL OVER
COPPER UNDERPLATE OVERALL



SEE DETAIL Y



WELDED WAFER (SPLIT NOSE)



WELDLESS WAFER (SINGLE NOSE)

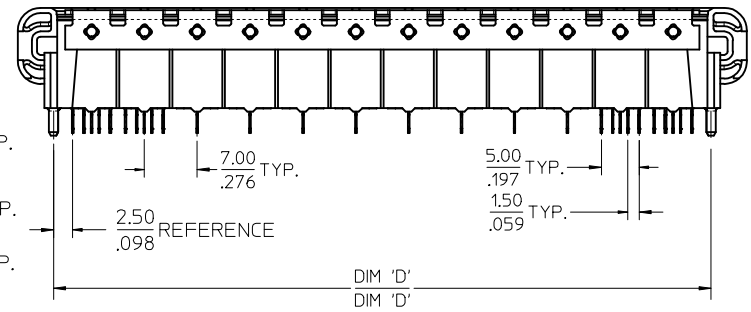
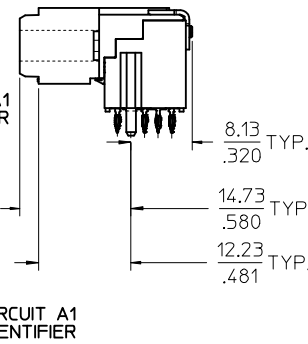
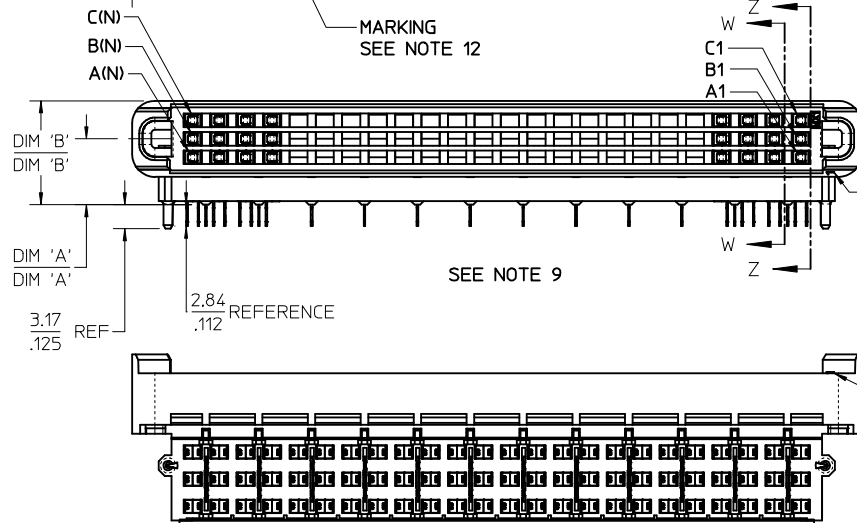
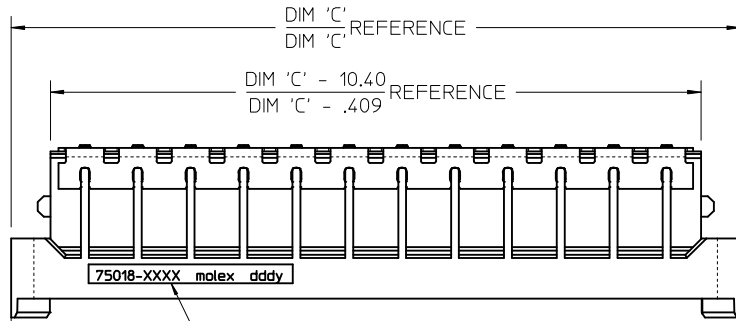
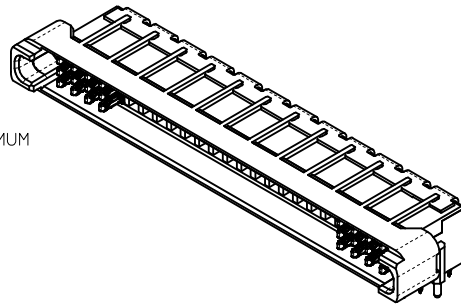
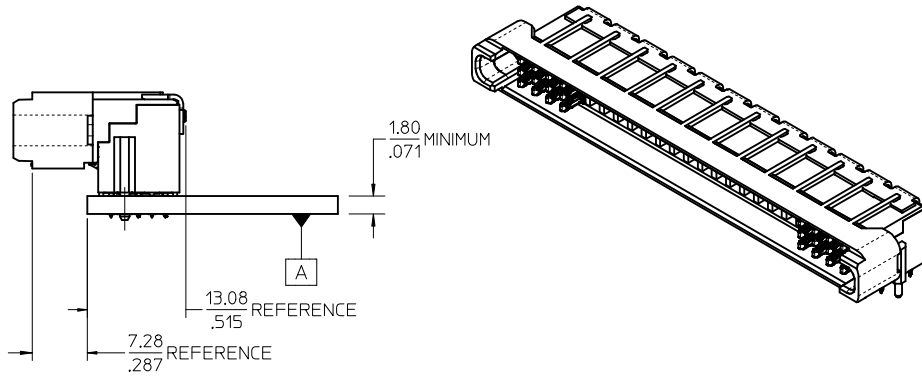
DETAIL Y
SCALE 5:1

SEE SHEET 1 EC NO: UCP2014-2233 DRAWN: RHIPPLE 2013/11/20 CHKD: MPOFF 2913.11.20 APPR: SWILLER 2013/11/27	QUALITY SYMBOLS 	GENERAL TOLERANCES (UNLESS SPECIFIED)		DIMENSION STYLE MM/IN		SCALE 1:1	DESIGN UNITS METRIC	THIRD ANGLE PROJECTION			
		4 PLACES ± --- ± ---	3 PLACES ± --- ± .005	DRAWN BY LANG	DATE 03-OCT-29	PLATEAU HS DOCK FIXED CONNECTOR NO GROUND FINGER molex DOCUMENT NO. SD-75018-011 SHEET NO. 4 OF 5					
		2 PLACES ± 0.13 ± .01	1 PLACE ± 0.25 ± ---	CHECKED BY LANG	DATE 03-OCT-29						
		0 PLACE ± ±	APPROVED BY BANAKIS		DATE 03-OCT-29						
ANGULAR ±1/2°		MATERIAL NO. SEE TABLE									
DRAFT WHERE APPLICABLE MUST REMAIN WITHIN DIMENSIONS				SIZE C	THIS DRAWING CONTAINS INFORMATION THAT IS PROPRIETARY TO MOLEX INCORPORATED AND SHOULD NOT BE USED WITHOUT WRITTEN PERMISSION						

LEAD-FREE ASSEMBLIES

ITEM NUMBER	CIRCUIT SIZE	NO. OF COLUMNS 'N'	CENTERLINE DIMENSION 'A' mm(in)	O/A HEIGHT DIMENSION 'B' mm(in)	O/A LENGTH DIMENSION 'C' mm(in)	PEG TO PEG DIMENSION 'D' mm(in)	FIRST-LAST DIMENSION 'E' mm(in)	PLATING FINISH	WAFER OPTION
75018-7025	108	18	8.74 (.344)	13.78 (.543)	75.50 (2.972)	66.00 (2.598)	61.00 (2.402)	FINISH 2	WELDED
75018-7216	120	20	4.74 (.187)	9.78 (.385)	82.50 (3.248)	73.00 (2.874)	68.00 (2.677)		
75018-7221	144	24	4.74 (.187)	9.78 (.385)	96.50 (3.799)	87.00 (3.425)	82.00 (3.228)		
75018-7022	144	24	5.74 (.226)	10.78 (.424)	96.50 (3.799)	87.00 (3.425)	82.00 (3.228)		
75018-7023	144	24	8.74 (.344)	13.78 (.543)	96.50 (3.799)	87.00 (3.425)	82.00 (3.228)		
75018-7224	108	18	4.74 (.187)	9.78 (.385)	75.50 (2.972)	66.00 (2.598)	61.00 (2.402)		
75018-7225	108	18	8.74 (.344)	13.78 (.543)	75.50 (2.972)	66.00 (2.598)	61.00 (2.402)		
75018-7227	108	18	5.74 (.226)	10.78 (.424)	75.50 (2.972)	66.00 (2.598)	61.00 (2.402)		
75018-7229	120	20	5.74 (.226)	10.78 (.424)	82.50 (3.248)	73.00 (2.874)	68.00 (2.677)	FINISH 3	WELDED
75018-7321	144	24	4.74 (.187)	9.78 (.385)	96.50 (3.799)	87.00 (3.425)	82.00 (3.228)		
75018-7322	144	24	5.74 (.226)	10.78 (.424)	96.50 (3.799)	87.00 (3.425)	82.00 (3.228)		
75018-7323	144	24	8.74 (.344)	13.78 (.543)	96.50 (3.799)	87.00 (3.425)	82.00 (3.228)		
75018-7324	108	18	4.74 (.187)	9.78 (.385)	75.50 (2.972)	66.00 (2.598)	61.00 (2.402)		
75018-7325	108	18	8.74 (.344)	13.78 (.543)	75.50 (2.972)	66.00 (2.598)	61.00 (2.402)		
75018-7326	120	20	4.74 (.187)	9.78 (.385)	82.50 (3.248)	73.00 (2.874)	68.00 (2.677)		
75018-7327	108	18	5.74 (.226)	10.78 (.424)	75.50 (2.972)	66.00 (2.598)	61.00 (2.402)		
75018-7329	120	20	5.74 (.226)	10.78 (.424)	82.50 (3.248)	73.00 (2.874)	68.00 (2.677)	FINISH 3	WELDLESS
75018-8321	144	24	4.74 (.187)	9.78 (.385)	96.50 (3.799)	87.00 (3.425)	82.00 (3.228)		
75018-8322	144	24	5.74 (.226)	10.78 (.424)	96.50 (3.799)	87.00 (3.425)	82.00 (3.228)		
75018-8323	144	24	8.74 (.344)	13.78 (.543)	96.50 (3.799)	87.00 (3.425)	82.00 (3.228)		
75018-8324	108	18	4.74 (.187)	9.78 (.385)	75.50 (2.972)	66.00 (2.598)	61.00 (2.402)		
75018-8325	108	18	8.74 (.344)	13.78 (.543)	75.50 (2.972)	66.00 (2.598)	61.00 (2.402)		
75018-8326	120	20	4.74 (.187)	9.78 (.385)	82.50 (3.248)	73.00 (2.874)	68.00 (2.677)		
75018-8327	108	18	5.74 (.226)	10.78 (.424)	75.50 (2.972)	66.00 (2.598)	61.00 (2.402)		
75018-8329	120	20	5.74 (.226)	10.78 (.424)	82.50 (3.248)	73.00 (2.874)	68.00 (2.677)		

SEE SHEET 1 EC NO: UCP2014-2233 DRWNR:WHIPPLE 2013/11/20 CHKDR:POFF 29/3.11.20 APPR:SMILLER 2013/11/27	QUALITY SYMBOLS	GENERAL TOLERANCES (UNLESS SPECIFIED)	DIMENSION STYLE	SCALE	DESIGN UNITS	THIRD ANGLE PROJECTION
	▽=0	mm INCH	MM/IN	2:1	METRIC	
	▽=0	4 PLACES ± --- ± ---	DRAWN BY DATE	PLATEAU HS DOCK FIXED CONNECTOR NO GROUND FINGER molex SD-75018-011		
	▽=0	3 PLACES ± --- ± .005	CHECKED BY DATE			
▽=0	2 PLACES ± 0.13 ± .01	LANG 03-OCT-29				
▽=0	1 PLACE ± 0.25 ± ---	LANG 03-OCT-29				
REV	DESCRIPTION	0 PLACE ± ±	APPROVED BY DATE	DOCUMENT NO.		
		ANGULAR ±1/2°	BANAK IS 03-OCT-29	SD-75018-011		
		DRAFT WHERE APPLICABLE MUST REMAIN WITHIN DIMENSIONS	SEE TABLE	SHEET NO. 5 OF 5		
			SIZE C THIS DRAWING CONTAINS INFORMATION THAT IS PROPRIETARY TO MOLEX INCORPORATED AND SHOULD NOT BE USED WITHOUT WRITTEN PERMISSION			

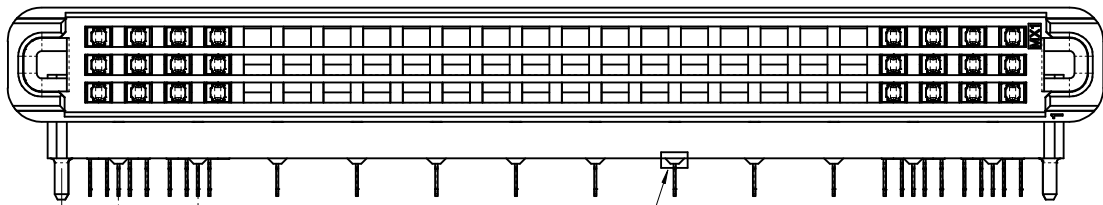


NOTES:

- 1) MATERIALS:
HOUSING - LIQUID CRYSTAL POLYMER, UL94 V-0
WAFER DIELECTRIC - LIQUID CRYSTAL POLYMER, UL94 V-0
CONTACT - COPPER ALLOY
- 2) FINISHES:
CONTACT INTERFACE
0.76 MICROMETERS/30 MICROINCHES MINIMUM SELECT GOLD
NICKEL UNDERPLATE OVERALL
COMPLIANT INTERFACE
0.76 MICROMETERS/30 MICROINCHES MINIMUM SELECT MATTE-TIN OVER
NICKEL UNDERPLATE OVERALL
HOUSING
3.81 MICROMETERS/150 MICROINCHES MINIMUM NICKEL OVER
COPPER UNDERPLATE OVERALL
- 3) PRODUCT SPECIFICATION: THIS PART CONFORMS TO MOLEX SPECIFICATION PS-75018-001.
- 4) PACKAGING SPECIFICATION: THIS PART TO BE PACKAGED PER SPECIFICATION PK-75020-030.
- 5) APPLICATION SPECIFICATION: THIS PART TO BE APPLIED PER SPECIFICATION PS-75018-001.
APPLICATION TOOL AND INSTRUCTIONS PER AS-75018-001.
- 6) MATING INFORMATION
THIS PART MATES WITH 75019-XXXX.
WILL MATE WITH MAXIMUM 1.27mm MIS-ALIGNMENT.
WILL MATE WITH MAXIMUM 0.5° MIS-ALIGNMENT.
- 7) FOR CIRCUIT DESIGNATION SEE SHEET 3
- 8) FOR PCB INFORMATION SEE SHEET 3
- 9) CIRCUITS IN THIS ZONE HAVE BEEN OMITTED TO SIMPLIFY THE MODEL. ACTUAL PRODUCT IS FULLY LOADED WITH TERMINALS.
- 10) APPLICATION TOOLING KEEP OUT AREA. NO COMPONENTS ALLOWED IN THIS AREA.
- 11) CONFORMS TO MOLEX COSMETIC SPECIFICATION PS-45499-002 & PS-45499-003, CLASS C.
- 12) MARKING: PART NUMBER, MOLEX LOGO, DATE CODE
- 13) RECOMMENDED DRILL SIZE 0.66±0.03 TO YIELD FINISHED PLATED THROUGH HOLE OF 0.55±0.05

INITIAL RELEASE EC NO: UCP2014-1774 DRWR:RWHIPPLE 2013/11/05 CHKD:TIBARRA 11/05/13 APPR:SMILLER 2013/11/19	DESCRIPTION REV: A	QUALITY SYMBOLS	GENERAL TOLERANCES (UNLESS SPECIFIED)	DIMENSION STYLE	SCALE	DESIGN UNITS	THIRD ANGLE PROJECTION																		
		$\nabla = 0$ $\nabla = 0$ $\nabla = 0$	<table border="1"> <thead> <tr> <th></th> <th>mm</th> <th>INCH</th> </tr> </thead> <tbody> <tr> <td>4 PLACES</td> <td>± .125</td> <td>± .005</td> </tr> <tr> <td>3 PLACES</td> <td>± .125</td> <td>± .005</td> </tr> <tr> <td>2 PLACES</td> <td>± 0.13</td> <td>± .01</td> </tr> <tr> <td>1 PLACE</td> <td>± 0.25</td> <td>± .01</td> </tr> <tr> <td>0 PLACE</td> <td>±</td> <td>±</td> </tr> </tbody> </table>		mm	INCH	4 PLACES	± .125	± .005	3 PLACES	± .125	± .005	2 PLACES	± 0.13	± .01	1 PLACE	± 0.25	± .01	0 PLACE	±	±	MM/IN	2:1	METRIC	
			mm	INCH																					
		4 PLACES	± .125	± .005																					
3 PLACES	± .125	± .005																							
2 PLACES	± 0.13	± .01																							
1 PLACE	± 0.25	± .01																							
0 PLACE	±	±																							
	<table border="1"> <thead> <tr> <th></th> <th>mm</th> <th>INCH</th> </tr> </thead> <tbody> <tr> <td>4 PLACES</td> <td>± .125</td> <td>± .005</td> </tr> <tr> <td>3 PLACES</td> <td>± .125</td> <td>± .005</td> </tr> <tr> <td>2 PLACES</td> <td>± 0.13</td> <td>± .01</td> </tr> <tr> <td>1 PLACE</td> <td>± 0.25</td> <td>± .01</td> </tr> <tr> <td>0 PLACE</td> <td>±</td> <td>±</td> </tr> </tbody> </table>		mm	INCH	4 PLACES	± .125	± .005	3 PLACES	± .125	± .005	2 PLACES	± 0.13	± .01	1 PLACE	± 0.25	± .01	0 PLACE	±	±	DRAWN BY: RWHIPPLE DATE: 2013/11/05 CHECKED BY: SMILLER DATE: 2013/11/19 APPROVED BY: SMILLER DATE: 2013/11/19	TITLE	PLATEAU HS DOCK FIXED CONNECTOR NO GROUND FINGER			
	mm	INCH																							
4 PLACES	± .125	± .005																							
3 PLACES	± .125	± .005																							
2 PLACES	± 0.13	± .01																							
1 PLACE	± 0.25	± .01																							
0 PLACE	±	±																							
		ANGULAR ±1/2°	DRAFT WHERE APPLICABLE MUST REMAIN WITHIN DIMENSIONS	SEE TABLE	DOCUMENT NO.	molex SD-75018-5000	SHEET NO. 1 OF 3																		

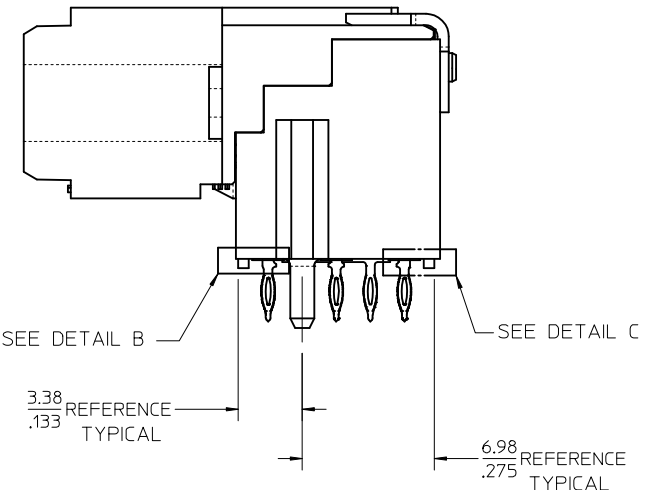
ITEM NUMBER	CIRCUIT SIZE	NO. OF COLUMNS 'N'	CENTERLINE DIMENSION 'A' mm(in)	O/A HEIGHT DIMENSION 'B' mm(in)	O/A LENGTH DIMENSION 'C' mm(in)	PEG TO PEG DIMENSION 'D' mm(in)	FIRST-LAST DIMENSION 'E' mm(in)
75018-5021	144	24	4.74 (.187)	9.78 (.385)	96.50 (3.799)	87.00 (3.425)	82.00 (3.228)
75018-5022	144	24	5.74 (.226)	10.78 (.424)	96.50 (3.799)	87.00 (3.425)	82.00 (3.228)
75018-5023	144	24	8.74 (.344)	13.78 (.543)	96.50 (3.799)	87.00 (3.425)	82.00 (3.228)
75018-5024	108	18	4.74 (.187)	9.78 (.385)	75.50 (2.972)	66.00 (2.598)	61.00 (2.402)
75018-5025	108	18	8.74 (.344)	13.78 (.543)	75.50 (2.972)	66.00 (2.598)	61.00 (2.402)
75018-5026	120	20	4.74 (.187)	9.78 (.385)	82.50 (3.248)	73.00 (2.874)	68.00 (2.677)
75018-5027	108	18	5.74 (.226)	10.78 (.424)	75.50 (2.972)	66.00 (2.598)	61.00 (2.402)
75018-5029	120	20	5.74 (.226)	10.78 (.424)	82.50 (3.248)	73.00 (2.874)	68.00 (2.677)



5.00
.197 REFERENCE

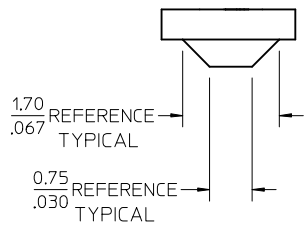
7.00
.276 REFERENCE
TYPICAL

SEE DETAIL A



3.38
.133 REFERENCE
TYPICAL

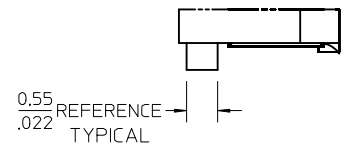
6.98
.275 REFERENCE
TYPICAL



1.70
.067 REFERENCE
TYPICAL

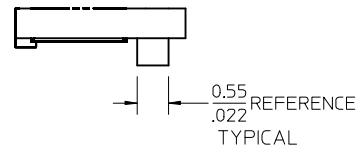
0.75
.030 REFERENCE
TYPICAL

DETAIL A
SCALE 15:1



0.55
.022 REFERENCE
TYPICAL

DETAIL B
SCALE 15:1



0.55
.022 REFERENCE
TYPICAL

DETAIL C
SCALE 15:1

SEE SHEET 1 EC NO: UCP2014-1774 DRAWN: RWHIPPLE 2013/11/05 CHKD: TIBARRA 11/05/13 APPR: SMILLER 2013/11/19	QUALITY SYMBOLS 	GENERAL TOLERANCES (UNLESS SPECIFIED)		DIMENSION STYLE	SCALE	DESIGN UNITS	THIRD ANGLE PROJECTION	
				MM/IN	3:1	METRIC		
				DRAWN BY	DATE	TITLE PLATEAU HS DOCK FIXED CONNECTOR NO GROUND FINGER		
				RWHIPPLE	2013/11/05			
		CHECKED BY	DATE					
		SMILLER	2013/11/19					
		APPROVED BY		DATE	DOCUMENT NO. SD-75018-5000			
		ANGULAR ±1/2°		MATERIAL NO.			SHEET NO.	
		DRAFT WHERE APPLICABLE MUST REMAIN WITHIN DIMENSIONS		SIZE SEE TABLE			2 OF 3	
		THIS DRAWING CONTAINS INFORMATION THAT IS PROPRIETARY TO MOLEX INCORPORATED AND SHOULD NOT BE USED WITHOUT WRITTEN PERMISSION						

