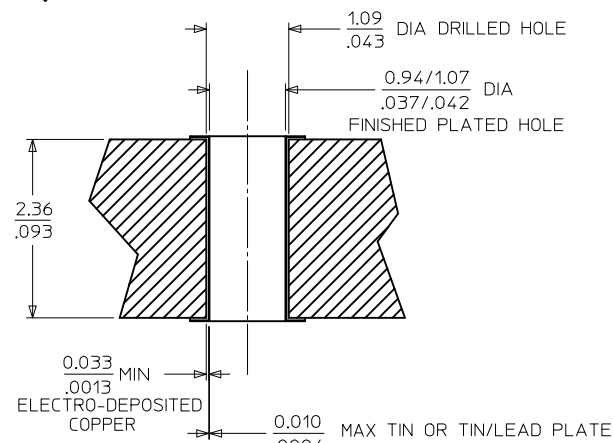
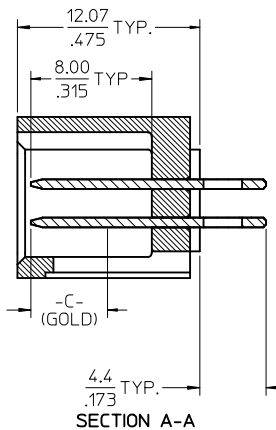
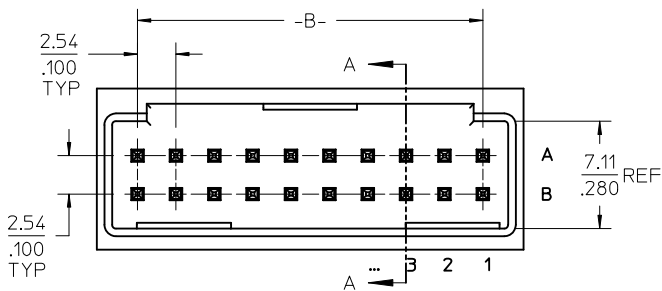
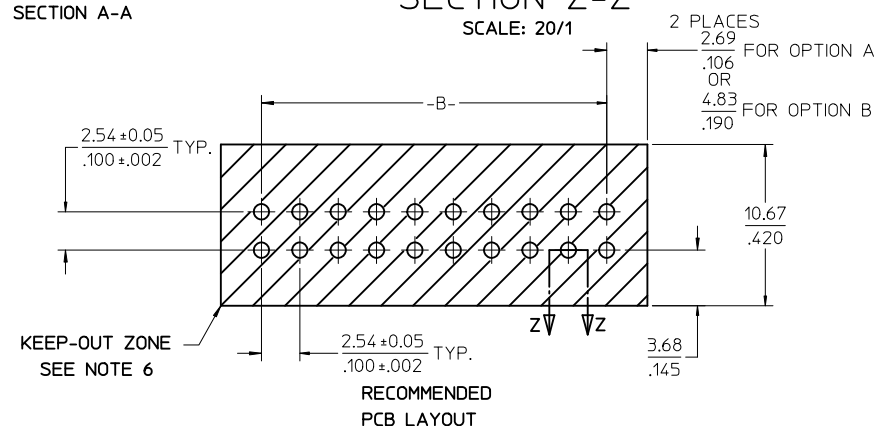


OPTION "A"



SECTION Z-Z
SCALE: 20/1



- NOTES:
- MATERIAL:
INSULATOR: GLASS FILLED LIQUID CYRSTAL POLYMER, UL94V-0,
COLOR - BLACK.
TERMINAL: COPPER ALLOY.
 - FINISH:
TERMINAL PLATING:
1 - SELECT GOLD: 30 MICROINCHES/(0.76 MICROMETERS) MINIMUM.
SELECT TIN/LEAD 100 MICROINCHES/(2.54 MICROMETERS) MINIMUM.
BOTH OVER NICKEL.*
2 - SELECT GOLD: 15 MICROINCHES/(0.38 MICROMETERS) MINIMUM.
SELECT TIN/LEAD 100 MICROINCHES/(2.54 MICROMETERS) MINIMUM.
BOTH OVER NICKEL.*
3 - TIN: 200 MICROINCHES/(5.08 MICROMETERS) MINIMUM OVER NICKEL.
 - PRODUCT SPECIFICATION: PS-75100-001.
 - PACKAGING SPECIFICATION: PK-70873-0018.
 - RECOMMENDED PCB THICKNESS: (2.36)/.093 MINIMUM.
 - NO FEATURES WHICH RISE ABOVE THE PCB SURFACE ALLOWED IN THIS AREA.

CIRCUIT SIZE	DIM -A-	DIM -B-
6	10.46/.412	5.08/.200
8	13.00/.512	7.62/.300
10	15.54/.612	10.16/.400
12	18.08/.712	12.70/.500
14	20.62/.812	15.24/.600
16	23.16/.912	17.78/.700
18	25.70/1.012	20.32/.800
20	28.24/1.112	22.86/.900
22	30.78/1.212	25.40/1.000
24	33.32/1.312	27.94/1.100
26	35.86/1.412	30.48/1.200
28	38.40/1.512	33.02/1.300
30	40.94/1.612	35.56/1.400
32	43.48/1.712	38.10/1.500
34	46.02/1.812	40.64/1.600
36	48.56/1.912	43.18/1.700
38	51.10/2.012	45.72/1.800
40	53.64/2.112	48.26/1.900
42	56.18/2.212	50.80/2.000
44	58.72/2.312	53.34/2.100
46	61.26/2.412	55.88/2.200
48	63.80/2.512	58.42/2.300
50	66.34/2.612	60.96/2.400
52	68.88/2.712	63.50/2.500
54	71.42/2.812	66.04/2.600
56	73.96/2.912	68.58/2.700
58	76.50/3.012	71.12/2.800
60	79.04/3.112	73.66/2.900
62	81.58/3.212	76.20/3.000
64	84.12/3.312	78.74/3.100
66	86.66/3.412	81.28/3.200
68	89.20/3.512	83.82/3.300
70	91.74/3.612	86.36/3.400
72	94.28/3.712	88.90/3.500

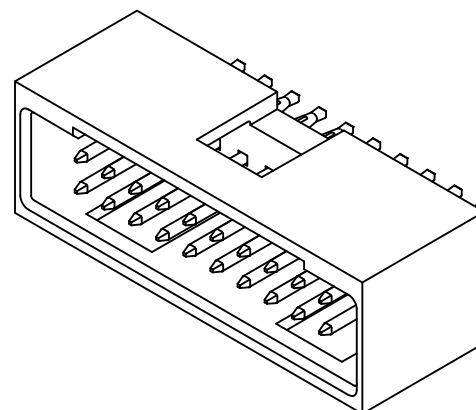
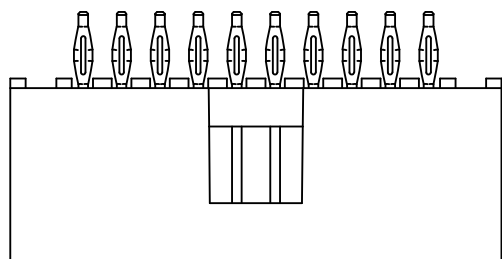
GENERAL DOC	3-4	G
ANNOTATOR	1-2	G
SOFTWARE	SHEET	REV

CHANGE HSG MATERIAL EC NO: UCP2009-1875 DRWINMS BARRA 2009/09/25 CHKD:DMORGAN 2009/12/01 APPR:SMILLER 2009/12/01	QUALITY SYMBOLS	DESCRIPTION
	▽=0	
	▽=0	
	REV	G

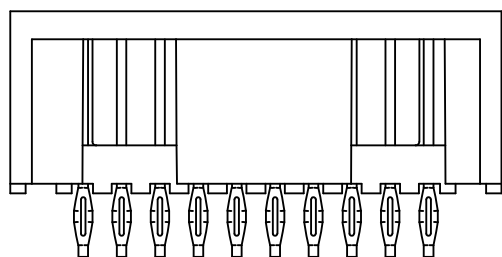
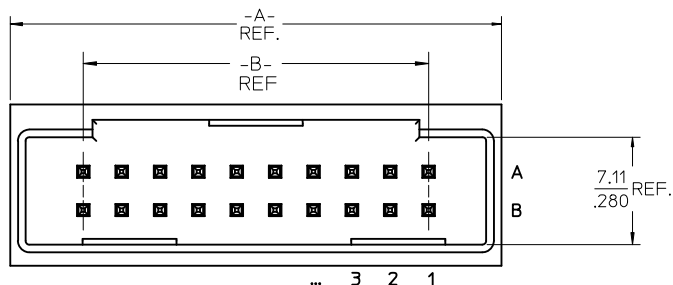
GENERAL TOLERANCES (UNLESS SPECIFIED)	
mm	INCH
4 PLACES ± ---	± ---
3 PLACES ± ---	± .010
2 PLACES ± 0.25	± ---
1 PLACE ± ---	± ---
ANGULAR ±1/2°	
DRAFT WHERE APPLICABLE MUST REMAIN WITHIN DIMENSIONS	

DIMENSION STYLE		SCALE	DESIGN UNITS	THIRD ANGLE PROJECTION
MM/IN		4:1	INCH	
DRAWN BY	DATE	TITLE		
MARGULIS	04/01/02	.100 SHROUDED HEADER WITH COMPLIANT PIN TERMINALS		
CHECKED BY	DATE	MOLEX INCORPORATED		
MARGULIS	04/01/02	SD-75101-001		
APPROVED BY	DATE	SHEET NO.		
FRY	04/01/02	1 OF 2		
MATERIAL NO.	DOCUMENT NO.	THIS DRAWING CONTAINS INFORMATION THAT IS PROPRIETARY TO MOLEX INCORPORATED AND SHOULD NOT BE USED WITHOUT WRITTEN PERMISSION		
SEE TABLE				

OPTION "B"



ISOMETRIC VIEW
(NOT TO SCALE)



CIRCUIT SIZE	DIM -A-	DIM -B-
06	14.74/580	5.08/200
08	17.28/680	7.62/300
10	19.82/780	10.16/400
12	22.36/880	12.70/500
14	24.90/980	15.24/600
16	27.44/1080	17.78/700
18	29.98/1180	20.32/800
20	32.52/1280	22.86/900
22	35.06/1380	25.40/1000
24	37.60/1480	27.94/1100
26	40.14/1580	30.48/1200
28	42.68/1680	33.02/1300
30	45.22/1780	35.56/1400
32	47.76/1880	38.10/1500
34	50.30/1980	40.64/1600
36	52.84/2080	43.18/1700
38	55.38/2180	45.72/1800
40	57.92/2280	48.26/1900
42	60.46/2380	50.80/2000
44	63.00/2480	53.34/2100
46	65.54/2580	55.88/2200
48	68.08/2680	58.42/2300
50	70.62/2780	60.96/2400
52	73.16/2880	63.50/2500
54	75.70/2980	66.04/2600
56	78.24/3080	68.58/2700
58	80.78/3180	71.12/2800
60	83.32/3280	73.66/2900
62	85.86/3380	76.20/3000
64	88.40/3480	78.74/3100
66	90.94/3580	81.28/3200
68	93.48/3680	83.82/3300
70	96.02/3780	86.36/3400
72	98.56/3880	88.90/3500

SEE SHEET 1 EC NO: UCP2009-1875 2009/09/25 DRWINHS IBARRA 2009/12/01 CHYKD J MORGAN 2009/12/01 APPR: SMILLER	QUALITY SYMBOLS ▽=0 ▽=0	GENERAL TOLERANCES (UNLESS SPECIFIED) <table border="1"> <tr><th colspan="2">mm</th><th>INCH</th></tr> <tr><td>4 PLACES</td><td>± ---</td><td>± ---</td></tr> <tr><td>3 PLACES</td><td>± ---</td><td>± .010</td></tr> <tr><td>2 PLACES</td><td>± 0.25</td><td>± ---</td></tr> <tr><td>1 PLACE</td><td>± ---</td><td>± ---</td></tr> </table> ANGULAR ±1/2°	mm		INCH	4 PLACES	± ---	± ---	3 PLACES	± ---	± .010	2 PLACES	± 0.25	± ---	1 PLACE	± ---	± ---	DIMENSION STYLE MM/IN DRAWN BY DATE MARGULIS 04/01/02 CHECKED BY DATE MARGULIS 04/01/02 APPROVED BY DATE FRY 04/01/02	SCALE 4:1 DESIGN UNITS INCH THIRD ANGLE PROJECTION	TITLE .100 SHROUDED HEADER WITH COMPLIANT PIN TERMINALS MOLEX INCORPORATED
	mm		INCH																	
	4 PLACES	± ---	± ---																	
	3 PLACES	± ---	± .010																	
2 PLACES	± 0.25	± ---																		
1 PLACE	± ---	± ---																		
DRAFT WHERE APPLICABLE MUST REMAIN WITHIN DIMENSIONS	MATERIAL NO. SEE TABLE	DOCUMENT NO. SD-75101-001	SHEET NO. 2 OF 2																	
SIZE THIS DRAWING CONTAINS INFORMATION THAT IS PROPRIETARY TO MOLEX INCORPORATED AND SHOULD NOT BE USED WITHOUT WRITTEN PERMISSION																				
G																				

C-GRID 100 HEADER SHROUDED COMPLIANT PINS

PLATING:	1 – 30 GOLD
GOLD AREA DIM C:	5.08/. 200
VOID CKT:	NONE
PACKAGING:	PK-70873-0018

CKT	MATERIAL NO.	CKT	MATERIAL NO.
06	75101-0001	42	75101-0019
08	75101-0002	44	75101-0020
10	75101-0003	46	75101-0021
12	75101-0004	48	75101-0022
14	75101-0005	50	75101-0023
16	75101-0006	52	75101-0024
18	75101-0007	54	75101-0025
20	75101-0008	56	75101-0026
22	75101-0009	58	75101-0027
24	75101-0010	60	75101-0028
26	75101-0011	62	75101-0029
28	75101-0012	64	75101-0030
30	75101-0013	66	75101-0031
32	75101-0014	68	75101-0032
34	75101-0015	70	75101-0033
36	75101-0016	72	75101-0034
38	75101-0017	--	--
40	75101-0018	--	--

PLATING:	2 – 15 GOLD
GOLD AREA DIM C:	5.08/. 200
VOID CKT:	NONE
PACKAGING:	PK-70873-0018

CKT	MATERIAL NO.	CKT	MATERIAL NO.
06	75101-0137	42	75101-0155
08	75101-0138	44	75101-0156
10	75101-0139	46	75101-0157
12	75101-0140	48	75101-0158
14	75101-0141	50	75101-0159
16	75101-0142	52	75101-0160
18	75101-0143	54	75101-0161
20	75101-0144	56	75101-0162
22	75101-0145	58	75101-0163
24	75101-0146	60	75101-0164
26	75101-0147	62	75101-0165
28	75101-0148	64	75101-0166
30	75101-0149	66	75101-0167
32	75101-0150	68	75101-0168
34	75101-0151	70	75101-0169
36	75101-0152	72	75101-0170
38	75101-0153	--	--
40	75101-0154	--	--

PLATING:	3 – TIN
GOLD AREA DIM C:	N/A
VOID CKT:	NONE
PACKAGING:	PK-70873-0018

CKT	MATERIAL NO.	CKT	MATERIAL NO.
06	75101-0171	42	75101-0189
08	75101-0172	44	75101-0190
10	75101-0173	46	75101-0191
12	75101-0174	48	75101-0192
14	75101-0175	50	75101-0193
16	75101-0176	52	75101-0194
18	75101-0177	54	75101-0195
20	75101-0178	56	75101-0196
22	75101-0179	58	75101-0197
24	75101-0180	60	75101-0198
26	75101-0181	62	75101-0199
28	75101-0182	64	75101-0200
30	75101-0183	66	75101-0201
32	75101-0184	68	75101-0202
34	75101-0185	70	75101-0203
36	75101-0186	72	75101-0204
38	75101-0187	--	--
40	75101-0188	--	--

OPTION "A"

NOTE: SHEETS 1-2 ARE ANNOTATOR DOCUMENTS

REV: G	SEE SHT 1 EC No: UCP2009-1875	TITLE: .100 SHROUDED HEADER WITH COMPLIANT PIN TERMINALS	SHEET No. 3 -
DOCUMENT NUMBER: SD- 75101-001	CREATED / REVISED BY: SAMIEC/MIBARRA	CHECKED BY: DMORGAN	APPROVED BY: SMILLER

C-GRID 100 HEADER SHROUDED COMPLIANT PINS

PLATING:	1 – 30 GOLD
GOLD AREA DIM C:	5.08/. 200
VOID CKT:	NONE
PACKAGING:	PK-70873-0018

CKT	MATERIAL NO.	CKT	MATERIAL NO.
06	75101-0035	42	75101-0053
08	75101-0036	44	75101-0054
10	75101-0037	46	75101-0055
12	75101-0038	48	75101-0056
14	75101-0039	50	75101-0057
16	75101-0040	52	75101-0058
18	75101-0041	54	75101-0059
20	75101-0042	56	75101-0060
22	75101-0043	58	75101-0061
24	75101-0044	60	75101-0062
26	75101-0045	62	75101-0063
28	75101-0046	64	75101-0064
30	75101-0047	66	75101-0065
32	75101-0048	68	75101-0066
34	75101-0049	70	75101-0067
36	75101-0050	72	75101-0068
38	75101-0051	--	--
40	75101-0052	--	--

PLATING:	2 – 15 GOLD
GOLD AREA DIM C:	5.08/. 200
VOID CKT:	NONE
PACKAGING:	PK-70873-0018

CKT	MATERIAL NO.	CKT	MATERIAL NO.
06	75101-0205	42	75101-0223
08	75101-0206	44	75101-0224
10	75101-0207	46	75101-0225
12	75101-0208	48	75101-0226
14	75101-0209	50	75101-0227
16	75101-0210	52	75101-0228
18	75101-0211	54	75101-0229
20	75101-0212	56	75101-0230
22	75101-0213	58	75101-0231
24	75101-0214	60	75101-0232
26	75101-0215	62	75101-0233
28	75101-0216	64	75101-0234
30	75101-0217	66	75101-0235
32	75101-0218	68	75101-0236
34	75101-0219	70	75101-0237
36	75101-0220	72	75101-0238
38	75101-0221	--	--
40	75101-0222	--	--

PLATING:	3 – TIN
GOLD AREA DIM C:	N/A
VOID CKT:	NONE
PACKAGING:	PK-70873-0018

CKT	MATERIAL NO.	CKT	MATERIAL NO.
06	75101-0239	42	75101-0257
08	75101-0240	44	75101-0258
10	75101-0241	46	75101-0259
12	75101-0242	48	75101-0260
14	75101-0243	50	75101-0261
16	75101-0244	52	75101-0262
18	75101-0245	54	75101-0263
20	75101-0246	56	75101-0264
22	75101-0247	58	75101-0265
24	75101-0248	60	75101-0266
26	75101-0249	62	75101-0267
28	75101-0250	64	75101-0268
30	75101-0251	66	75101-0269
32	75101-0252	68	75101-0270
34	75101-0253	70	75101-0271
36	75101-0254	72	75101-0272
38	75101-0255	--	--
40	75101-0256	--	--

OPTION "B"

REV: G	SEE SHT 1 EC No: UCP2009-1875	TITLE: .100 SHROUDED HEADER WITH COMPLIANT PIN TERMINALS	SHEET No. 4 -
DOCUMENT NUMBER: SD- 75101-001	CREATED / REVISED BY: SAMIEC/MIBARRA	CHECKED BY: DMORGAN	APPROVED BY: SMILLER