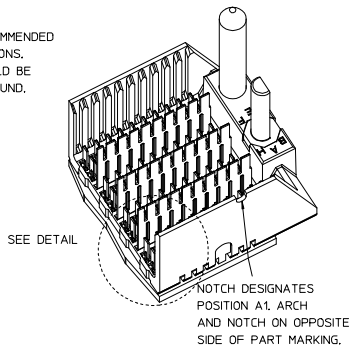
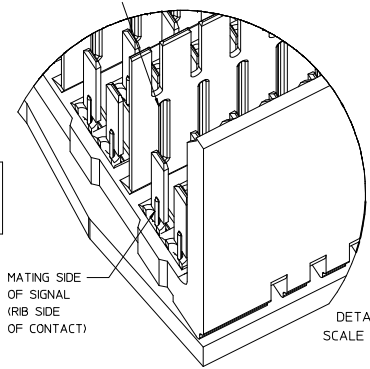


LEAD-FREE PLATING



THE PRIMARY CARTON WITH A LABEL STATING "ELV AND RoHS COMPLIANT" IS LEAD-FREE. CARTONS WITHOUT THIS LABEL MAY CONTAIN LEAD.

- NOTES:
1. MATERIAL: HOUSING - LIQUID CRYSTAL POLYMER (LCP) GLASS-FILLED. UL 94V-0. COLOR - GRAY. SIGNAL CONTACT AND GROUND BLADE - HIGH PERFORMANCE COPPER ALLOY.
 2. FINISHES: SELECTIVE GOLD (Au) ON CONTACT AREA, SELECTIVE MATTE TIN (Sn) ON PCB TAILS, NICKEL (Ni) OVERALL.
 3. THIS PART CONFORMS TO MOLEX PRODUCT SPECIFICATION PS-75221-999.
 4. FOR MIXED CONTACT MATING LENGTHS CONSULT MOLEX FOR AVAILABILITY. CONTACT PAIRS MUST BE THE SAME LENGTH.
 5. FOR SPECIFIC PART NUMBER AND MATING INFORMATION PLEASE REFER TO CHART.
 6. PACKAGE PER PK-70873-563.
 7. MARK PART NUMBER AND DATE CODE APPROXIMATELY WHERE SHOWN.
 8. OPTIONAL HOLE LOCATION FOR GROUNDED GUIDE PIN OR ADDITIONAL GUIDE PIN SUPPORT. FOR GROUNDED GUIDE PIN, HOLE TO BE PLATED, DRILL SIZE #258. PAD SIZE #550.
 9. THESE PARTS CONFORM TO MOLEX COSMETIC SPECIFICATION PS-45499-002 CLASS B.
 10. MAPS (MOLEX ADVANCED PLATING SYSTEM).

| ASSY PART NO. | K | L | P | TOTAL NO. OF DIFFERENTIAL PAIRS |
|---------------|----|-------|-------|---------------------------------|
| 75235-21** | 9 | 16.65 | 24.78 | 40 |
| 75235-22** | 24 | 44.40 | 52.53 | 100 |

| P/N | ---0* | ---1* | ---2* | ---3* | ---4* | ---5* | ---6* | ---7* | ---8* |
|-----------|-------|-------|-------|-------|-------|-------|-------|-------|-------|
| 75235-() | 0 | A | B | C | D | E | F | G | H |

| PIN LENGTH DIM 'M' | GOLD (Au) THICKNESS micrometers |
|--------------------|---------------------------------|
| 0-3.55 mm | 0.25 (MAPS) |
| 1-4.55 mm | |
| 2-5.55 mm | |
| 3-5.55 mm | |
| 4-4.55 mm | 0.76 |
| 5-5.55 mm | |
| 7-3.55 mm | |
| 8-4.55 mm | 1.27 |
| 9-5.55 mm | |

REV TO LEADFREE
 EC NO: UCP2013-1905
 2012/09/07
 DRW:MMOLEE
 CHK:SWANG
 2012/09/07
 APPR:SMILLER
 2012/12/05
 DESCRIPTION

| QUALITY SYMBOLS | GENERAL TOLERANCES (UNLESS SPECIFIED) | DIMENSION STYLE | SCALE | DESIGN UNITS | THIRD ANGLE PROJECTION |
|-----------------|--|--|-------|--------------|------------------------|
| ▽=0 | 4 PLACES ±--- 3 PLACES ±--- 2 PLACES ±0.25 1 PLACE ±0.38 0 PLACE ± | MM ONLY | 5:1 | METRIC | THIRD ANGLE PROJECTION |
| ▽=0 | | DRAWN BY: NMARTIN CHECKED BY: DATE SREED 2003/10/22 APPROVED BY: DATE CBIXLER 2003/10/22 | | | |
| ▽=0 | DRAFT WHERE APPLICABLE MUST REMAIN WITHIN DIMENSIONS | SEE TABLE | | | |
| | | MATERIAL NO. SD-75235-210 | | DOCUMENT NO. | SHEET NO. 1 OF 1 |

GBX 4-PAIR LF
 LEFT END BACKPLANE
 SALES ASSEMBLY

molex