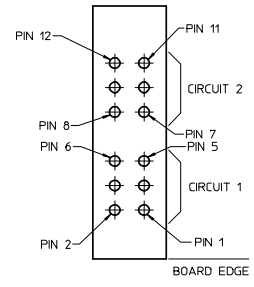
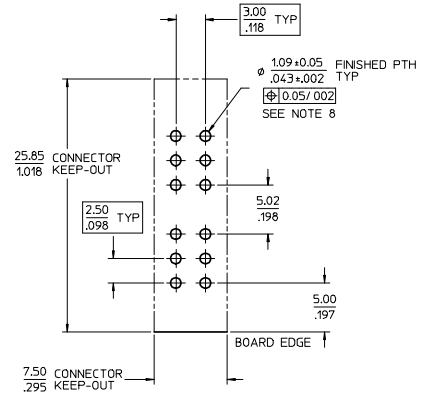
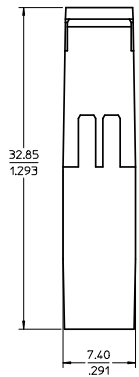
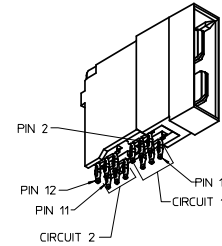
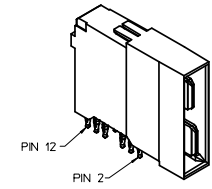
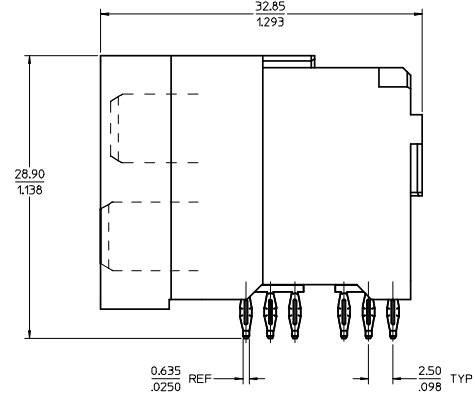
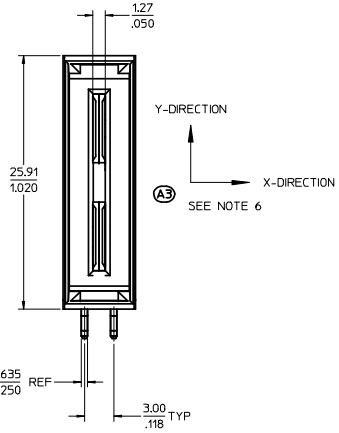


PART NUMBER	TAIL PLATING	PLATING
75561-6000	TIN	0.75µm/30µm MIN SELECT HARD GOLD IN CONTACT AREA WITH 2.50µm/100µm MIN SELECT TIN IN TAIL AREA OVER 125µm/50µm MIN NICKEL OVERALL
75561-6001	TIN/LEAD	0.75µm/30µm MIN SELECT HARD GOLD IN CONTACT AREA WITH 2.50µm/100µm MIN SELECT TIN/LEAD IN TAIL AREA OVER 125µm/50µm MIN NICKEL OVERALL



PCB LAYOUT
3.18/.125 MIN THICK

PINOUT DETAIL



- NOTES:
- MATERIALS:
- HOUSING: 30% GLASS FILLED; LCP 94V-0, COLOR: BLACK
- TERMINALS: COPPER ALLOY
PLATING: PER ES-88 - SEE CHART
 - SEE CHART FOR REFERENCE DOCUMENTS
 - PLUG MATES WITH RECEPTACLE ASSEMBLIES: 75545-5000 & 75545-5001
 - MODULE IS DESIGNED FOR PRESS FIT TO THE PCB
 - MODULE ASSEMBLY IS RoHS COMPLIANT
 - GATHERABILITY: +0.65/.026 X-DIRECTION
+1.30/.051 Y-DIRECTION
 - THIS PART CONFORMS TO CLASS B REQUIREMENTS OF COSMETIC SPEC PS-45499-002
 - PLATED THRU HOLE (PTH) DIMENSIONS: $\phi 1.09 \pm 0.05 / 0.043 \pm 0.002$ FINISHED PTH (TYP)
 $\phi 1.200 \pm 0.013 / 0.472 \pm 0.005$ DRILL
0.025/.001 COPPER PLATE THICKNESS

REFERENCE DOCUMENTS	
PS-75431-999	PRODUCT SPECIFICATION: PERFORMANCE AND RATINGS
SD-75555-***	FINAL ASSEMBLY CONFIGURATION DRAWING

A3
A3

REV/ADD NOTES IEC NO: UCP2008-1370 DRAWN: DUILLES CHKD: 2008/01/03 APPR: APATEL DESCRIPTION: 2008/01/09	QUALITY SYMBOLS	GENERAL TOLERANCES (UNLESS SPECIFIED)	DIMENSION STYLE	SCALE	DESIGN UNITS	THIRD ANGLE PROJECTION
	▽=0	4 PLACES ± .010 ± .008	MM/IN	4:1	METRIC	POWER DOCK SR. 80 AMP MODULE, PLUG
	▽=0	3 PLACES ± .020 ± .013				
	▽=0	1 PLACE ± .033 ± .020				
		ANGULAR ±1/2°				
		DRAFT WHERE APPLICABLE MUST REMAIN WITHIN DIMENSIONS				
			MATERIAL NO.	DOCUMENT NO.		
			SEE CHART	SD-75561-200		
			SIZE D			
			THIS DRAWING CONTAINS INFORMATION THAT IS PROPRIETARY TO MOLEX INCORPORATED AND SHOULD NOT BE USED WITHOUT WRITTEN PERMISSION			