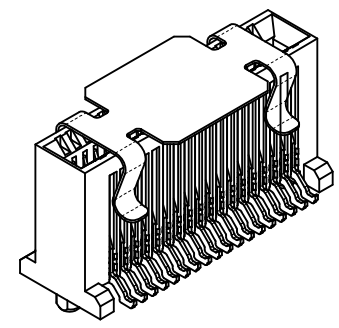


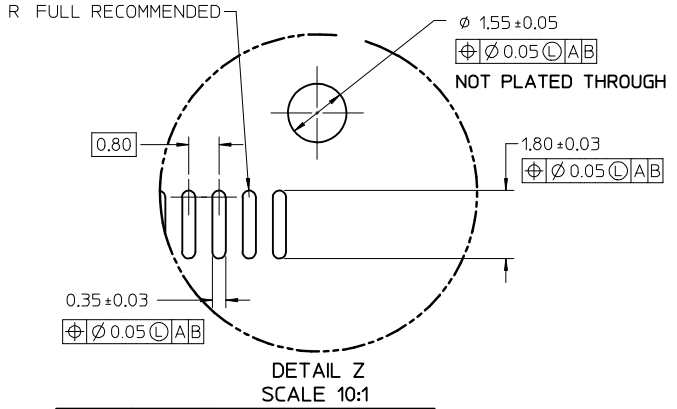
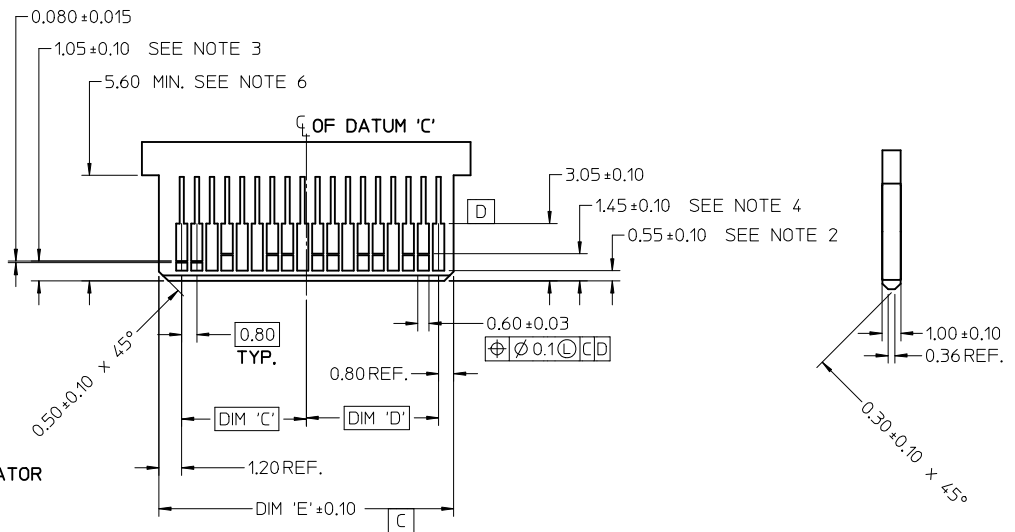
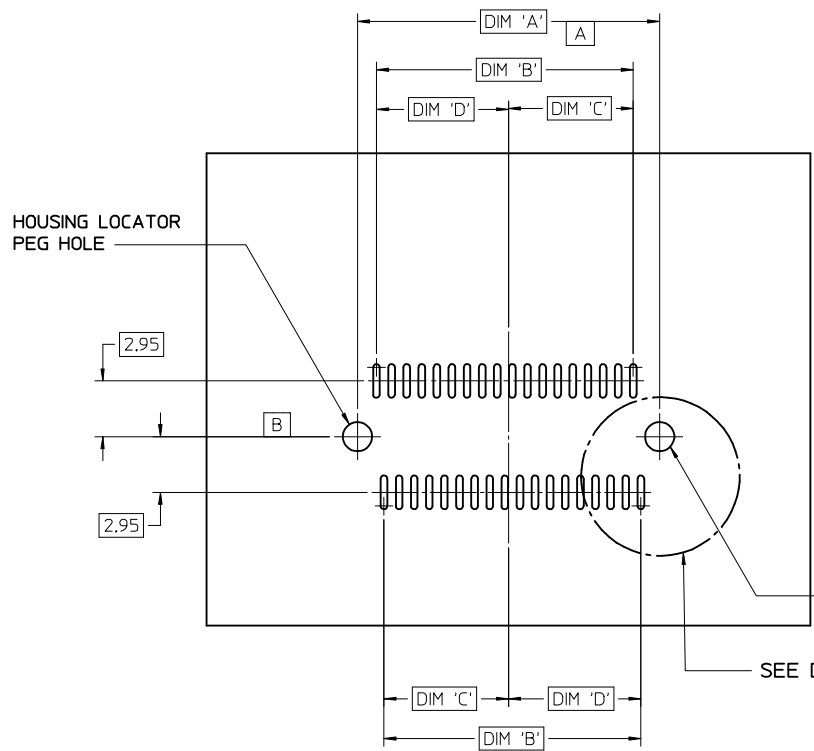
36 CIRCUIT ASSEMBLY SHOWN

- NOTES:
- MATERIAL:
HOUSING - HIGH TEMPERATURE THERMOPLASTIC GLASS FILLED, UL 94V-0, BLACK
TERMINALS - COPPER ALLOY
 - TERMINAL PLATING:
OPTION 1
CONTACT AREA: 0.384mm HARD GOLD OVER 2.544mm NICKEL
SOLDER AREA: 2.54-5.094mm TIN OVER 1.274mm NICKEL
OPTION 2
CONTACT AREA: 0.764mm HARD GOLD OVER 2.544mm NICKEL
SOLDER AREA: 2.54-5.094mm TIN OVER 1.274mm NICKEL
 - TERMINAL SOLDER FEET TO BE COPLANAR WITHIN 0.10/004 MEASURED FROM FRONT HOUSING STANDOFF (DATUM E)
 - DATE CODE: 4 DIGIT (3 DIGIT DAY, 1 DIGIT YEAR)
 - CIRCUIT IDENTIFIER: SEE APPROPRIATE INDUSTRY SPECIFICATION FOR LOCATION OF PIN 1
 - MATES WITH INTERNAL CABLE SERIES:
79575/74563/79576/74573/79536/74562/74569/74586
USE WITH APPROPRIATE INTERNAL SHELL FROM SD-76010-002
 - LITTLE ROCK PACKAGING PER PK-75577-001
CHENGDU PACKAGING PER PK-75577-002
 - CONFORMS TO PRODUCT SPECIFICATION PS-75783-001
 - CONFORMS TO APPLICATION SPECIFICATION AS-75783-001

CIRCUIT SIZE	MAT'L NUMBER	PLATING OPTION	DIM 'A'	DIM 'B'	DIM 'C'
26	75577-1001	OPTION 1	13.40	11.80	12.00
26	75577-1005	OPTION 2	13.40	11.80	12.00
36	75577-1002	OPTION 1	17.40	15.80	16.00
36	75577-1006	OPTION 2	17.40	15.80	16.00
50	75577-1003	OPTION 1	23.00	21.40	21.60
50	75577-1007	OPTION 2	23.00	21.40	21.60
68	75577-1004	OPTION 1	30.20	28.60	28.80
68	75577-1008	OPTION 2	30.20	28.60	28.80



REV CHART 50 CKT EC NO: UCP2014-1425 DRWN:KB INGHAM 2013/09/26 CHKD:TWCCLELLAND 2013/09/27 APPR:TWCCLELL 2013/09/27	QUALITY SYMBOLS 	GENERAL TOLERANCES (UNLESS SPECIFIED) mm INCH		DIMENSION STYLE MM ONLY		SCALE 5:1	DESIGN UNITS METRIC	THIRD ANGLE PROJECTION
		4 PLACES ± --- ± ---	DRAWN BY JLSWENSON	DATE 06/07/07	TITLE SALES DRAWING IPASS VERTICAL CONNECTOR .8 MM PITCH I/O			
		3 PLACES ± --- ± ---	CHECKED BY KLANG	DATE 06/07/07	mox			
		2 PLACES ± 0.13 ± ---	APPROVED BY MBANAKIS	DATE 06/07/07	DOCUMENT NO. SD-75577-002			
1 PLACE ± 0.25 ± ---	ANGULAR ±1/2°		DRAFT WHERE APPLICABLE MUST REMAIN WITHIN DIMENSIONS		MATERIAL NO. SEE CHART	SHEET NO. 1 OF 2		
0 PLACE ± ±	THIS DRAWING CONTAINS INFORMATION THAT IS PROPRIETARY TO MOLEX INCORPORATED AND SHOULD NOT BE USED WITHOUT WRITTEN PERMISSION							



36 CIRCUIT SHOWN
PATTERN FOR REPRESENTATION ONLY

- NOTES:
1. FOR APPROPRIATE SHELL FOOT PRINT AND KEEP OUT AREAS, SEE SD-76010-002
 2. PAD CONFIGURATION FOR FIRST MATE
 3. PAD CONFIGURATION FOR SECOND MATE
 4. PAD CONFIGURATION FOR THIRD MATE (HIGH SPEED SIGNALS)
 5. FOR PIN ASSIGNMENTS AND MATING SEQUENCE (1ST, 2ND, 3RD), SEE APPLICABLE SPECIFICATION
 6. MINIMUM STEP REQUIRED IF PCB MADE WIDER THAN CARD TONGUE

CIRCUIT SIZE	DIMENSIONS				
	DIM 'A'	DIM 'B'	DIM 'C'	DIM 'D'	DIM 'E'
26	12.00	9.60	4.60	5.00	11.60
36	16.00	13.60	6.60	7.00	15.60
50	21.60	19.20	9.40	9.80	21.20
68	28.80	26.40	13.00	13.40	28.40

SEE SHEET 1 EC NO: UCP2014-1425 DRINKINGHAM 2013/09/26 CHKD:MCLELLAND 2013/09/27 APPR:MCLELL 2013/09/27	QUALITY SYMBOLS 	GENERAL TOLERANCES (UNLESS SPECIFIED) <table border="1"> <tr> <th></th> <th>mm</th> <th>INCH</th> </tr> <tr> <td>4 PLACES</td> <td>± 0.13</td> <td>± 0.005</td> </tr> <tr> <td>3 PLACES</td> <td>± 0.25</td> <td>± 0.010</td> </tr> <tr> <td>2 PLACES</td> <td>± 0.38</td> <td>± 0.015</td> </tr> <tr> <td>1 PLACE</td> <td>± 0.51</td> <td>± 0.020</td> </tr> <tr> <td>0 PLACE</td> <td>± 0.64</td> <td>± 0.025</td> </tr> </table>		mm	INCH	4 PLACES	± 0.13	± 0.005	3 PLACES	± 0.25	± 0.010	2 PLACES	± 0.38	± 0.015	1 PLACE	± 0.51	± 0.020	0 PLACE	± 0.64	± 0.025	DIMENSION STYLE MM ONLY DRAWN BY: JL SWENSON DATE: 06/07/07 CHECKED BY: KLANG DATE: 06/07/07 APPROVED BY: MBANAKIS DATE: 06/07/07	SCALE: 5:1 DESIGN UNITS: METRIC THIRD ANGLE PROJECTION
		mm	INCH																			
	4 PLACES	± 0.13	± 0.005																			
	3 PLACES	± 0.25	± 0.010																			
2 PLACES	± 0.38	± 0.015																				
1 PLACE	± 0.51	± 0.020																				
0 PLACE	± 0.64	± 0.025																				
DRAFT WHERE APPLICABLE MUST REMAIN WITHIN DIMENSIONS		MATERIAL NO. SEE SHEET 1	SALES DRAWING IPASS VERTICAL CONNECTOR .8 MM PITCH I/O molex																			
		DOCUMENT NO. SD-75577-002	SHEET NO. 2 OF 2																			
THIS DRAWING CONTAINS INFORMATION THAT IS PROPRIETARY TO MOLEX INCORPORATED AND SHOULD NOT BE USED WITHOUT WRITTEN PERMISSION																						