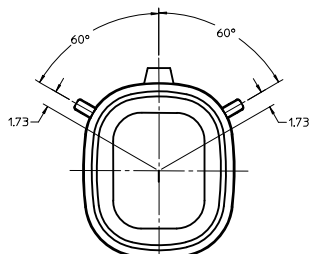
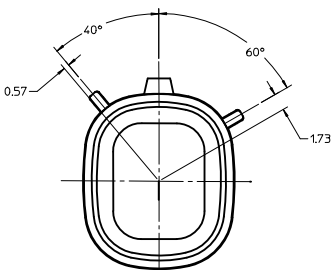


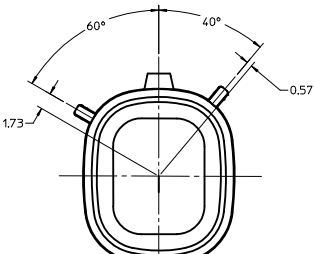
CUSTOMER SHROUD DESIGN DETAILS



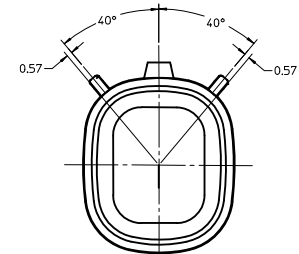
KEYING OPTION "A"
SUGGESTED COLOR: BLACK



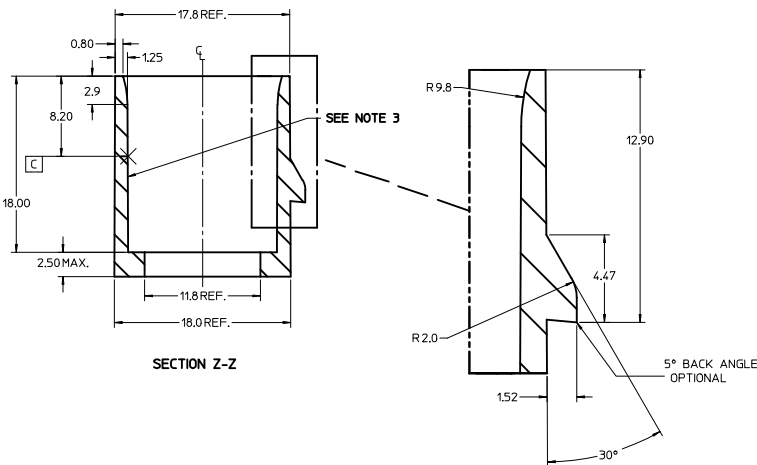
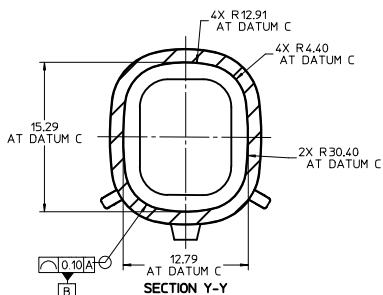
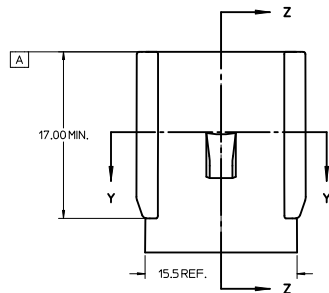
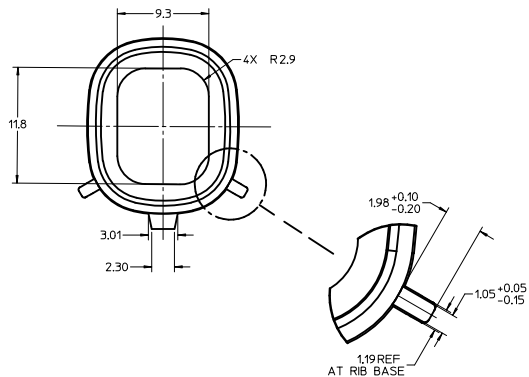
KEYING OPTION "B"
SUGGESTED COLOR: GREY



KEYING OPTION "C"
SUGGESTED COLOR: BROWN



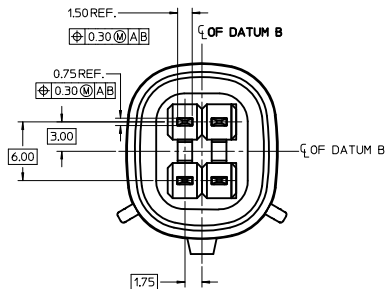
KEYING OPTION "D"
SUGGESTED COLOR: GREEN



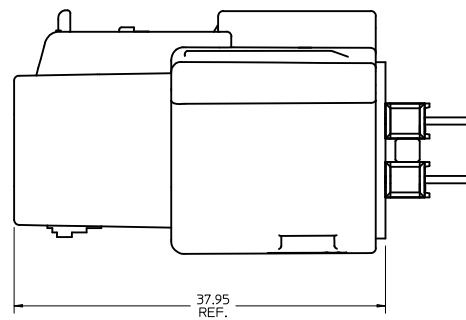
NOTES:

1. REFER TO MOLEX SALES DRAWING SD-75757-002 FOR THE HEADER ASSEMBLY PRODUCT DETAILS AND RECOMMENDED PCB LAYOUT.
2. KEYING OPTIONS A-D AND SUGGESTED COLORS COMPLY TO THE POLARIZATION STANDARDS ESTABLISHED FOR MATING WITH A MX150 FEMALE CONNECTOR.
3. INTERIOR SHROUD SURFACE MUST BE FREE OF DEFECTS AND PARTING LINES ALL AROUND TO ENSURE PROPER SEALING OF THE MATING MX150 FEMALE CONNECTOR.
4. A FULL SHROUD ON THE MATING CONNECTOR IS REQUIRED TO INSURE THE HEADER SHROUD POLARIZATION FEATURES (OPTIONS A-D) WILL FUNCTION PROPERLY. THE FULL SHROUD ALSO PREVENTS SCOOP DAMAGE TO THE HEADER CONTACTS.
5. PERMISSIBLE DRAFT ANGLE 0.25° MAXIMUM.
6. RADII ON ALL CORNERS SHOWN SHARP OR ALL UNSPECIFIED RADII 0.25 EXCEPT AS NOTED.
7. DIMENSIONS SHOWN ABOUT A CENTERLINE ARE SYMMETRICAL ABOUT THAT CENTERLINE WITHIN HALF THE SPECIFIED TOLERANCE.

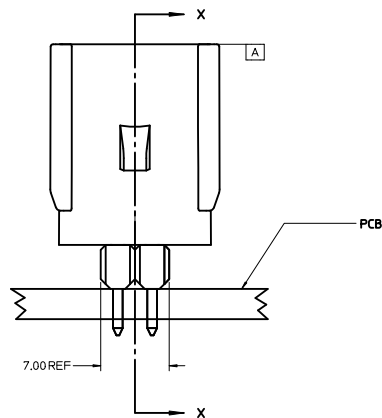
ADDED ASSY VIEW EC NO: UJCP2011-2680 DRAWN BY: DRWNDRSCA CHYD: APPR: JCOMERCL 2011/03/07	QUALITY SYMBOLS ▽=0 ▽=0		GENERAL TOLERANCES (UNLESS SPECIFIED)		DIMENSION STYLE MM ONLY		SCALE 4:1		DESIGN UNITS METRIC		THIRD ANGLE PROJECTION	
	4 PLACES ± --- ± --- 3 PLACES ± --- ± --- 2 PLACES ± 0.01 ± --- 1 PLACE ± 0.2 ± ---		mm INCH		DRAWN BY: JJANTELEZIO DATE: 05/08/2006 CHECKED BY: DATE:		APPROVED BY: BANAKIS DATE: 05/08/2006		MATERIAL NO: 75757-2020		DOCUMENT NO: AS-75757-202	
	ANGULAR ±1/2°		DRAFT WHERE APPLICABLE MUST REMAIN WITHIN DIMENSIONS		MOLEX INCORPORATED		SHEET NO. 1 OF 2		APPLICATION SPEC 2X2 MX150 HEADER SHROUD DETAILS			
	THIS DRAWING CONTAINS INFORMATION THAT IS PROPRIETARY TO MOLEX INCORPORATED AND SHOULD NOT BE USED WITHOUT WRITTEN PERMISSION											



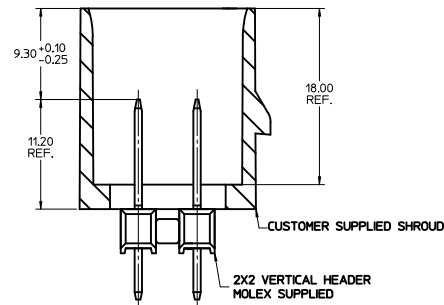
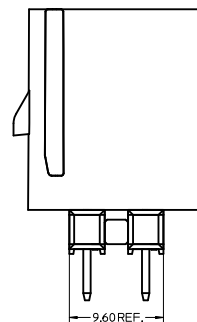
NOTES:
 1. ADHERENCE TO THE HEADER APPLICATION DETAILS IS IMPERATIVE TO ENSURE PROPER SHROUD SEALING AND CONTACT ALIGNMENT WHEN MATED WITH A MX150 FEMALE CONNECTOR.



CONNECTOR ASSEMBLY

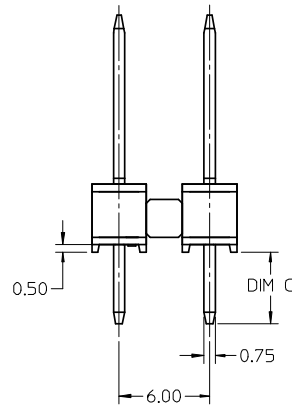
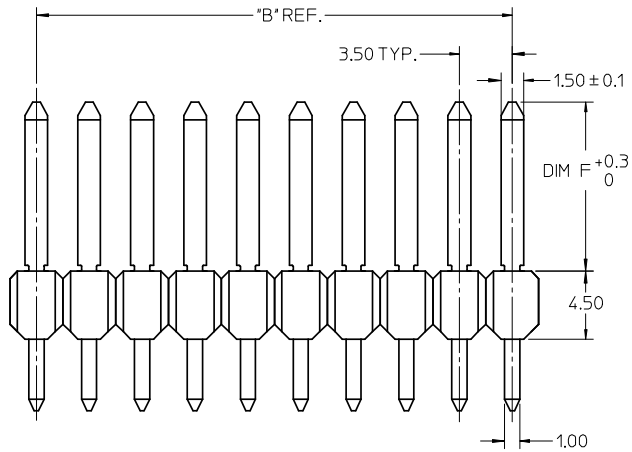
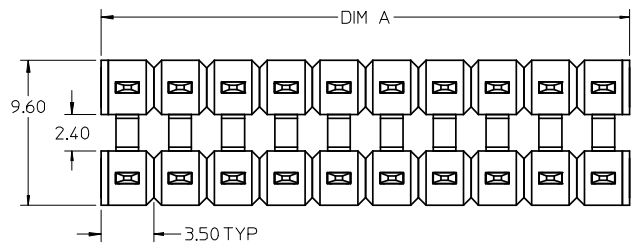


HEADER APPLICATION DETAILS



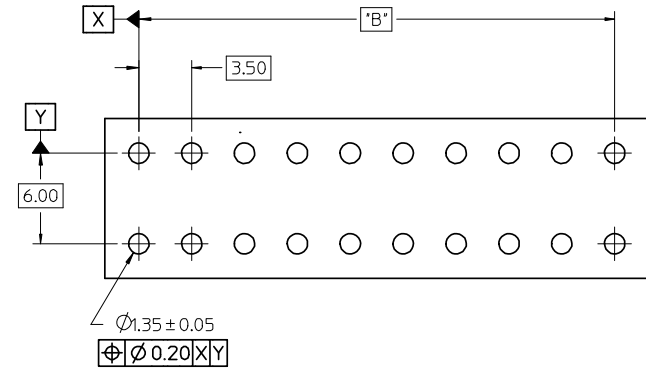
SECTION X-X

SEE SHT 1 IEC NO. UCP2011-2680 DRAWN BY DRWN:ROSICA 2011/03/04 CHKD: APPR: JCOMERCL 2011/03/07 REV DESCRIPTION	QUALITY SYMBOLS $\nabla=0$ $\nabla=0$		GENERAL TOLERANCES (UNLESS SPECIFIED) mm INCH		DIMENSION STYLE MM ONLY		SCALE 4:1	DESIGN UNITS METRIC	THIRD ANGLE PROJECTION
	4 PLACES	±	---	±	---	DRAWN BY JJANTELEZIO	DATE 05/08/2006	TITLE APPLICATION SPEC 2X2 MX150 HEADER SHROUD DETAILS	
	3 PLACES	±	---	±	---	CHECKED BY TMCLELL	DATE 05/08/2006	MOLEX INCORPORATED	
	2 PLACES	±	0.01	±	---	APPROVED BY BANAKIS	DATE 05/08/2006	MATERIAL NO. 75757-2020	DOCUMENT NO. AS-75757-202
1 PLACE	±	0.2	±	---	ANGULAR ±1/2°		SHEET NO. 2 OF 2		
DRAFT WHERE APPLICABLE MUST REMAIN WITHIN DIMENSIONS					THIS DRAWING CONTAINS INFORMATION THAT IS PROPRIETARY TO MOLEX INCORPORATED AND SHOULD NOT BE USED WITHOUT WRITTEN PERMISSION				



NOTES:

1. TERMINAL MAT'L: ALLOY C26000, CARTRIDGE BRASS
2. WAFER MAT'L: 30% GLASS FILLED LCP, 94V-0, COLOR BLACK.
3. TERMINAL PLATING:
 - OPTION 4 - 1.5µm MIN MATTE TIN OVERALL OVER 1.25µm NICKEL OVERALL
 - OPTION 1 - 2.5µm MIN MATTE TIN OVERALL OVER 1.25µm NICKEL OVERALL
 - OPTION 2 - 1.25µm NICKEL OVERALL 2.5µm MIN SELECT MATTE TIN PC TAIL AREA 0.05-0.25µm SELECT GOLD CONTACT AREA
 - OPTION 3 - 1.25µm NICKEL OVERALL 2.5µm MIN SELECT MATTE TIN PC TAIL AREA 0.75µm SELECT GOLD CONTACT AREA
4. HEADER ASSEMBLIES ARE TUBE PACKAGED PER PK-75757-9900.
5. COMPLIES WITH USCAR 1.5mm TERMINAL BLADE SPECIFICATION.



RECOMMENDED PCB LAYOUT

REMOVED EXTRA DIM EC NO: UCP2009-0126 2008/07/16 IDRW:PROSCA 2008/07/16 CHKD: 2008/07/16 APPR.:JCOMERCI 2008/07/16	QUALITY SYMBOLS ▽=0 ▽=0	GENERAL TOLERANCES (UNLESS SPECIFIED)		DIMENSION STYLE MM ONLY		SCALE 4:1	DESIGN UNITS METRIC	THIRD ANGLE PROJECTION		
		4 PLACES	± ---	± ---	DRAWN BY	DATE	MX150 DUAL ROW BREAK-AWAY VERTICAL HEADER ASSEMBLY			
		3 PLACES	± ---	± ---	CHECKED BY	DATE				
		2 PLACES	± 0.13	± ---	APPROVED BY	DATE	MOLEX INCORPORATED			
1 PLACE	± 0.25	± ---	BANAKIS	1/18/05						
ANGULAR ± 1/2°			MATERIAL NO. SEE CHART		DOCUMENT NO. SD-75757-002		SHEET NO. 1 OF 2			
DRAFT WHERE APPLICABLE MUST REMAIN WITHIN DIMENSIONS			SIZE C		THIS DRAWING CONTAINS INFORMATION THAT IS PROPRIETARY TO MOLEX INCORPORATED AND SHOULD NOT BE USED WITHOUT WRITTEN PERMISSION					

