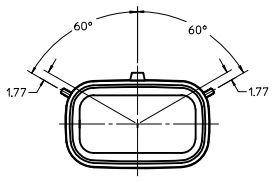
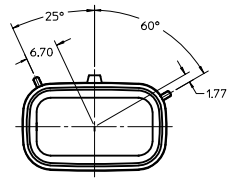


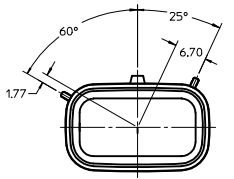
CUSTOMER SHROUD DESIGN DETAILS



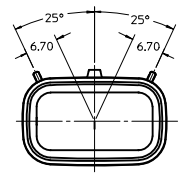
KEYING OPTION 'A'
SUGGESTED COLOR: BLACK



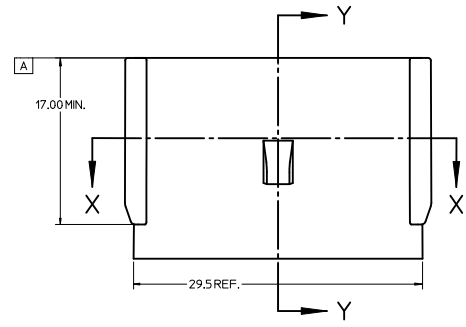
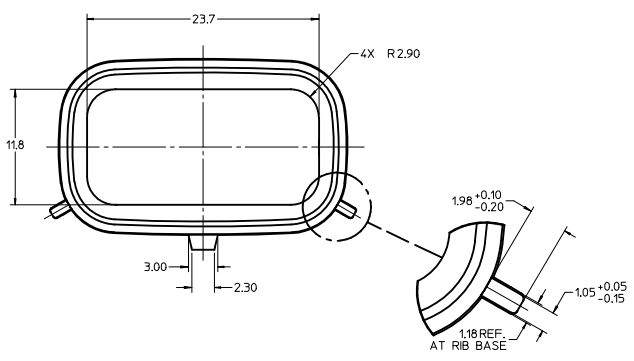
KEYING OPTION 'B'
SUGGESTED COLOR: GREY



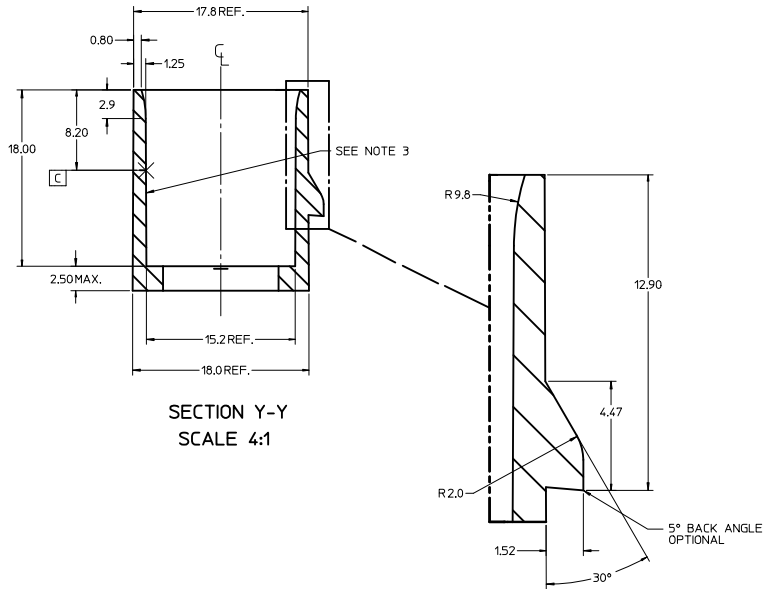
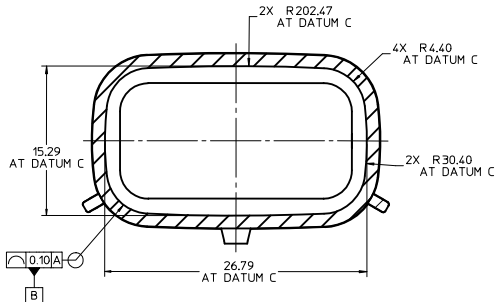
KEYING OPTION 'C'
SUGGESTED COLOR: BROWN



KEYING OPTION 'D'
SUGGESTED COLOR: GREEN



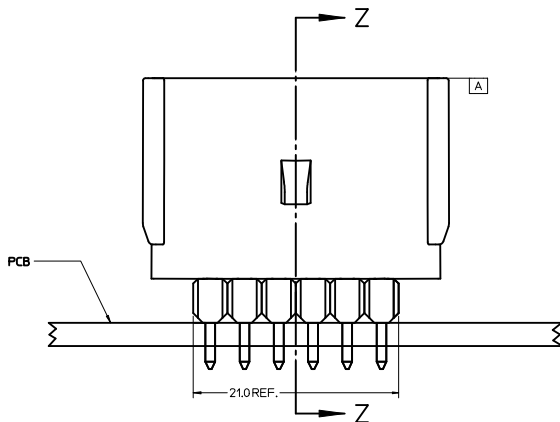
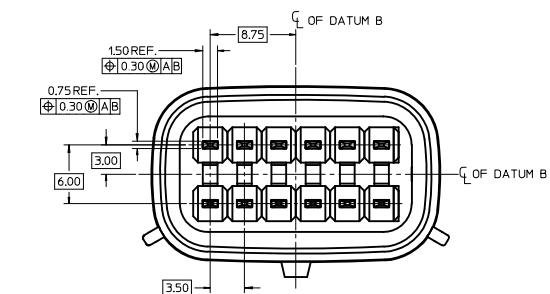
SECTION X-X
SCALE 4:1



SECTION Y-Y
SCALE 4:1

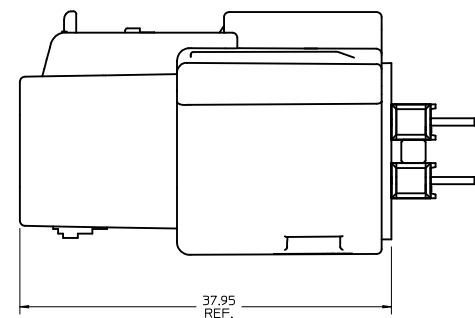
- NOTES:**
- REFER TO MOLEX SALES DRAWING SD-75757-002 FOR THE HEADER ASSEMBLY PRODUCT DETAILS AND RECOMMENDED PCB LAYOUT.
 - KEYING OPTIONS A-D AND SUGGESTED COLORS COMPLY TO THE POLARIZATION STANDARDS ESTABLISHED FOR MATING WITH A MX150 FEMALE CONNECTOR.
 - INTERIOR SHROUD SURFACE MUST BE FREE OF DEFECTS AND PARTING LINES ALL AROUND TO ENSURE PROPER SEALING OF THE MATING MX150 FEMALE CONNECTOR.
 - A FULL SHROUD ON THE MATING CONNECTOR IS REQUIRED TO INSURE THE HEADER SHROUD POLARIZATION FEATURES (OPTIONS A-D) WILL FUNCTION PROPERLY. THE FULL SHROUD ALSO PREVENTS SCOOP DAMAGE TO THE HEADER CONTACTS.
 - PERMISSIBLE DRAFT ANGLE 0.25° MAXIMUM.
 - RADII ON ALL CORNERS SHOWN SHARP OR ALL UNSPECIFIED RADII 0.25 EXCEPT AS NOTED.
 - DIMENSIONS SHOWN ABOUT A CENTERLINE ARE SYMMETRICAL ABOUT THAT CENTERLINE WITHIN HALF THE SPECIFIED TOLERANCE.

ADDED PLUG ASSY EC NO: UCP2011-2680 DRAWN BY: DRWNDRSCA CHYD: APPR: JCOMERCL 2011/03/07 DESCRIPTION	QUALITY SYMBOLS ▽=0 ▽=0		GENERAL TOLERANCES (UNLESS SPECIFIED)		DIMENSION STYLE MM ONLY		SCALE 2:1		DESIGN UNITS METRIC		THIRD ANGLE PROJECTION	
	4 PLACES ± --- ± --- 3 PLACES ± --- ± --- 2 PLACES ± 0.10 ± --- 1 PLACE ± 0.2 ± ---		mm INCH		DRAWN BY: TMCCLLELL DATE: 03/29/06 CHECKED BY: DATE: 03/29/06 APPROVED BY: BANAKIS DATE: 03/30/06		MATERIAL NO: 75757-2060		DOCUMENT NO: AS-75757-206		APPLICATION SPEC 2X6 MX150 HEADER SHROUD DETAILS	
	ANGULAR ±1/2°		DRAFT WHERE APPLICABLE MUST REMAIN WITHIN DIMENSIONS		SIZE D		MOLEX INCORPORATED		SHEET NO. 1 OF 2		THIS DRAWING CONTAINS INFORMATION THAT IS PROPRIETARY TO MOLEX INCORPORATED AND SHOULD NOT BE USED WITHOUT WRITTEN PERMISSION	

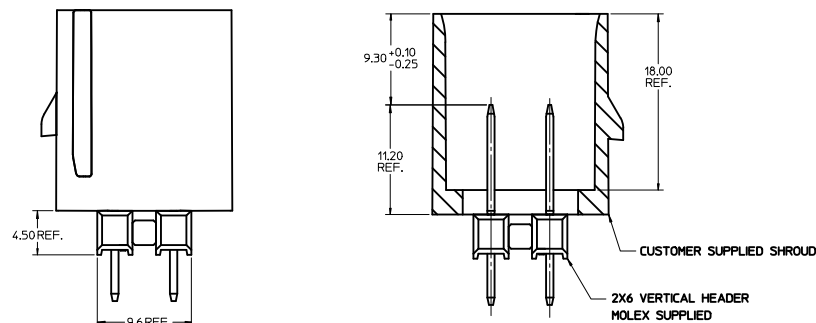


HEADER APPLICATION DETAILS

NOTES:
 1. ADHERENCE TO THE HEADER APPLICATION DETAILS IS IMPERATIVE TO ENSURE PROPER SHROUD SEALING AND CONTACT ALIGNMENT WHEN MATED WITH A MX150 FEMALE CONNECTOR.

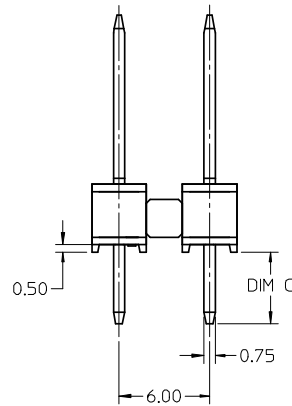
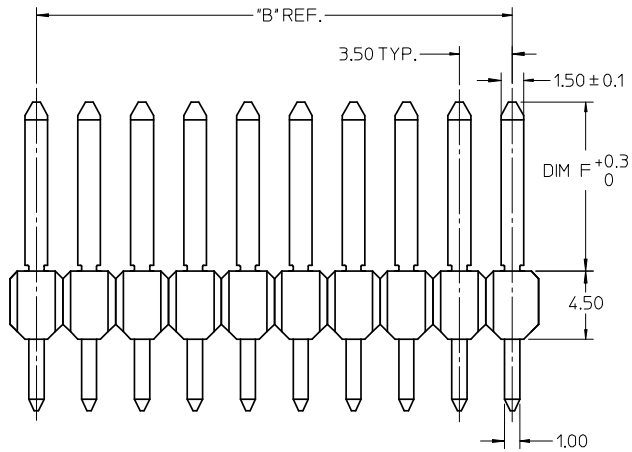
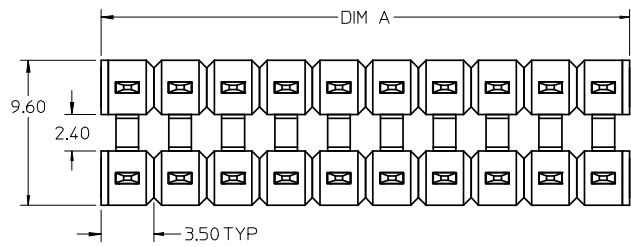


CONNECTOR ASSEMBLY



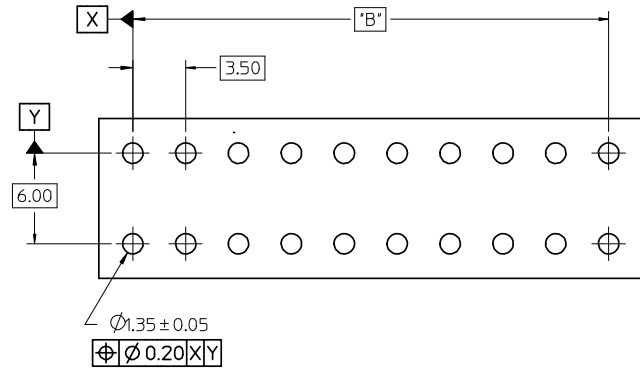
SECTION Z-Z

SEE SHEET 1 IEC NO. UCP2011-2680 DRAWN BY: DRWN:DROSCA CHKD: APPR: JCOMERCL 2011/03/07	QUALITY SYMBOLS	GENERAL TOLERANCES (UNLESS SPECIFIED)	DIMENSION STYLE	SCALE	DESIGN UNITS	THIRD ANGLE PROJECTION	
	▽=0 ▽=0	mm INCH 4 PLACES ± --- ± --- 3 PLACES ± --- ± --- 2 PLACES ± 0.10 ± --- 1 PLACE ± 0.2 ± --- ANGULAR ± 1/2°	MM ONLY DRAWN BY: TMCLELL DATE: 03/29/06 CHECKED BY: DATE: APPROVED BY: DATE: 03/30/06	4:1	METRIC		
	DRAFT WHERE APPLICABLE MUST REMAIN WITHIN DIMENSIONS	MATERIAL NO. 75757-2060	DOCUMENT NO. AS-75757-206	APPLICATION SPEC 2X6 MX150 HEADER SHROUD DETAILS		MOLEX INCORPORATED	SHEET NO. 2 OF 2
	SIZE D	THIS DRAWING CONTAINS INFORMATION THAT IS PROPRIETARY TO MOLEX INCORPORATED AND SHOULD NOT BE USED WITHOUT WRITTEN PERMISSION					



NOTES:

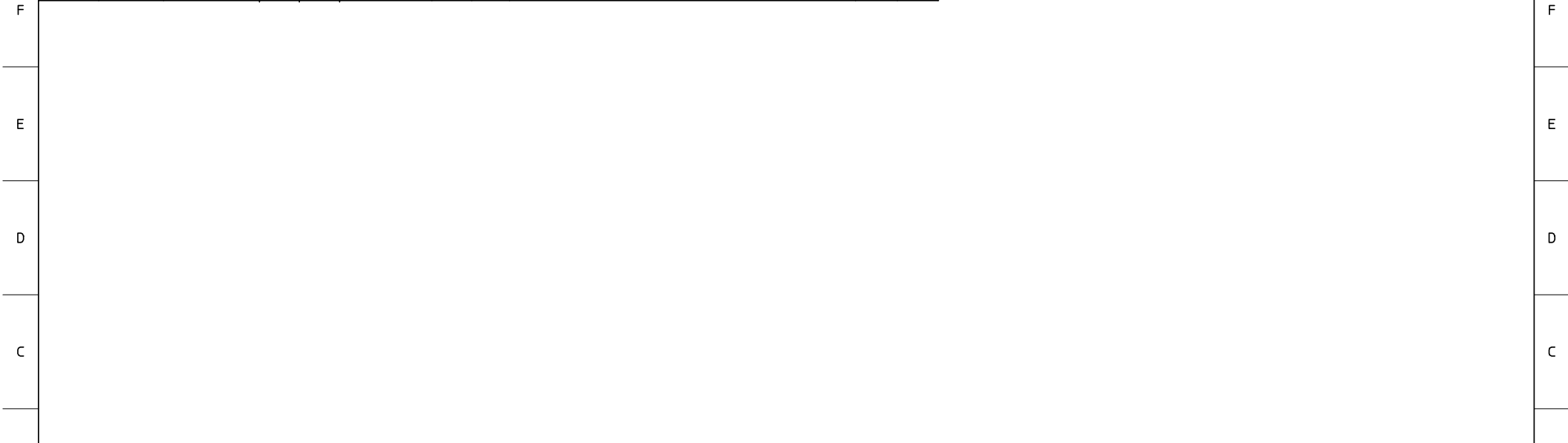
1. TERMINAL MAT'L: ALLOY C26000, CARTRIDGE BRASS
2. WAFER MAT'L: 30% GLASS FILLED LCP, 94V-0, COLOR BLACK.
3. TERMINAL PLATING:
 - OPTION 4 - 1.5µm MIN MATTE TIN OVERALL OVER 1.25µm NICKEL OVERALL
 - OPTION 1 - 2.5µm MIN MATTE TIN OVERALL OVER 1.25µm NICKEL OVERALL
 - OPTION 2 - 1.25µm NICKEL OVERALL 2.5µm MIN SELECT MATTE TIN PC TAIL AREA 0.05-0.25µm SELECT GOLD CONTACT AREA
 - OPTION 3 - 1.25µm NICKEL OVERALL 2.5µm MIN SELECT MATTE TIN PC TAIL AREA 0.75µm SELECT GOLD CONTACT AREA
4. HEADER ASSEMBLIES ARE TUBE PACKAGED PER PK-75757-9900.
5. COMPLIES WITH USCAR 1.5mm TERMINAL BLADE SPECIFICATION.



RECOMMENDED PCB LAYOUT

REMOVED EXTRA DIM EC NO: UCP2009-0126 DRWN: PROSCA CHKD: JCOMERC APPR: JCOMERC 2008/07/16 2008/07/16 2008/07/16	DESCRIPTION B	QUALITY SYMBOLS ▽=0 ▽=0	GENERAL TOLERANCES (UNLESS SPECIFIED)		DIMENSION STYLE MM ONLY		SCALE 4:1	DESIGN UNITS METRIC	THIRD ANGLE PROJECTION		
			4 PLACES ± --- ± ---	3 PLACES ± --- ± ---	mm	INCH	DRAWN BY TMCCLELL	DATE 1/18/05	MX150 DUAL ROW BREAK-AWAY VERTICAL HEADER ASSEMBLY MOLEX INCORPORATED		
			2 PLACES ± 0.13 ± ---	1 PLACE ± 0.25 ± ---	ANGULAR ± 1/2°		CHECKED BY TMCCLELL	DATE 1/18/05			
			DRAFT WHERE APPLICABLE MUST REMAIN WITHIN DIMENSIONS		SEE CHART		APPROVED BY BANAKIS		DATE 1/18/05	MOLEX INCORPORATED DOCUMENT NO. SD-75757-002	

	13	12	11	10	9	8	7	6	5	4	3	2	1			
J	2 x 2	1 75757-6121 2 75757-6221 3 75757-6321 4 75757-6421	3.05	27.77	75757-5121 75757-5221 75757-5321 75757-5421	3.05	16.09	75757-1121 75757-1221 75757-1321 75757-1421	3.05	11.20	75757-1122 75757-1222 75757-1322 75757-1422	4.75	11.20	7.0 3.50 REF		
I	2 x 3	1 75757-6131 2 75757-6231 3 75757-6331 4 75757-6431			75757-5131 75757-5231 75757-5331 75757-5431			75757-1131 75757-1231 75757-1331 75757-1431			75757-1132 75757-1232 75757-1332 75757-1432			10.5 7.00		
I	2 x 4	1 75757-6141 2 75757-6241 3 75757-6341 4 75757-6441			75757-5141 75757-5241 75757-5341 75757-5441			75757-1141 75757-1241 75757-1341 75757-1441			75757-1142 75757-1242 75757-1342 75757-1442			14.0 10.50		
H	2 x 6	1 75757-6161 2 75757-6261 3 75757-6361 4 75757-6461			75757-5161 75757-5261 75757-5361 75757-5461			75757-1161 75757-1261 75757-1361 75757-1461			75757-1162 75757-1262 75757-1362 75757-1462			21.0 17.50		
G	2 x 8	1 75757-6181 2 75757-6281 3 75757-6381 4 75757-6481			75757-5181 75757-5281 75757-5381 75757-5481			75757-1181 75757-1281 75757-1381 75757-1481			75757-1182 75757-1282 75757-1382 75757-1482			28.0 24.50		
G	2 x 10	1 75757-6101 2 75757-6201 3 75757-6301 4 75757-6401			75757-5101 75757-5201 75757-5301 75757-5401			75757-1101 75757-1201 75757-1301 75757-1401			75757-1102 75757-1202 75757-1302 75757-1402			35.0 31.50		
F	CKT SIZE	PLATING OPTION	MATERIAL NUMBER	*C* DIM	*F* DIM	MATERIAL NUMBER	*C* DIM	*F* DIM	MATERIAL NUMBER	*C* DIM	*F* DIM	MATERIAL NUMBER	*C* DIM	*F* DIM	*A* DIM	*B* DIM



ENTER DESCRIPTION EC NO: UCP2009-0126 DRW: DRWDRSCA 2008/07/16 CHKD: 2008/07/16 APPR: JCOMERCI 2008/07/16 REV:	QUALITY SYMBOLS = 0 = 0	GENERAL TOLERANCES (UNLESS SPECIFIED) <table border="1"> <tr> <td></td> <td>mm</td> <td>INCH</td> </tr> <tr> <td>4 PLACES</td> <td>± ---</td> <td>± ---</td> </tr> <tr> <td>3 PLACES</td> <td>± ---</td> <td>± ---</td> </tr> <tr> <td>2 PLACES</td> <td>± 0.13</td> <td>± ---</td> </tr> <tr> <td>1 PLACE</td> <td>± 0.25</td> <td>± ---</td> </tr> </table>		mm	INCH	4 PLACES	± ---	± ---	3 PLACES	± ---	± ---	2 PLACES	± 0.13	± ---	1 PLACE	± 0.25	± ---	DIMENSION STYLE MM ONLY	SCALE 1:1	DESIGN UNITS METRIC	THIRD ANGLE PROJECTION
		mm	INCH																		
	4 PLACES	± ---	± ---																		
	3 PLACES	± ---	± ---																		
2 PLACES	± 0.13	± ---																			
1 PLACE	± 0.25	± ---																			
DRAFT WHERE APPLICABLE MUST REMAIN WITHIN DIMENSIONS	APPROVED BY BANAK IS 1/18/05	TITLE MX150 DUAL ROW BREAK-AWAY VERTICAL HEADER ASSEMBLY	DRAWN BY DATE TMCCLELL 1/18/05	CHECKED BY DATE TMCCLELL 1/18/05	MOLEX INCORPORATED	SHEET NO. 2 OF 2															
SEE TABLE	MATERIAL NO.	DOCUMENT NO. SD-75757-002	APPROVED BY DATE BANAK IS 1/18/05	SCALE 1:1	DESIGN UNITS METRIC	THIRD ANGLE PROJECTION															
THIS DRAWING CONTAINS INFORMATION THAT IS PROPRIETARY TO MOLEX INCORPORATED AND SHOULD NOT BE USED WITHOUT WRITTEN PERMISSION	SIZE 	APPROVED BY DATE BANAK IS 1/18/05	DRAWN BY DATE TMCCLELL 1/18/05	CHECKED BY DATE TMCCLELL 1/18/05	MOLEX INCORPORATED	SHEET NO. 2 OF 2															