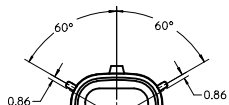


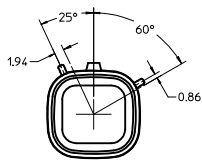
# CUSTOMER SHROUD DESIGN DETAILS

**NOTES:**

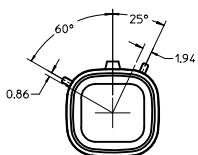
- REFER TO MOLEX SALES DRAWING SD-75900-001 FOR THE R/A HEADER ASSEMBLY PRODUCT DETAILS AND RECOMMENDED PCB LAYOUT.
- KEYING OPTIONS A-D AND SUGGESTED COLORS COMPLY TO THE POLARIZATION STANDARDS ESTABLISHED FOR MATING WITH A MX150 FEMALE CONNECTOR.
- INTERIOR SHROUD SURFACE MUST BE FREE OF DEFECTS AND PARTING LINES ALL AROUND TO ENSURE PROPER SEALING OF THE MATING MX150 FEMALE CONNECTOR.
- A FULL SHROUD ON THE MATING CONNECTOR IS REQUIRED TO INSURE THE HEADER SHROUD POLARIZATION FEATURES (OPTIONS A-D) WILL FUNCTION PROPERLY. THE FULL SHROUD ALSO PREVENTS SCOOP DAMAGE TO THE HEADER CONTACTS.
- PERMISSIBLE DRAFT ANGLE 0.25\014\048\015 MAXIMUM.
- RADII ON ALL CORNERS SHOWN SHARP OR ALL UNSPECIFIED RADII 0.25 EXCEPT AS NOTED.
- DIMENSIONS SHOWN ABOUT A CENTERLINE ARE SYMMETRICAL ABOUT THAT CENTERLINE WITHIN HALF THE SPECIFIED TOLERANCE.



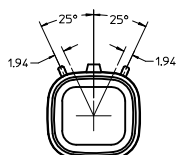
**KEYING OPTION 'A'**  
SUGGESTED COLOR BLACK



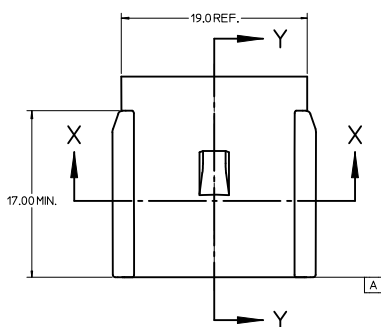
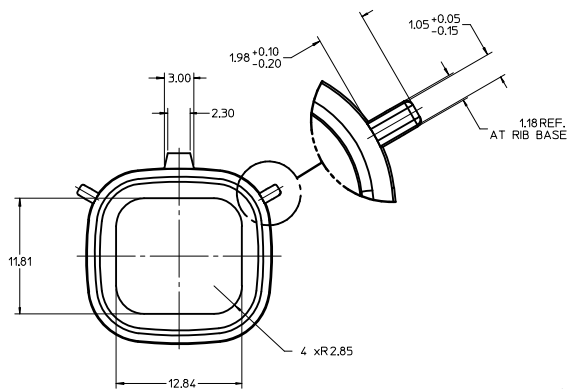
**KEYING OPTION 'B'**  
SUGGESTED COLOR GREY



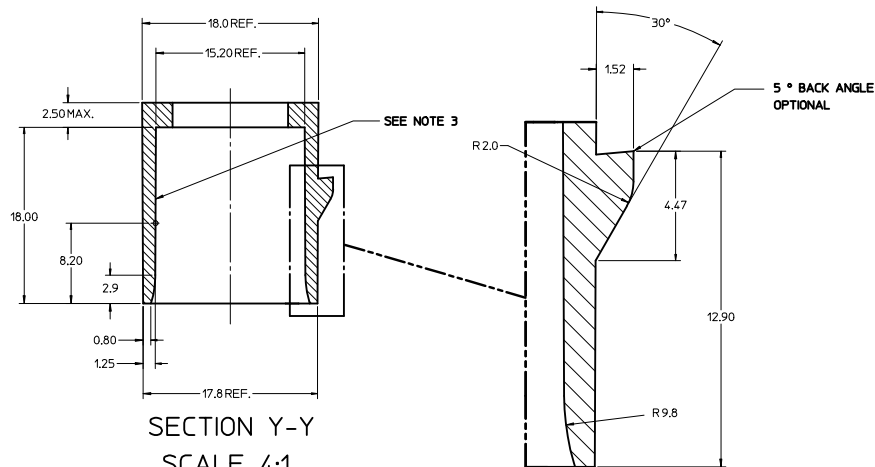
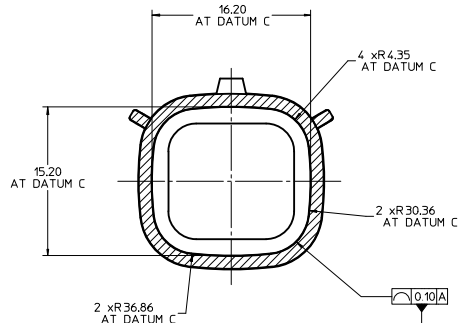
**KEYING OPTION 'C'**  
SUGGESTED COLOR BROWN



**KEYING OPTION 'D'**  
SUGGESTED COLOR GREEN

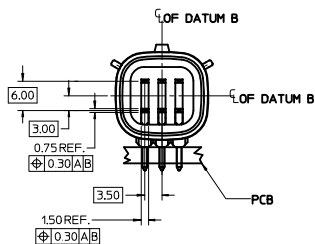
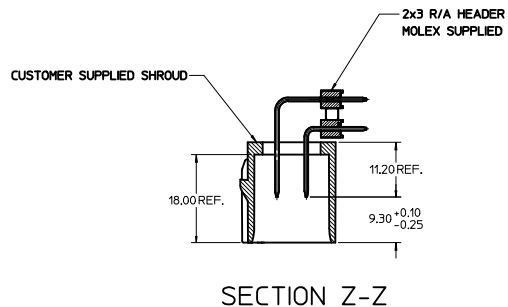
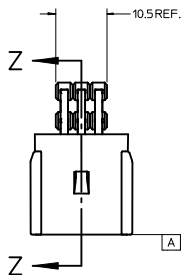


**SECTION X-X**  
SCALE 4:1

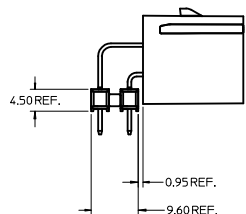


**SECTION Y-Y**  
SCALE 4:1

<b>CHANGE CLASS</b> IEC NO: UCP2012-0666 DRAWN BY: DROSCA CHKD: JCOMERCI APPR: JCOMERCI DATE: 2011/09/16	QUALITY SYMBOLS	GENERAL TOLERANCES (UNLESS SPECIFIED)	DIMENSION STYLE	SCALE	DESIGN UNITS	THIRD ANGLE PROJECTION
	▽=0 ▽=0	mm INCH 4 PLACES ± --- ± --- 3 PLACES ± --- ± --- 2 PLACES ± 0.10 ± --- 1 PLACE ± 0.2 ± --- ANGULAR ± 1/2°	MM ONLY DRAWN BY: DROSCA DATE: 04/26/07 CHECKED BY: JCOMERCI DATE: 04/26/07 APPROVED BY: JCOMERCI DATE: 04/26/07	2:1	METRIC	APPLICATION SPEC 2X3 MX150 R/A HEADER SHROUD DETAILS
	DRAFT WHERE APPLICABLE MUST REMAIN WITHIN DIMENSIONS	MATERIAL NO: 75900-2030	DOCUMENT NO: AS-75900-203	MOLEX INCORPORATED	SHEET NO: 1 OF 2	
	THIS DRAWING CONTAINS INFORMATION THAT IS PROPRIETARY TO MOLEX INCORPORATED AND SHOULD NOT BE USED WITHOUT WRITTEN PERMISSION					

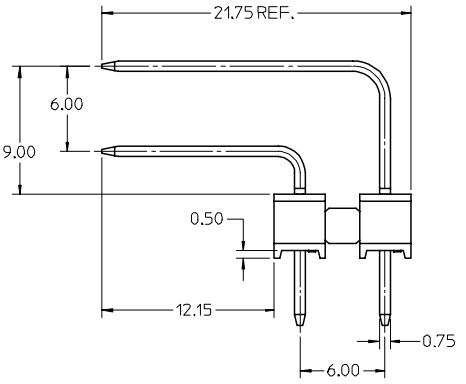
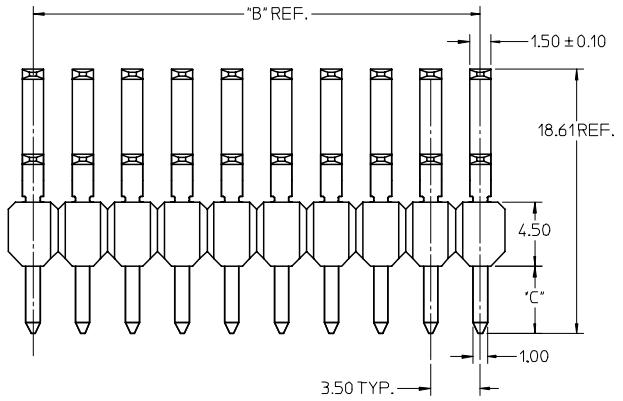
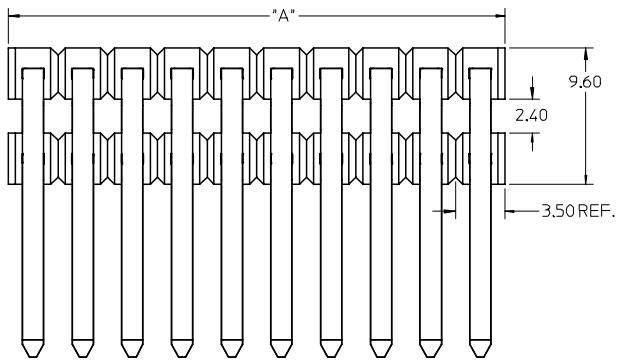


HEADER APPLICATION DETAILS

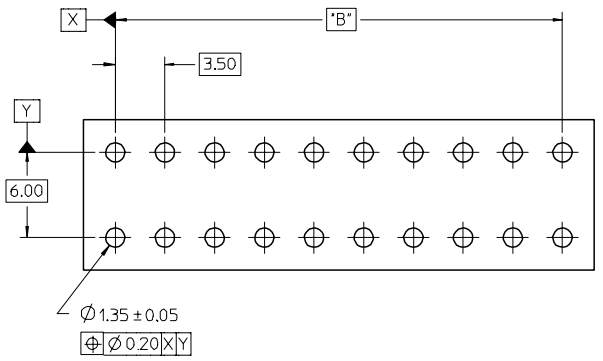


NOTES:  
1. ADHERENCE TO THE HEADER APPLICATION DETAILS IS IMPERATIVE TO ENSURE PROPOER SHROUD SEALING AND CONTACT ALIGNMENT WHEN MATED WITH A MX150 FEMALE CONNECTOR.

<b>ENTER DESCRIPTION</b> IEC NO. UCF2012-0866 DRAWN BY: DROSCA CHYD: APPR: JCOMERCI 2011/09/16	QUALITY SYMBOLS ▽=0 ▽=0	GENERAL TOLERANCES (UNLESS SPECIFIED)		DIMENSION STYLE <b>MM ONLY</b>	SCALE <b>2:1</b>	DESIGN UNITS <b>METRIC</b>	THIRD ANGLE PROJECTION	
		4 PLACES $\pm 0$ mm $\pm$ INCH 3 PLACES $\pm 0.10$ mm $\pm$ INCH 2 PLACES $\pm 0.25$ mm $\pm$ INCH 1 PLACE $\pm 0.50$ mm $\pm$ INCH	DRAWN BY DROSCA	DATE 04/26/07	TITLE <b>APPLICATION SPEC 2X3 MX150 R/A HEADER SHROUD DETAILS</b>			
		ANGULAR $\pm 1/2^\circ$	CHECKED BY JCOMERCI	DATE 04/26/07	MOLEX INCORPORATED			
		DRAFT WHERE APPLICABLE MUST REMAIN WITHIN DIMENSIONS	APPROVED BY JCOMERCI	DATE 04/26/07	MATERIAL NO. <b>75900-2030</b>	DOCUMENT NO. <b>AS-75900-203</b>	SHEET NO. 2 OF 2	
THIS DRAWING CONTAINS INFORMATION THAT IS PROPRIETARY TO MOLEX INCORPORATED AND SHOULD NOT BE USED WITHOUT WRITTEN PERMISSION								



- NOTES:
1. TERMINAL MAT'L: ALLOY C26000, CARTRIDGE BRASS
  2. WAFER MAT'L: 30% GLASS FILLED LCP, 94V-0, COLOR BLACK.
  3. TERMINAL PLATING:
    - OPTION 4 - 1.5µm MIN MATTE TIN OVERALL OVER 1.25µm NICKEL OVERALL
    - OPTION 1 - 2.5µm MIN MATTE TIN OVERALL OVER 1.25µm NICKEL OVERALL
    - OPTION 2 - 1.25µm NICKEL OVERALL 2.5µm MIN SELECT MATTE TIN PC TAIL AREA 0.05-0.25µm SELECT GOLD CONTACT AREA
    - OPTION 3 - 1.25µm NICKEL OVERALL 2.5µm MIN SELECT MATTE TIN PC TAIL AREA 0.75µm SELECT GOLD CONTACT AREA
  4. HEADER ASSEMBLIES ARE TUBE PACKAGED PER PK-75900-9900.
  5. COMPLIES WITH USCAR 1.5mm TERMINAL BLADE SPECIFICATION.



RECOMMENDED PCB LAYOUT

CKT SIZE	PLATING OPTION	MATERIAL NUMBER	*A* DIM	*B* DIM	*C* DIM	MATERIAL NUMBER	*A* DIM	*B* DIM	*C* DIM
2 x 2	1	75900-1121	7.0	3.50 REF		75900-1122	7.0	3.50 REF	
	2	75900-1221				75900-1222			
	3	75900-1321				75900-1322			
	4	75900-1421				75900-1422			
2 x 3	1	75900-1131	10.5	7.00		75900-1132	10.5	7.00	
	2	75900-1231				75900-1232			
	3	75900-1331				75900-1332			
	4	75900-1431				75900-1432			
2 x 4	1	75900-1141	14.0	10.50		75900-1142	14.0	10.50	
	2	75900-1241				75900-1242			
	3	75900-1341				75900-1342			
	4	75900-1441				75900-1442			
2 x 6	1	75900-1161	21.0	17.50	3.05	75900-1162	21.0	17.50	4.75
	2	75900-1261				75900-1262			
	3	75900-1361				75900-1362			
	4	75900-1461				75900-1462			
2 x 8	1	75900-1181	28.0	24.50		75900-1182	28.0	24.50	
	2	75900-1281				75900-1282			
	3	75900-1381				75900-1382			
	4	75900-1481				75900-1482			
2 x 10	1	75900-1101	35.0	31.50		75900-1102	35.0	31.50	
	2	75900-1201				75900-1202			
	3	75900-1301				75900-1302			
	4	75900-1401				75900-1402			

PRELIM RELEASE FC NO: UCP2006-2758 DRAWN: J. SWENSON 2007/01/17 CHKD: 2007/01/17 APPR: MBANAKIS 2007/01/18	QUALITY SYMBOLS ▽=0 ▽=0	GENERAL TOLERANCES (UNLESS SPECIFIED)		DIMENSION STYLE MM ONLY		SCALE 4:1	DESIGN UNITS METRIC	THIRD ANGLE PROJECTION	
		mm	INCH	DRAWN BY TMCCLELL	DATE 1/25/06	TITLE MX150 RIGHT ANGLE DUAL ROW BREAK-AWAY HEADER ASSEMBLY			
2	DESCRIPTION	4 PLACES ± --- ± ---	3 PLACES ± --- ± ---	2 PLACES ± 0.13 ± ---	1 PLACE ± 0.25 ± ---	CHECKED BY TMCCLELL	DATE 1/25/06	APPROVED BY BANAKIS	
		ANGULAR ±1/2°		MATERIAL NO.		DATE 1/25/06		DOCUMENT NO. SD-75900-001	
DRAFT WHERE APPLICABLE MUST REMAIN WITHIN DIMENSIONS		SEE CHART		SHEET NO. 1 OF 1		THIS DRAWING CONTAINS INFORMATION THAT IS PROPRIETARY TO MOLEX INCORPORATED AND SHOULD NOT BE USED WITHOUT WRITTEN PERMISSION			