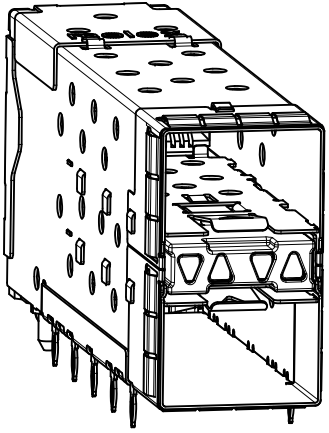


NOTES

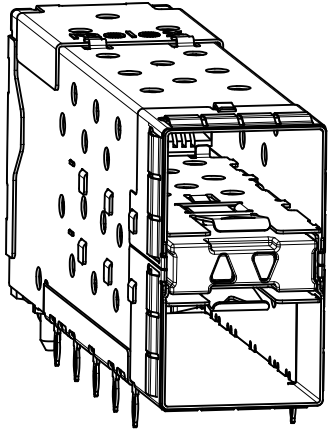
- MATERIAL:**
 CAGE: NICKEL SILVER, THICKNESS: 0.25mm
 CONNECTOR HOUSING: GLASS FILLED LIQUID CRYSTAL POLYMER (LCP), UL 94V-0, COLOR: BLACK
 OVERMOLD TERMINAL HOUSING: GLASS FILLED LIQUID CRYSTAL POLYMER (LCP), UL 94V-0, COLOR: BLACK
 TERMINALS: TIN BRASS
 EMI GASKET: PHOS-BRONZE
 LIGHTPIPE HOUSING: ZINC
 LIGHTPIPES: POLYCARBONATE, COLOR: CLEAR
- FINISHES:**
 TERMINALS: CONTACT AREA: 0.76 MICROMETERS MINIMUM HARD GOLD OVER 1.27 MICROMETERS MINIMUM NICKEL.
 COMPLIANT TAIL - MATTE TIN/LEAD OPTION: 0.76 TO 1.52 MICROMETERS 90/10 MATTE TIN-LEAD OVER 0.76 MICROMETERS MINIMUM NICKEL.
 COMPLIANT TAIL - MATTE TIN OPTION: 0.76 TO 1.52 MICROMETERS MATTE TIN OVER 0.76 MICROMETERS MINIMUM NICKEL.
 LIGHTPIPE HOUSING: 80 MICROMETERS MINIMUM NICKEL OVER COPPER
 EMI GASKET: 2.54 MICROMETERS MINIMUM NICKEL OVERALL
- REFER TO PS-75310-001 PRODUCT SPEC FOR ALL ELECTRICAL, MECHANICAL, AND ENVIRONMENTAL SPECIFICATIONS.
- LIGHTPIPE PAD LAYOUT IS FOR 0805 LOW-PROFILE LED PACKAGE. FOR OTHER RECOMMENDED LAYOUTS REFER TO MOLEX'S REPORT TS-75310-001.
- REFER TO PK-75462-001 FOR ALL PACKAGING SPECIFICATIONS.
- THE SURFACES CONFORM TO THE MOLEX COSMETIC SPEC PS-45499-002.
 ALL EXTERIOR SURFACES TO BE CLASS "B" SURFACE EXCEPT THE UNDERSIDE (CLASS "C") OF THE CAGE (SIDE TOWARD THE PCB) AND AS OTHERWISE NOTED.
- THE OVERALL CAGE WIDTH AT THE VERTICAL CENTER OF THE FRONT EDGE WILL FALL WITHIN THIS DIMENSION: 15.05+/-0.30 MM. THIS PORTION OF THE CAGE WILL FLEX INWARD AS THE CAGE IS BEING INSERTED INTO THE BEZEL OPENING.
- REFER TO AS-76090-001 FOR HIGH SPEED ROUTING RECOMMENDATIONS.
- DATE CODE LOCATION IS SHOWN ABOVE.
 DATE CODE FORMAT: DDDY MX A1
 DDD = DAY OF THE YEAR
 Y = YEAR
 MX = MOLEX
 A = ALPHA CHARACTER - INDICATES MANUFACTURING LINE
 1 = NUMERIC CHARACTER - INDICATES PRODUCTION SHIFT

PART NUMBER	LIGHTPIPE CONFIGURATION (SEE VIEWS ON SHEET 2)	COMPLIANT TAIL PLATING
760440001	4 LIGHT PORTS	MATTE TIN / LEAD
760440002	INNER 2 PORTS	MATTE TIN / LEAD
760440003	OUTER 2 PORTS	MATTE TIN / LEAD
760445001	4 LIGHT PORTS	MATTE TIN
760445002	INNER 2 PORTS	MATTE TIN
760445003	OUTER 2 PORTS	MATTE TIN
760445004	OUTER 2 PORTS - SPECIAL CONFIG	MATTE TIN

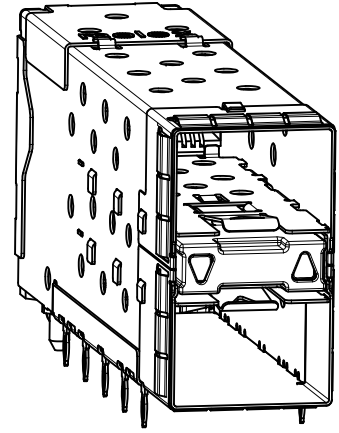
ADD 760445004 EC NO: UCP2011-2450 DRWN:WOLFE 2011/02/28 CHKD:BBARKER 2011/02/28 APPR:SMILLER 2011/11/09	DESCRIPTION REV	QUALITY SYMBOLS	GENERAL TOLERANCES (UNLESS SPECIFIED)	DIMENSION STYLE MM ONLY	SCALE 3:1	DESIGN UNITS METRIC	THIRD ANGLE PROJECTION
		▽=0	mm INCH	DRAWN BY DATE JJANTELEZ10 11-3-06	TITLE STACKED SFP+ 2X1 ASS'Y WITH METAL EMI GASKET AND LIGHTPIPES		
		▽=0	4 PLACES ± --- ± ---	CHECKED BY DATE JLONG 2-1-2007	MOLEX INCORPORATED DOCUMENT NO. SD-76044-001 SHEET NO. 1 OF 5		
		▽=0	3 PLACES ± --- ± ---	APPROVED BY DATE KREGNIER 2-1-2007			
		2 PLACES ± 0.13 ± ---	DRAFT WHERE APPLICABLE MUST REMAIN WITHIN DIMENSIONS	SIZE C	THIS DRAWING CONTAINS INFORMATION THAT IS PROPRIETARY TO MOLEX INCORPORATED AND SHOULD NOT BE USED WITHOUT WRITTEN PERMISSION		



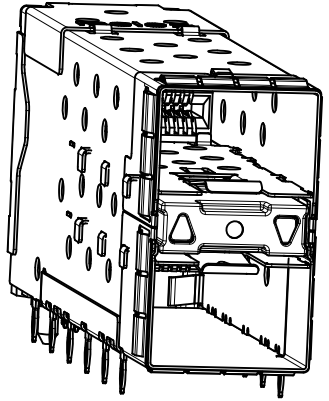
760440001 AND 760445001
WITH INNER AND OUTER LIGHTPIPES



760440002 AND 760445002
WITH INNER LIGHTPIPES

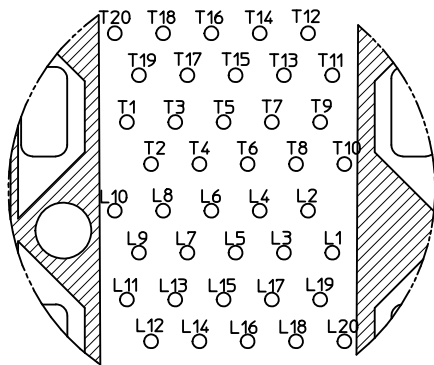


760440003 AND 760445003
WITH OUTER LIGHTPIPES

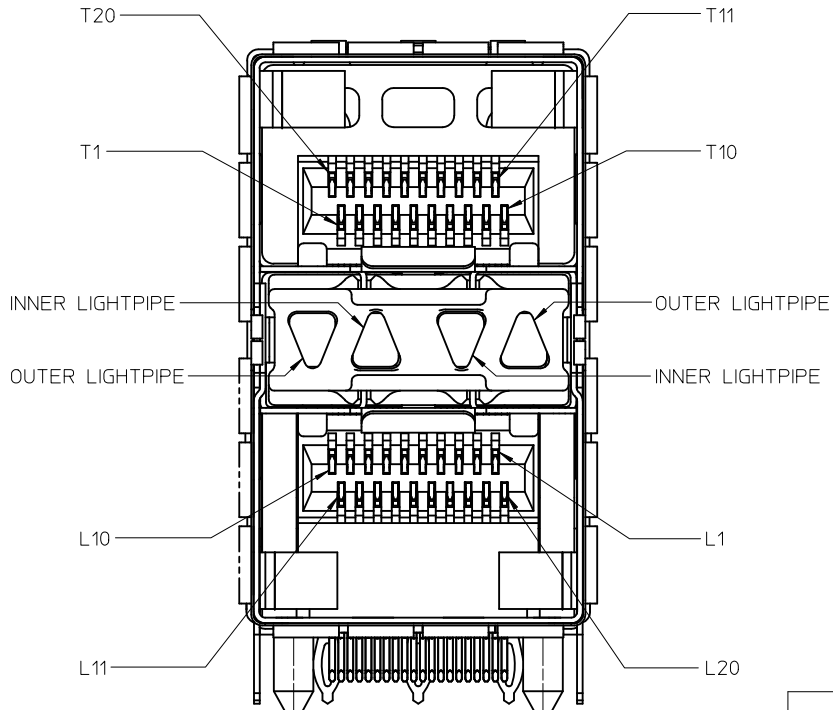


760445004
WITH OUTER LIGHTPIPES

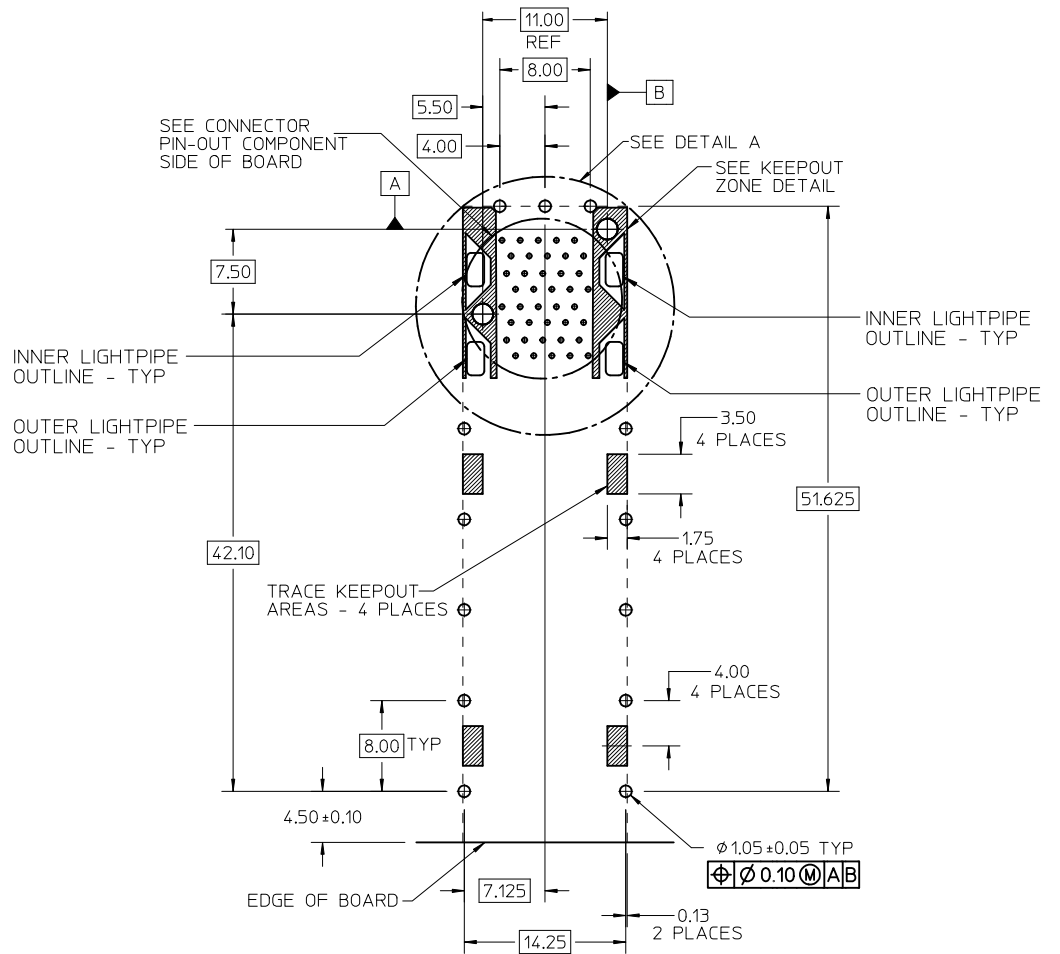
ADD 760445004 VIEW EC NO: UCP2011-2450 TDRWIN:WOLFE 2011/02/28 CHKD:BBARKER 2011/02/28 APPR:SMILLER 2011/11/09	QUALITY SYMBOLS	GENERAL TOLERANCES (UNLESS SPECIFIED)		DIMENSION STYLE MM ONLY		SCALE 3:1	DESIGN UNITS METRIC	THIRD ANGLE PROJECTION	
	▽=0	mm	INCH	DRAWN BY JJANTELEZ10	DATE 11-3-06	TITLE STACKED SFP+ 2X1 ASS'Y WITH METAL EMI GASKET AND LIGHTPIPES			
	▽=0	4 PLACES ± ---	± ---	CHECKED BY JLONG	DATE 2-1-2007				
	▽=0	ANGULAR ± 5 °		1 PLACE ± 0.25	± ---	APPROVED BY KREGNIER	DATE 2-1-2007	MOLEX INCORPORATED DOCUMENT NO. SD-76044-001	
REV	DESCRIPTION	DRAFT WHERE APPLICABLE MUST REMAIN WITHIN DIMENSIONS		SIZE C	THIS DRAWING CONTAINS INFORMATION THAT IS PROPRIETARY TO MOLEX INCORPORATED AND SHOULD NOT BE USED WITHOUT WRITTEN PERMISSION				



CONNECTOR PIN-OUT
COMPONENT SIDE OF BOARD
SCALE 10:1

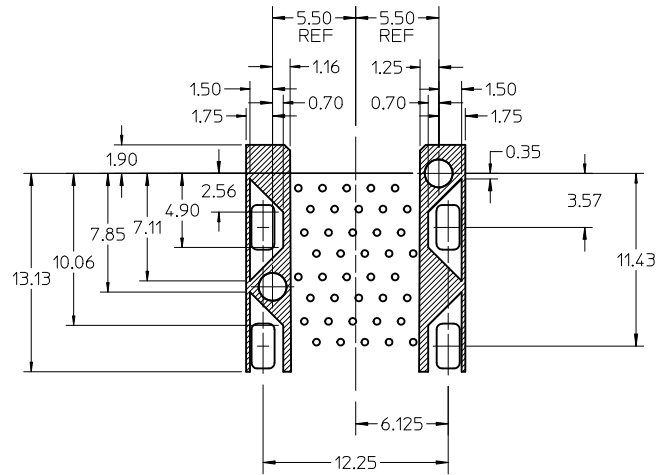


DETAIL 1
SCALE 6:1



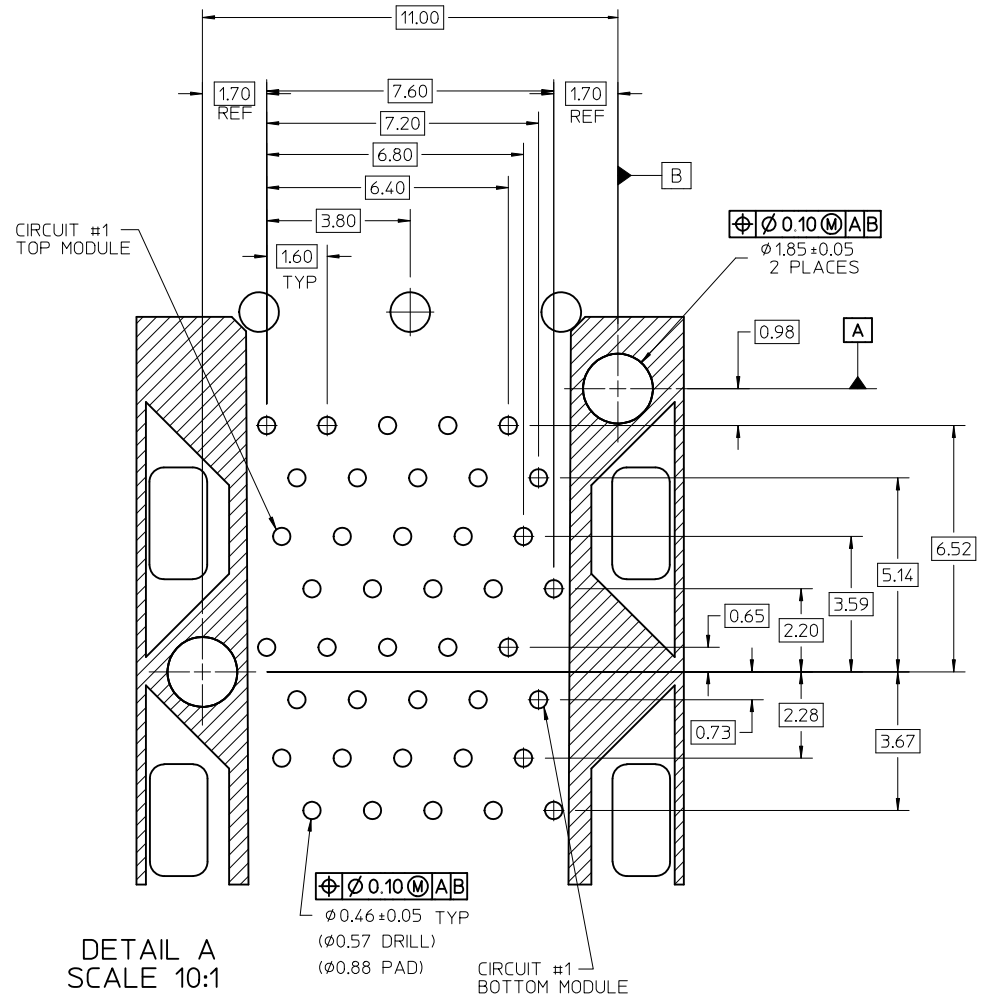
RECOMMENDED PCB LAYOUT - COMPONENT SIDE
RECOMMENDED PCB THICKNESS - 2.36 MM (.093 INCH)
THE ENTIRE AREA OF THE CONNECTOR FOOTPRINT
TO BE CONSIDERED THE KEEP OUT AREA FOR COMPONENTS
(OTHER THAN LIGHT PIPE LED'S).
THIS AREA IS INDICATED BY THE DASHED LINE

ADD DETAIL 1 EC NO: UCP2011-2450 TDRWIN:MOLFE 2011/02/28 CHKD:BBARKER 2011/02/28 APPR:SMILLER 2011/11/09	DESCRIPTION QUALITY SYMBOLS ▽=0 ▽=0 ▽=0	GENERAL TOLERANCES (UNLESS SPECIFIED)		DIMENSION STYLE MM ONLY		SCALE 3:1	DESIGN UNITS METRIC	THIRD ANGLE PROJECTION	
		mm	INCH	DRAWN BY JJANTELEZIO	DATE 11-3-06	STACKED SFP+ 2X1 ASS'Y WITH METAL EMI GASKET AND LIGHTPIPES MOLEX INCORPORATED			
		4 PLACES ± ---	± ---	CHECKED BY JLONG	DATE 2-1-2007				
		3 PLACES ± ---	± ---	APPROVED BY KREGNIER	DATE 2-1-2007	MATERIAL NO.		DOCUMENT NO.	SHEET NO.
2 PLACES ± 0.13	± ---	DRAFT WHERE APPLICABLE MUST REMAIN WITHIN DIMENSIONS		SEE TABLE		SD-76044-001	3 OF 5		
1 PLACE ± 0.25	± ---	THIS DRAWING CONTAINS INFORMATION THAT IS PROPRIETARY TO MOLEX INCORPORATED AND SHOULD NOT BE USED WITHOUT WRITTEN PERMISSION							
ANGULAR ± 5 °									



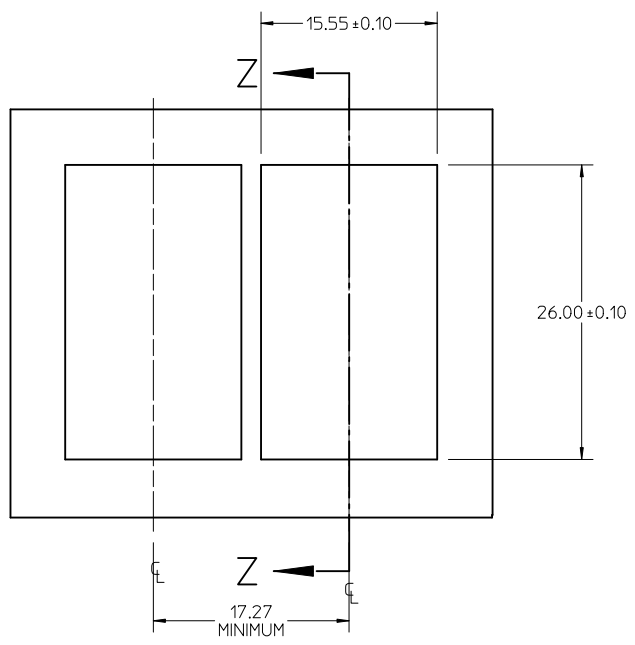
DETAIL - LIGHTPIPE AND OTHER ZONES
SCALE 8:1

THE HATCHED AREA IN THIS VIEW INDICATES ZONES THAT ARE OCCUPIED BY THE PLASTIC HOUSING THAT SEATS AGAINST THE PCB AND BY THE VERTICAL METAL CAGE WALL THAT STOPS JUST SHORT OF THE PCB

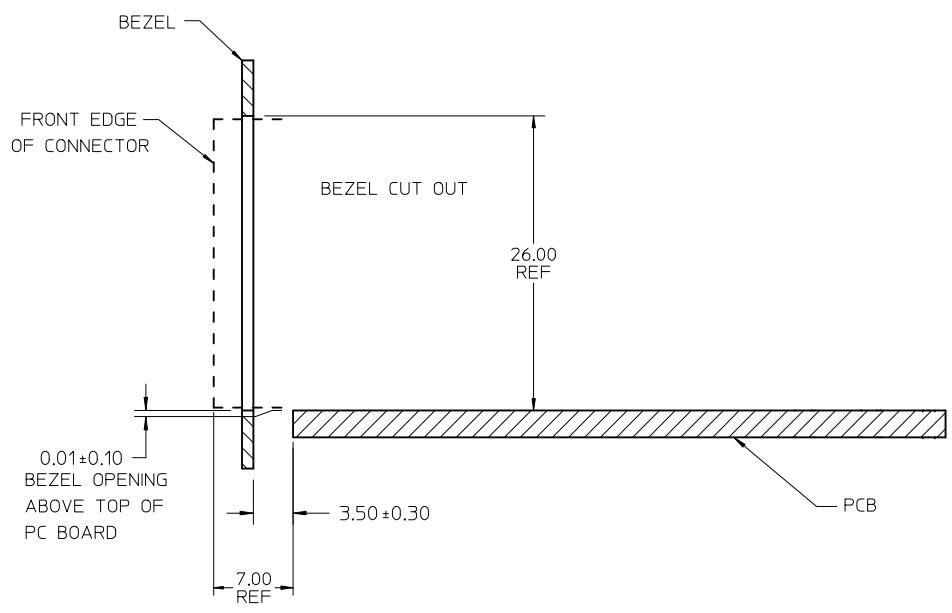


DETAIL A
SCALE 10:1

DELETE LIGHTPIPE CALLOUT EC NO: UCP2011-2450 2011/02/28 DRWIN:WOLFE 2011/02/28 CHKD:BBARKER 2011/11/09 APPR:SMILLER	QUALITY SYMBOLS ▽=0 ▽=0 ▽=0	GENERAL TOLERANCES (UNLESS SPECIFIED)		DIMENSION STYLE MM ONLY		SCALE 3:1	DESIGN UNITS METRIC	THIRD ANGLE PROJECTION			
		4 PLACES ± --- ± ---	3 PLACES ± --- ± ---	2 PLACES ± 0.13 ± ---	1 PLACE ± 0.25 ± ---	DRAWN BY JJANTELEZ10	DATE 11-3-06	TITLE STACKED SFP+ 2X1 ASS'Y WITH METAL EMI GASKET AND LIGHTPIPES			
		ANGULAR ± 5 °				CHECKED BY JLONG	DATE 2-1-2007	APPROVED BY KREGNIER			
		DRAFT WHERE APPLICABLE MUST REMAIN WITHIN DIMENSIONS				MATERIAL NO. SEE TABLE	DATE 2-1-2007	MOLEX INCORPORATED		DOCUMENT NO. SD-76044-001	
				SIZE C	THIS DRAWING CONTAINS INFORMATION THAT IS PROPRIETARY TO MOLEX INCORPORATED AND SHOULD NOT BE USED WITHOUT WRITTEN PERMISSION					SHEET NO. 4 OF 5	



BEZEL CUT-OUT CENTER SPACING DETAIL
BEZEL THICKNESS 0.8-2.6



SECTION Z-Z

DELETE MIDDLE BEZEL DIM EC NO: UCP2011-2450 2011/02/28 IDRW:MMOLFE 2011/02/28 CHKD:BBARKER 2011/02/28 APPR:SMILLER 2011/11/09	QUALITY SYMBOLS	GENERAL TOLERANCES (UNLESS SPECIFIED)		DIMENSION STYLE	SCALE	DESIGN UNITS	THIRD ANGLE PROJECTION
	▽=0	mm	INCH	MM ONLY	3:1	METRIC	☉
	▽=0	4 PLACES ± ---	± ---	DRAWN BY	DATE	TITLE	
	▽=0	3 PLACES ± ---	± ---	JJANTELEZ10	11-3-06	STACKED SFP+ 2X1 ASS'Y WITH METAL EMI GASKET AND LIGHTPIPES	
		2 PLACES ± 0.13	± ---	CHECKED BY	DATE	MOLEX INCORPORATED	
		1 PLACE ± 0.25	± ---	JL LONG	2-1-2007	DOCUMENT NO. SD-76044-001	
		ANGULAR ± 5 °		APPROVED BY	DATE	SHEET NO. 5 OF 5	
		DRAFT WHERE APPLICABLE MUST REMAIN WITHIN DIMENSIONS		KREGNIER	2-1-2007	THIS DRAWING CONTAINS INFORMATION THAT IS PROPRIETARY TO MOLEX INCORPORATED AND SHOULD NOT BE USED WITHOUT WRITTEN PERMISSION	
REV	DESCRIPTION	SIZE					