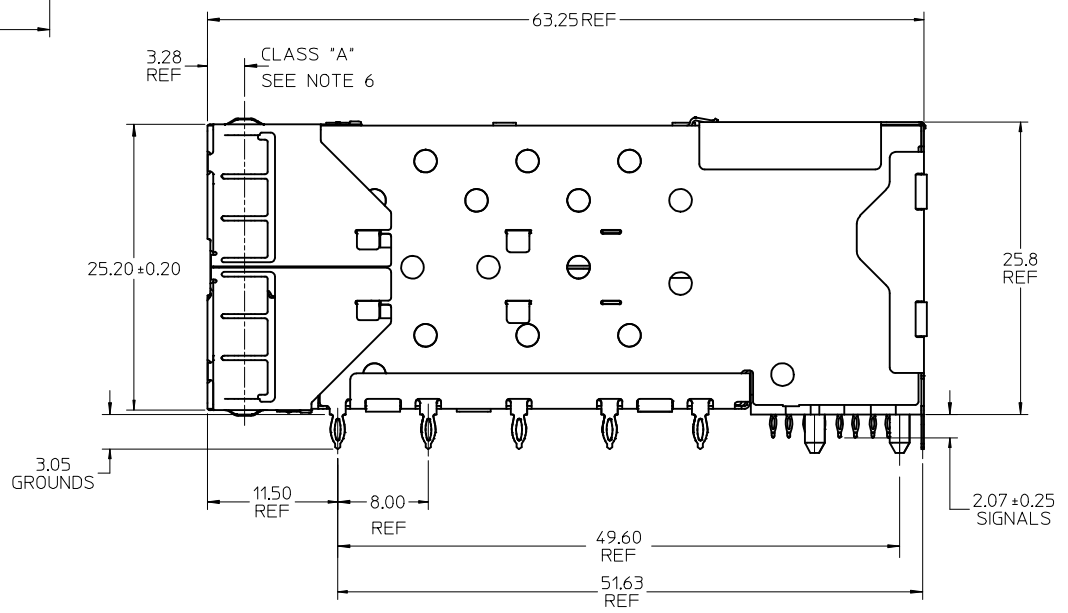


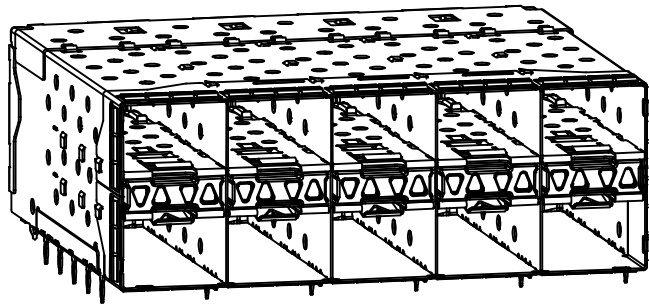
PART NUMBER	DESCRIPTION	VIEW	COMPLIANT TAIL PLATING
760477001	4 LIGHT PORTS	SEE PG 2	TIN
760477002	INNER 2 PORTS	SEE PG 2	TIN
	OUTER 2 PORTS	SEE PG 2	TIN

ENHANCED EMI VERSION

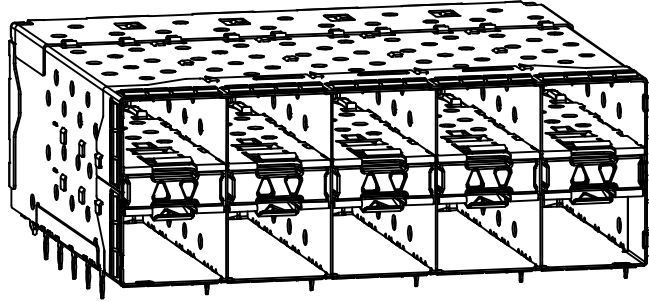
- NOTES:
- MATERIAL:
 - CAGE: NICKEL SILVER, THICKNESS: 0.25mm
 - CONNECTOR HOUSING: GLASS FILLED LIQUID CRYSTAL POLYMER (LCP), UL 94V-0, COLOR: BLACK
 - OVERMOLD TERMINAL HOUSING: GLASS FILLED LIQUID CRYSTAL POLYMER (LCP), UL 94V-0, COLOR: BLACK
 - TERMINALS: TIN BRASS
 - EMI GASKET: PHOS-BRONZE
 - LIGHT PIPE HOUSING: ZINC
 - LIGHT PIPES: POLYCARBONATE, COLOR: CLEAR
 - FINISHES:
 - TERMINALS: CONTACT AREA: 0.76 MICROMETERS MINIMUM HARD GOLD OVER 1.27 MICROMETERS MINIMUM NICKEL.
 - COMPLIANT TAIL - TIN: 0.76 TO 1.52 MICROMETERS TIN OVER 0.76 MICROMETERS MINIMUM NICKEL.
 - LIGHT PIPE HOUSING: 80 MICROMETERS MINIMUM NICKEL OVER COPPER
 - EMI GASKET: 2.54 MICROMETERS MINIMUM NICKEL OVERALL
 - REFER TO PS-75310-001 PRODUCT SPEC FOR ALL ELECTRICAL, MECHANICAL AND ENVIRONMENTAL SPECIFICATIONS.
 - LIGHT PIPE PAD LAYOUT IS FOR 0805 LOW-PROFILE LED PACKAGE. FOR OTHER RECOMMENDED LAYOUTS REFER TO MOLEX'S REPORT TS-75310-001
 - REFER TO PK-75733-001 FOR ALL PACKAGING SPECIFICATIONS.
 - THE SURFACES CONFORM TO THE MOLEX COSMETIC SPEC PS-45499-002. ALL EXTERIOR SURFACES TO BE CLASS "B" SURFACE EXCEPT THE UNDERSIDE (CLASS "C") OF THE CAGE (SIDE TOWARD THE PCB) AND AS OTHERWISE NOTED.
 - THE OVERALL CAGE WIDTH AT THE VERTICAL CENTER OF THE FRONT EDGE WILL FALL WITHIN THIS DIMENSION: 72.05 ± 0.30 MM. THIS PORTION OF THE CAGE WILL FLEX INWARD AS THE CAGE IS BEING INSERTED INTO THE BEZEL OPENING.
 - REFER TO AS-76090-001 FOR HIGH SPEED ROUTING RECOMMENDATIONS.
 - DATE CODE LOCATIONS IS SHOWN ABOVE.
 - DATE CODE FORMAT: DDD Y MX A1
 - DDD = DAY OF THE YEAR
 - Y = YEAR
 - MX = MOLEX
 - A = ALPHA CHARACTER - INDICATES MANUFACTURING LINE
 - 1 = NUMERIC CHARACTER - INDICATES PRODUCTION SHIFT



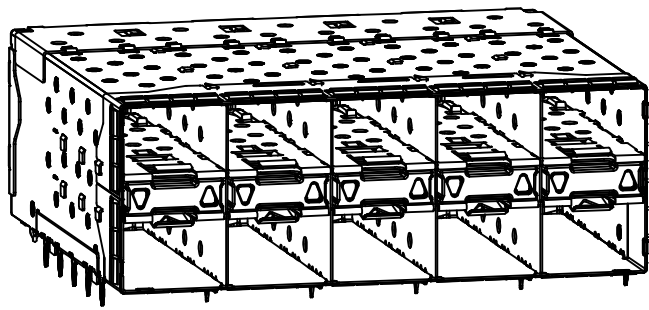
ADD P/N	EC NO:	DRAWN BY	CHECKED BY	APPROVED BY	DATE	QUALITY SYMBOLS		GENERAL TOLERANCES (UNLESS SPECIFIED)		DIMENSION STYLE		SCALE	DESIGN UNITS	THIRD ANGLE PROJECTION			
						mm	INCH	MM ONLY	DATE	3:1	METRIC	DATE					
76047-7002	UCP2014-2035	TIBARRA	BBARKER	SMILLER	2012/06/25	2012/06/25	2012/07/20	▽=0	4 PLACES ± --- ± ---	3 PLACES ± --- ± ---	2 PLACES ± 0.13 ± ---	1 PLACE ± 0.25 ± ---	0 PLACE ± ±	ANGULAR ±1/2°	MATERIAL NO. SEE TABLE	DOCUMENT NO. SD-76047-0003	SHEET NO. 1 OF 4
DRAFT WHERE APPLICABLE MUST REMAIN WITHIN DIMENSIONS																	
THIS DRAWING CONTAINS INFORMATION THAT IS PROPRIETARY TO MOLEX INCORPORATED AND SHOULD NOT BE USED WITHOUT WRITTEN PERMISSION																	



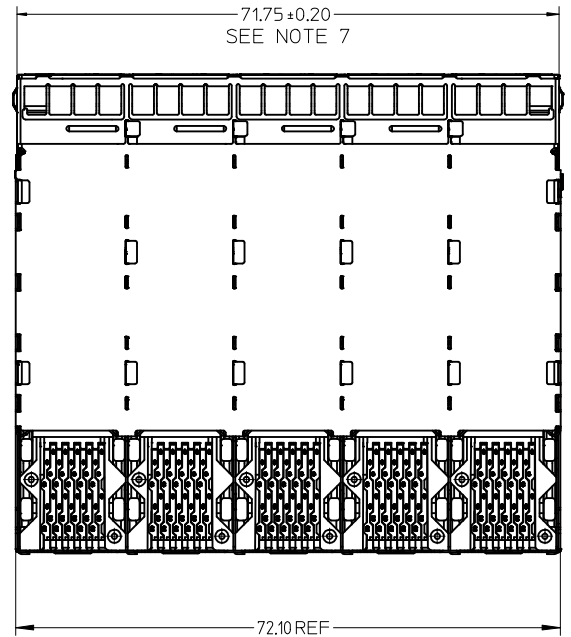
760477001
WITH INNER AND OUTER LIGHT PIPES



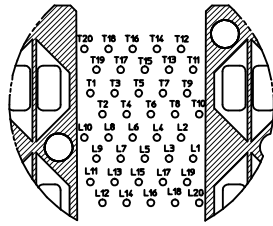
760477002
WITH INNER LIGHT PIPES



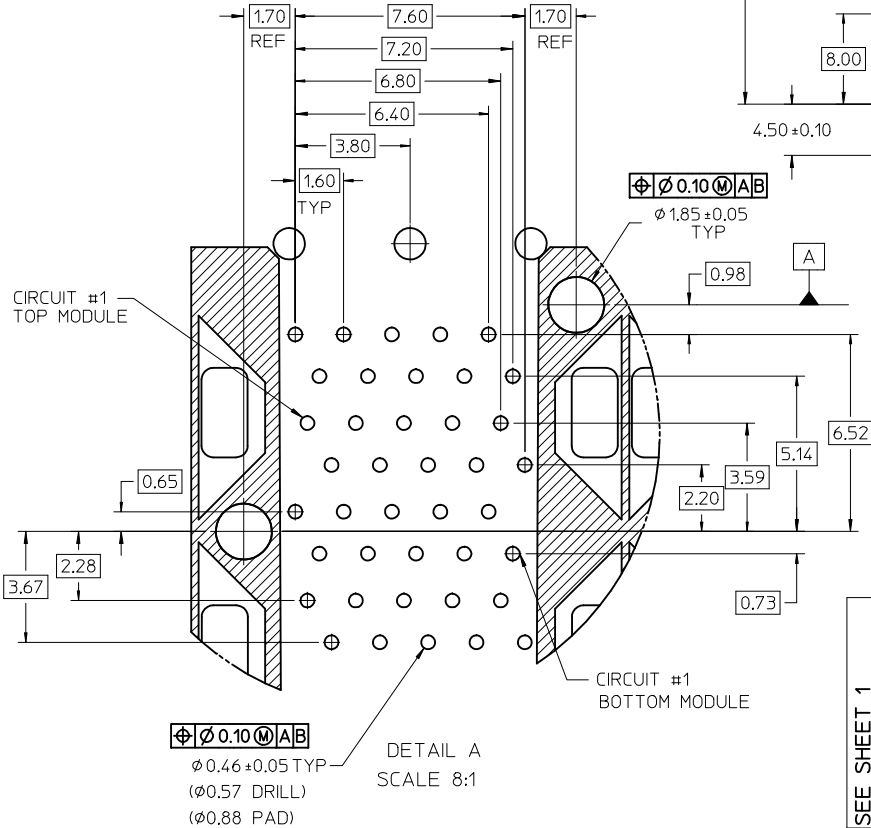
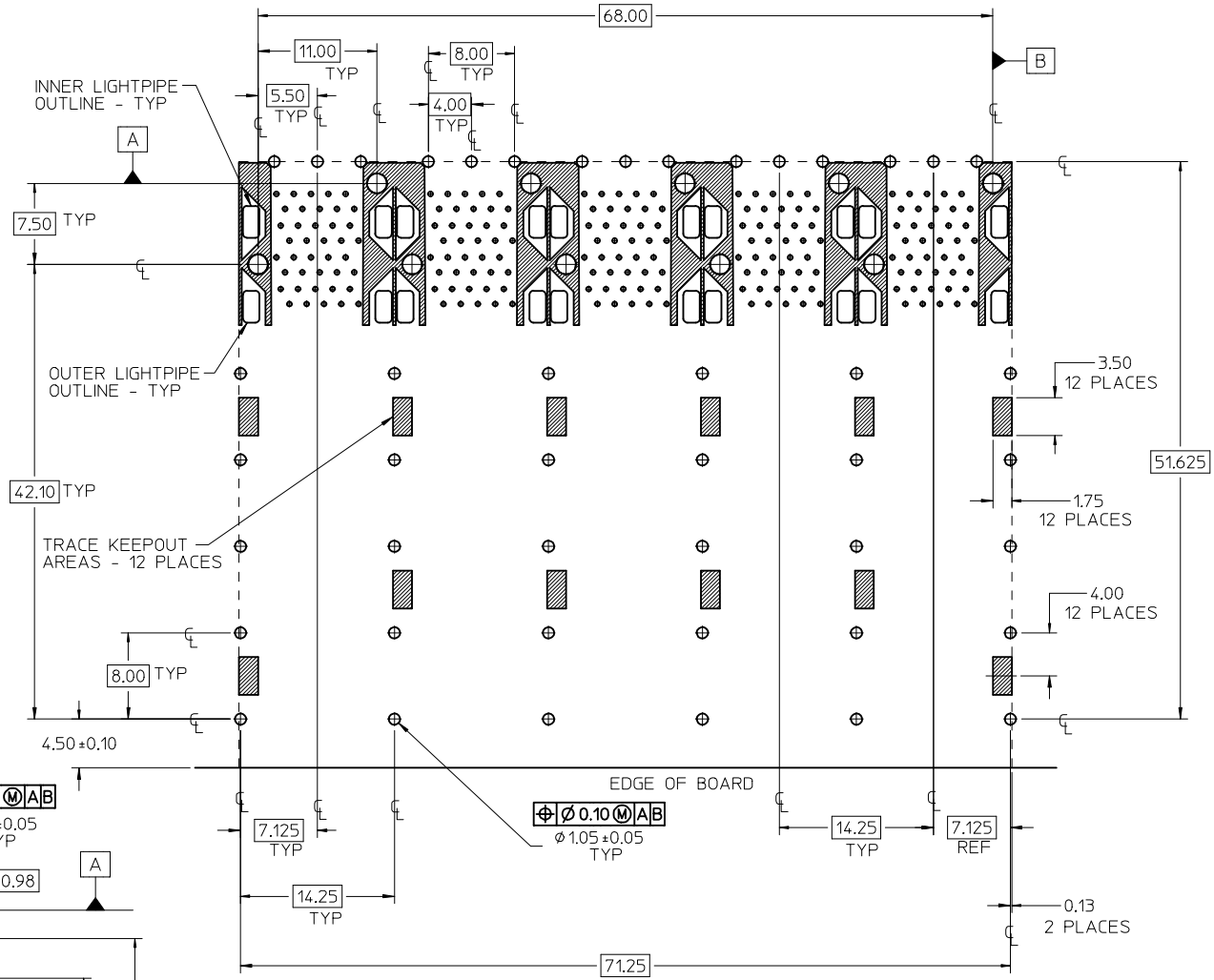
WITH OUTER LIGHT PIPES



SEE SHEET 1 EC NO: UCP2014-2035 DRAWN: WHIPPLE 2013/11/07 CHKD: BBARKER 2013/11/07 APPR: SMILLER 2013/11/21	DESCRIPTION REV	QUALITY SYMBOLS	GENERAL TOLERANCES (UNLESS SPECIFIED)		DIMENSION STYLE MM ONLY		SCALE 2:1	DESIGN UNITS METRIC	THIRD ANGLE PROJECTION	
		▽=0	mm	INCH	DRAWN BY TIBARRA	DATE 2012/06/25	TITLE STACKED SFP+ 2X5 ASS'Y W/ METAL EMI GASKET AND LIGHTPIPES, ENHANCED EMI	molex	DOCUMENT NO. SD-76047-0003	SHEET NO. 2 OF 4
		▽=0	4 PLACES ± --- ± ---		CHECKED BY BBARKER	DATE 2012/06/25				
		▽=0	3 PLACES ± --- ± ---		APPROVED BY SMILLER	DATE 2012/07/20				
			2 PLACES ± 0.13 ± ---		MATERIAL NO.		SIZE C		THIS DRAWING CONTAINS INFORMATION THAT IS PROPRIETARY TO MOLEX INCORPORATED AND SHOULD NOT BE USED WITHOUT WRITTEN PERMISSION	
			1 PLACE ± 0.25 ± ---		ANGULAR ±1/2°		SEE TABLE			
			0 PLACE ± ±		DRAFT WHERE APPLICABLE MUST REMAIN WITHIN DIMENSIONS					

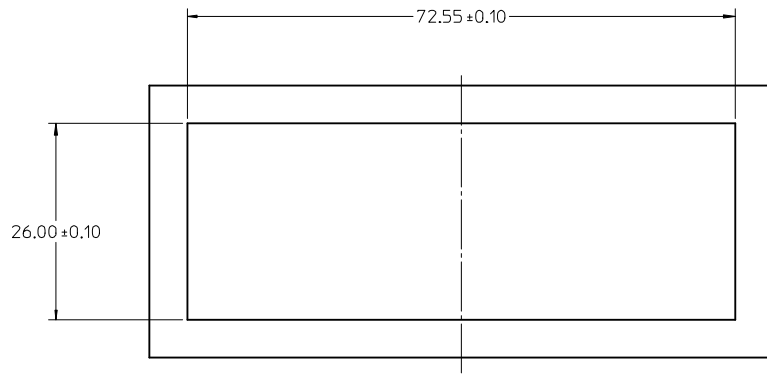


CONNECTOR PIN-OUT DETAIL
COMPONENT SIDE OF BOARD

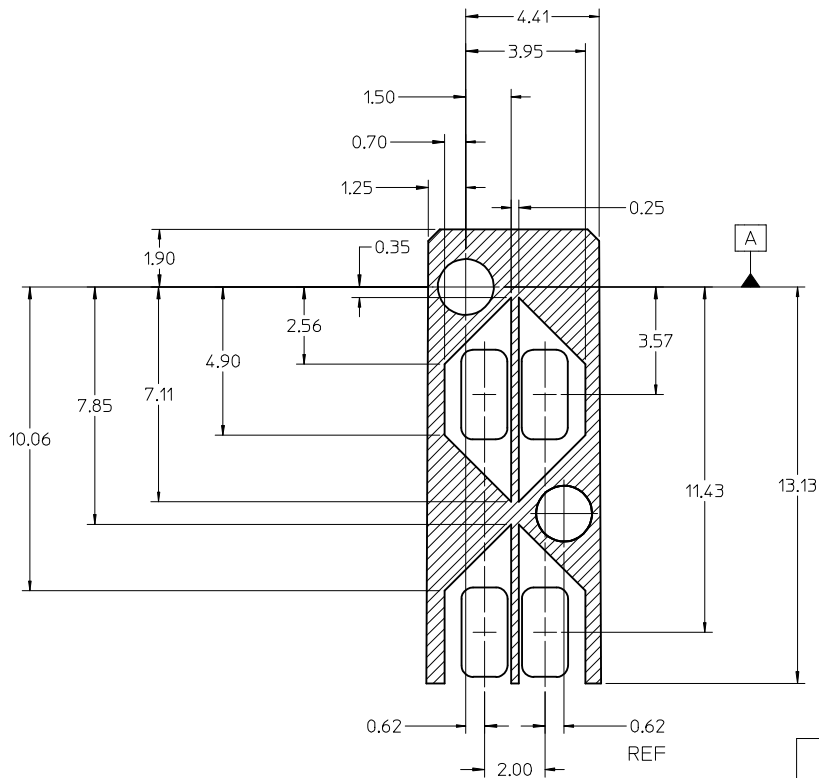
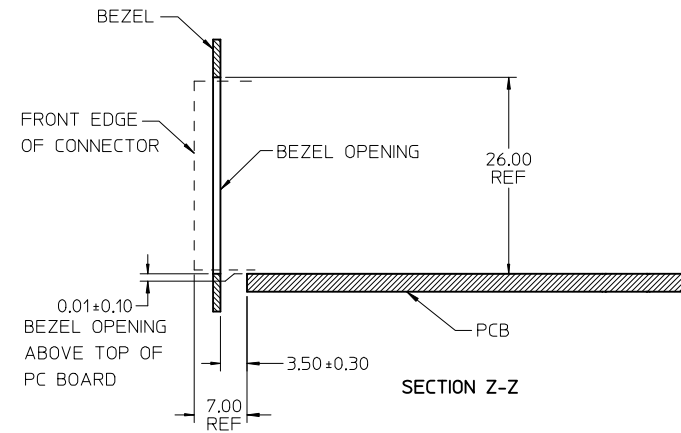


RECOMMENDED PCB LAYOUT - COMPONENT SIDE
RECOMMENDED PCB THICKNESS - 2.36 MM (0.93 INCH)
THE ENTIRE AREA OF THE CONNECTOR FOOTPRINT
TO BE CONSIDERED THE KEEPOUT AREA FOR COMPONENT'S
(OTHER THAN LIGHT PIPE LED'S)
THIS AREA IS INDICATED BY THE DASHED LINE

SEE SHEET 1 EC NO: UCP2014-2035 DRAWN BY: DRWINWHIPPLE 2013/11/07 CHKD: BBARKER 2013/11/07 APPR: SMILLER 2013/11/21	QUALITY SYMBOLS ▽=0 ▽=0 ▽=0	GENERAL TOLERANCES (UNLESS SPECIFIED)		DIMENSION STYLE MM ONLY		SCALE 3:1	DESIGN UNITS METRIC	THIRD ANGLE PROJECTION	
		mm	INCH	DRAWN BY TIBARRA	DATE 2012/06/25	TITLE STACKED SFP+ 2X5 ASS'Y W/ METAL EMI GASKET AND LIGHTPIPES, ENHANCED EMI	DOCUMENT NO. SD-76047-0003		SHEET NO. 3 OF 4
REV		DESCRIPTION		APPROVED BY SMILLER		DATE 2012/07/20		MATERIAL NO.	
B		DRAFT WHERE APPLICABLE MUST REMAIN WITHIN DIMENSIONS		SIZE C		SEE TABLE		THIS DRAWING CONTAINS INFORMATION THAT IS PROPRIETARY TO MOLEX INCORPORATED AND SHOULD NOT BE USED WITHOUT WRITTEN PERMISSION	



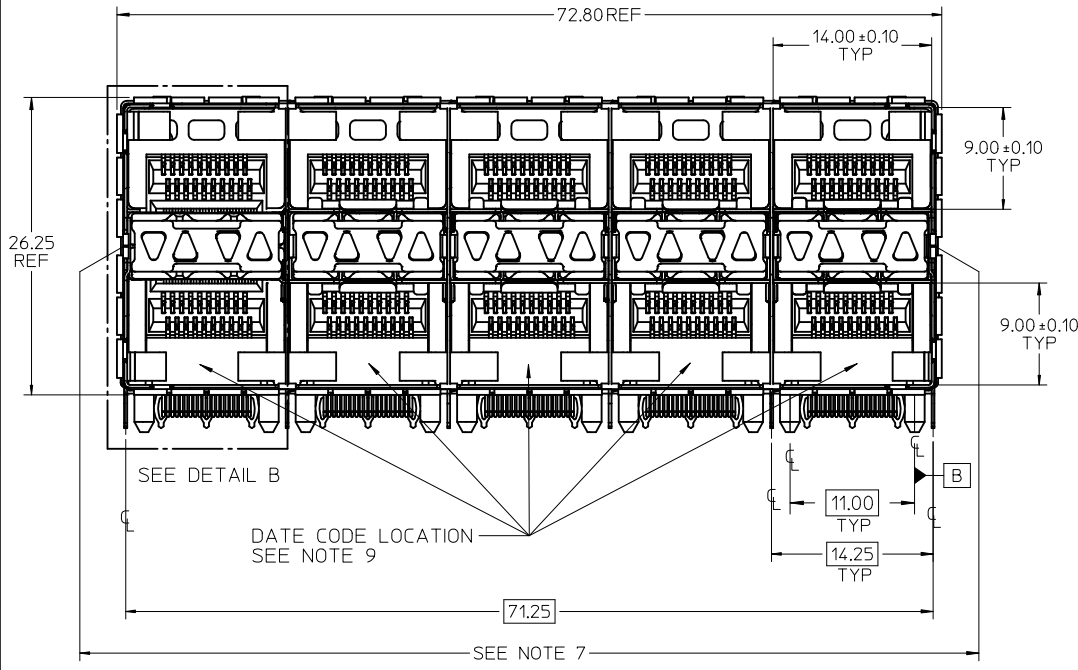
BEZEL CUTOUT CENTER SPACING DETAIL
BEZEL THICKNESS 0.8-2.6



DETAIL - LIGHTPIPE LOCATION AND OTHER ZONES
SCALE 8:1

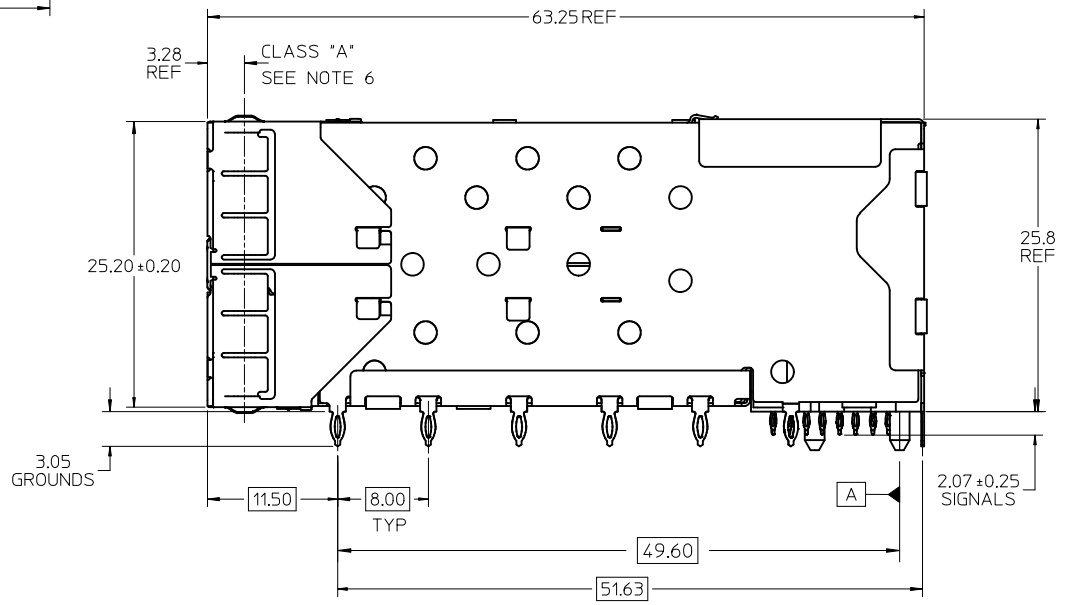
THE HATCHED AREA IN THIS VIEW INDICATES ZONES THAT ARE OCCUPIED BY THE PLASTIC HOUSING THAT SEATS AGAINST THE PCB AND BY THE VERTICAL METAL CAGE WALL THAT STOPS JUST SHORT OF THE PCB

SEE SHEET 1 EC NO: UCP2014-2035 DRW:RWHIPPLE 2013/11/07 CHKD:BBARKER 2013/11/07 APPR:SMILLER 2013/11/21	QUALITY SYMBOLS ▽=0 ▽=0 ▽=0	GENERAL TOLERANCES (UNLESS SPECIFIED)		DIMENSION STYLE MM ONLY	SCALE 2:1	DESIGN UNITS METRIC	THIRD ANGLE PROJECTION
		mm	INCH	DRAWN BY TIBARRA	DATE 2012/06/25	TITLE STACKED SFP+ 2X5 ASS'Y W/ METAL EMI GASKET AND LIGHTPIPES, ENHANCED EMI	
B	REV	4 PLACES	± ---	± ---	CHECKED BY BBARKER	DATE 2012/06/25	DOCUMENT NO. SD-76047-0003
		3 PLACES	± ---	± ---	APPROVED BY SMILLER	DATE 2012/07/20	
		2 PLACES	± 0.13	± ---	THIS DRAWING CONTAINS INFORMATION THAT IS PROPRIETARY TO MOLEX INCORPORATED AND SHOULD NOT BE USED WITHOUT WRITTEN PERMISSION		
		1 PLACE	± 0.25	± ---			
		0 PLACE	±	±			
		ANGULAR ±1/2°		MATERIAL NO.			
		DRAFT WHERE APPLICABLE MUST REMAIN WITHIN DIMENSIONS		SIZE C			

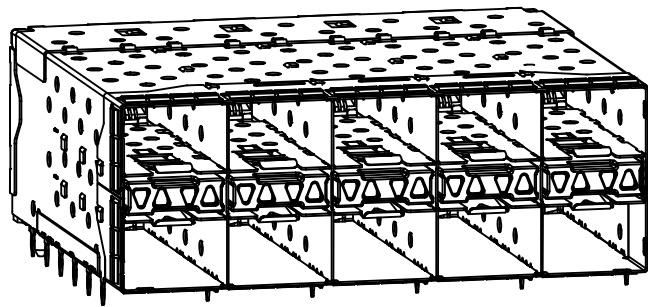


PART NUMBER	DESCRIPTION	VIEW	COMPLIANT TAIL PLATING
760470001	4 LIGHT PORTS	SEE PG 2	MATTE TIN / LEAD
760470002	INNER 2 PORTS	SEE PG 2	MATTE TIN / LEAD
760470003	OUTER 2 PORTS	SEE PG 2	MATTE TIN / LEAD
760475001	4 LIGHT PORTS	SEE PG 2	MATTE TIN
760475002	INNER 2 PORTS	SEE PG 2	MATTE TIN
760475003	OUTER 2 PORTS	SEE PG 2	MATTE TIN

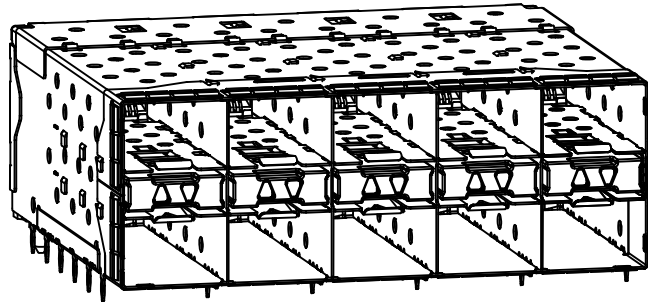
- NOTES
- MATERIAL:
 - CAGE: NICKEL SILVER, THICKNESS: 0.25mm
 - CONNECTOR HOUSING: GLASS FILLED LIQUID CRYSTAL POLYMER (LCP), UL 94V-0, COLOR: BLACK
 - OVERMOLD TERMINAL HOUSING: GLASS FILLED LIQUID CRYSTAL POLYMER (LCP), UL 94V-0, COLOR: BLACK
 - TERMINALS: TIN BRASS
 - EMI GASKET: CONDUCTIVE ELASTOMER
 - LIGHTPIPE HOUSING: ZINC
 - LIGHTPIPES: POLYCARBONATE, COLOR: CLEAR
 - FINISHES:
 - TERMINALS: CONTACT AREA: 0.76 MICROMETERS MINIMUM HARD GOLD OVER 1.27 MICROMETERS MINIMUM NICKEL.
 - COMPLIANT TAIL - MATTE TIN/LEAD OPTION: 0.76 TO 1.52 MICROMETERS 90/10 MATTE TIN-LEAD OVER 0.76 MICROMETERS MINIMUM NICKEL.
 - COMPLIANT TAIL - MATTE TIN OPTION: 0.76 TO 1.52 MICROMETERS MATTE TIN OVER 0.76 MICROMETERS MINIMUM NICKEL.
 - LIGHTPIPE HOUSING: 80 MICROMETERS MINIMUM NICKEL OVER COPPER
 - REFER TO PS-75310-001 PRODUCT SPEC FOR ALL ELECTRICAL, MECHANICAL AND ENVIRONMENTAL SPECIFICATIONS.
 - LIGHT PIPE PAD LAYOUT IS FOR 0805 LOW-PROFILE LED PACKAGE, FOR OTHER RECOMMENDED LAYOUTS REFER TO MOLEX'S REPORT TS-75310-001
 - REFER TO PK-75733-001 FOR ALL PACKAGING SPECIFICATIONS.
 - ALL EXTERIOR SURFACES TO BE CLASS 'B' SURFACES EXCEPT THE UNDER SIDE OF THE CAGE WHERE THE PCB WOULD BE LOCATED AND AS NOTED. THE SURFACES TO CONFORM TO THE MOLEX COSMETIC DOC PS-45499-002.
 - THE OVERALL CAGE WIDTH AT THE VERTICAL CENTER OF THE FRONT EDGE WILL FALL WITHIN THIS DIMENSION: 72.05±0.30 MM. THIS PORTION OF THE CAGE WILL FLEX INWARD AS THE CAGE IS BEING INSERTED INTO THE BEZEL OPENING.
 - REFER TO AS-76090-001 FOR HIGH SPEED ROUTING RECOMMENDATIONS.
 - DATE CODE LOCATION IS SHOWN ABOVE.
 - DATE CODE FORMAT: DDDY MX A1
 - DDD = DAY OF THE YEAR
 - Y = YEAR
 - MX = MOLEX
 - A = ALPHA CHARACTER - INDICATES MANUFACTURING LINE
 - 1 = NUMERIC CHARACTER - INDICATES PRODUCTION SHIFT



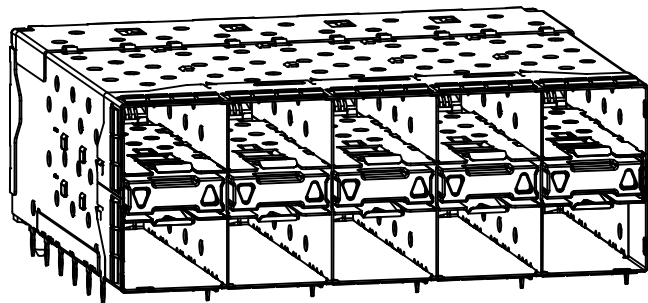
ADD NOTE 8 & 9 EC NO: UCP2011-2594 DRW: MWOLFE 2011/03/03 CHKD: BBARKER 2011/03/03 APPR: SMILLER 2011/09/20	QUALITY SYMBOLS ▽=0 ▽=0 ▽=0	GENERAL TOLERANCES (UNLESS SPECIFIED)		DIMENSION STYLE IN/MM		SCALE 3:1	DESIGN UNITS INCH	THIRD ANGLE PROJECTION	
		mm	INCH	DRAWN BY MSANDBERG	DATE 10/16/2006	STACKED SFP+ 2X5 ASS'Y WITH METAL EMI GASKET AND LIGHTPIPES			
		4 PLACES ± ---	± ---	CHECKED BY JLONG	DATE 10/16/2006				
		DRAFT WHERE APPLICABLE MUST REMAIN WITHIN DIMENSIONS		SEE TABLE		APPROVED BY RNELSON		DATE 10/16/2006	



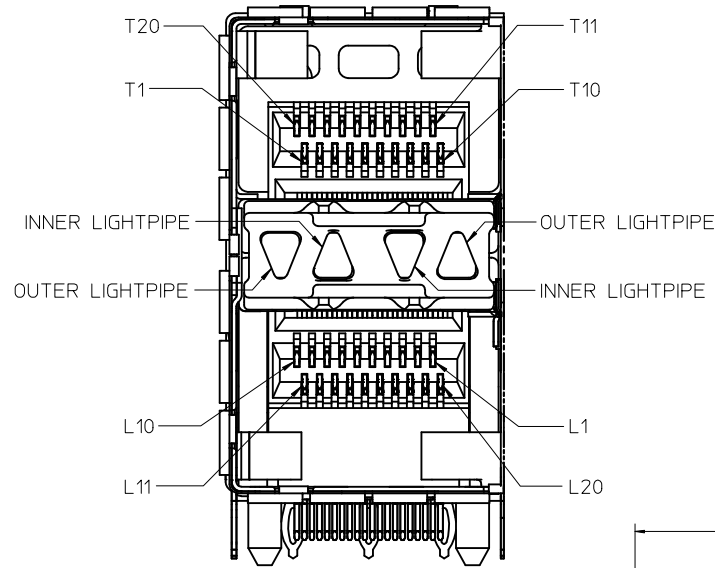
760470001 AND 760475001
WITH INNER AND OUTER LIGHTPIPPES



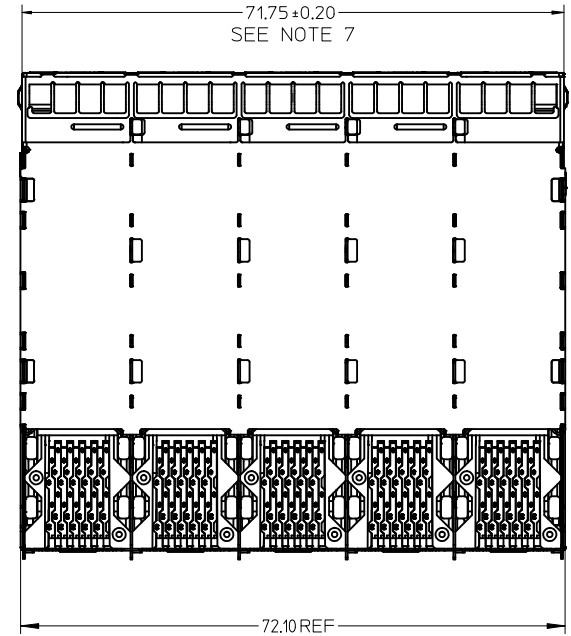
760470002 AND 760475002
WITH INNER LIGHTPIPPES



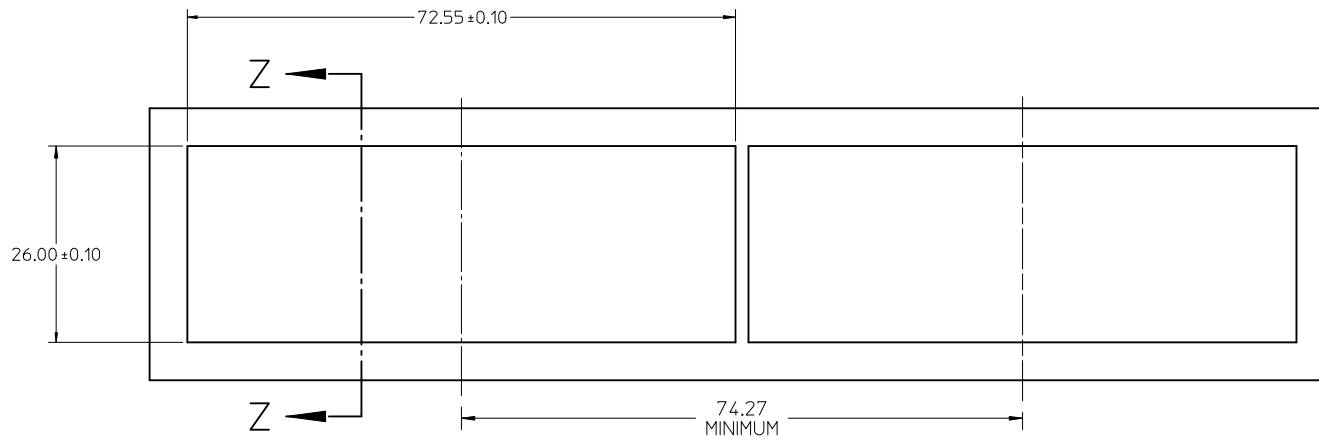
760470003 AND 760475003
WITH OUTER LIGHTPIPPES



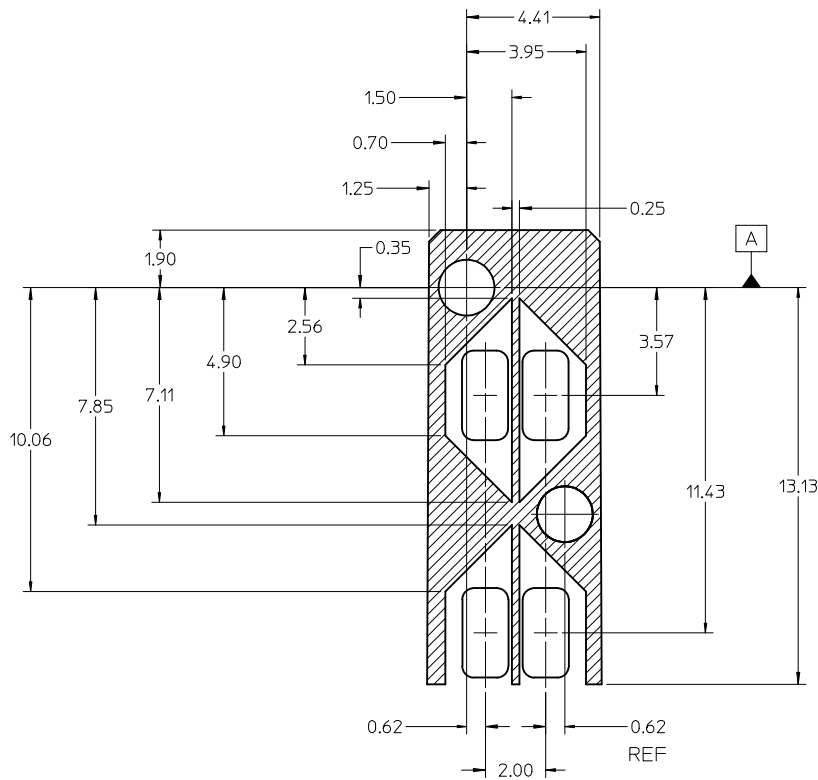
CIRCUIT NUMBERING
AND LIGHTPIPE
IDENTIFICATION
DETAILB
SCALE 5:1



ADD DETAIL B EC NO: UCP2011-2594 DRWN: MWOLFE 2011/03/03 CHKD: BBARKER 2011/03/03 APPR: SMILLER 2011/09/20	QUALITY SYMBOLS 	GENERAL TOLERANCES (UNLESS SPECIFIED)		DIMENSION STYLE IN/MM	SCALE 2:1	DESIGN UNITS INCH	THIRD ANGLE PROJECTION		
		4 PLACES ± --- ± ---	3 PLACES ± --- ± ---	DRAWN BY MSANDBERG	DATE 10/16/2006	TITLE STACKED SFP+ 2X5 ASS'Y WITH METAL EMI GASKET AND LIGHTPIPPES			
		2 PLACES ± 0.13 ± ---	1 PLACE ± 0.25 ± ---	CHECKED BY JLONG	DATE 10/16/2006				
		ANGULAR ± 1/2°		APPROVED BY RNELSON		DATE 10/16/2006	MOLEX INCORPORATED		
DRAFT WHERE APPLICABLE MUST REMAIN WITHIN DIMENSIONS		MATERIAL NO. SEE TABLE		DOCUMENT NO. SD-76047-001	SHEET NO. 2 OF 4				

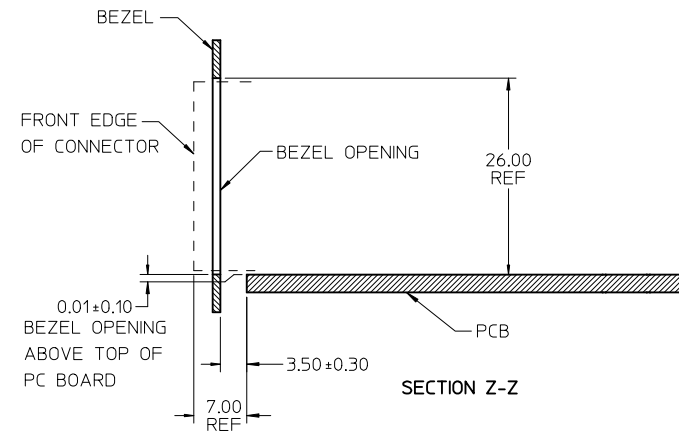


BEZEL CUTOUT CENTER SPACING DETAIL
BEZEL THICKNESS 0.8-2.6



KEEP OUT ZONE DETAIL - LIGHTPIPE LOCATION AND OTHER ZONES
SCALE 8:1

THE HATCHED AREA IN THIS VIEW INDICATES ZONES THAT ARE OCCUPIED BY THE PLASTIC HOUSING THAT SEATS AGAINST THE PCB AND BY THE VERTICAL METAL CAGE WALL THAT STOPS JUST SHORT OF THE PCB



ADD SECOND BEZEL CUTOUT EC NO: UCP2011-2594 DRAWN: MWOLFE 2011/03/03 CHKD: BBARKER 2011/03/03 APPR: SMILLER 2011/09/20	QUALITY SYMBOLS	GENERAL TOLERANCES (UNLESS SPECIFIED)	DIMENSION STYLE IN/MM	SCALE 2:1	DESIGN UNITS INCH	THIRD ANGLE PROJECTION
	▽=0 ▽=0 ▽=0	4 PLACES ± --- ± --- 3 PLACES ± --- ± --- 2 PLACES ± 0.13 ± --- 1 PLACE ± 0.25 ± --- ANGULAR ± 1/2°	DRAWN BY DATE MSANDBERG 10/16/2006 CHECKED BY DATE JLONG 10/16/2006 APPROVED BY DATE RNELSON 10/16/2006	TITLE STACKED SFP+ 2X5 ASS'Y WITH METAL EMI GASKET AND LIGHTPIPES	MATERIAL NO. SEE TABLE	DOCUMENT NO. SD-76047-001
REV	DESCRIPTION	DRAFT WHERE APPLICABLE MUST REMAIN WITHIN DIMENSIONS	SIZE C	THIS DRAWING CONTAINS INFORMATION THAT IS PROPRIETARY TO MOLEX INCORPORATED AND SHOULD NOT BE USED WITHOUT WRITTEN PERMISSION		