

NOTES

1. MATERIAL:

- CAGE: NICKEL SILVER, THICKNESS: 0.25mm
- CONNECTOR HOUSING: GLASS FILLED LIQUID CRYSTAL POLYMER (LCP), UL 94V-0, COLOR: BLACK
- OVERMOLD TERMINAL HOUSING: GLASS FILLED LIQUID CRYSTAL POLYMER (LCP), UL 94V-0, COLOR: BLACK
- TERMINALS: TIN BRASS
- EMI GASKET: CONDUCTIVE ELASTOMER
- LIGHTPIPE HOUSING: ZINC
- LIGHTPIPES: POLYCARBONATE, COLOR: CLEAR

2. FINISHES:

- TERMINALS: CONTACT AREA: 0.76 MICROMETERS MINIMUM HARD GOLD OVER 1.27 MICROMETERS MINIMUM NICKEL.
- COMPLIANT TAIL - MATTE TIN/LEAD OPTION: 0.76 TO 152 MICROMETERS 90/10 MATTE TIN-LEAD OVER 0.76 MICROMETERS MINIMUM NICKEL.
- COMPLIANT TAIL - MATTE TIN OPTION: 0.76 TO 152 MICROMETERS MATTE TIN OVER 0.76 MICROMETERS MINIMUM NICKEL.
- LIGHTPIPE HOUSING: 80 MICROMETERS MINIMUM NICKEL OVER COPPER

- 3. REFER TO PS-75310-001 PROTECT SPEC FOR ALL ELECTRICAL, MECHANICAL, AND ENVIRONMENTAL SPECIFICATIONS.
- 4. LIGHT PIPE PAD LAYOUT IS FOR 0805 LOW-PROFILE LED PACKAGE, FOR OTHER RECOMMENDED LAYOUTS REFER TO MOLEX'S REPORT TS-75310-001.
- 5. REFER TO PK-75714-001 FOR ALL PACKAGING SPECIFICATIONS.
- 6. ALL EXTERIOR SURFACES TO BE A CLASS "B" SURFACE EXCEPT THE UNDER SIDE OF THE CAGE WHERE THE PCB WOULD BE LOCATED AND AS NOTED. THE SURFACES TO CONFORM TO THE MOLEX COSMETIC DOC PS-45499-002.
- 7. REFER TO AS-76090-001 FOR HIGH SPEED ROUTING RECOMMENDATIONS.
- 8. DATE CODE LOCATION IS SHOWN ABOVE.

DATE CODE FORMAT: DDDY MX A1

DDD = DAY OF THE YEAR

Y = YEAR

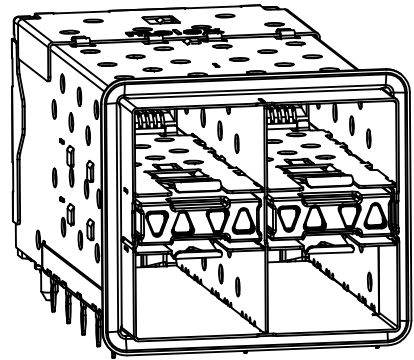
MX = MOLEX

A = ALPHA CHARACTER - INDICATES MANUFACTURING LINE

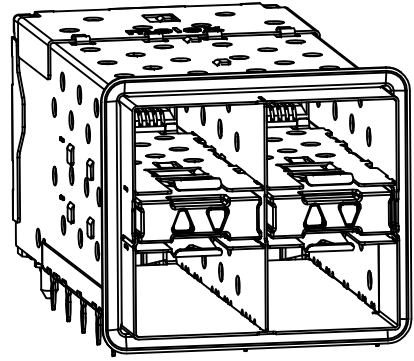
1 = NUMERIC CHARACTER - INDICATES PRODUCTION SHIFT

PART NUMBER	DESCRIPTION	VIEW	COMPLIANT TAIL PLATING	CAGE PLATING
760910001	4 LIGHT PORTS	SEE PG 2	MATTE TIN / LEAD	N/A
760910002	INNER 2 PORTS	SEE PG 2	MATTE TIN / LEAD	N/A
760910003	OUTER 2 PORTS	SEE PG 2	MATTE TIN / LEAD	N/A
760915001	4 LIGHT PORTS	SEE PG 2	MATTE TIN	N/A
760915002	INNER 2 PORTS	SEE PG 2	MATTE TIN	N/A
760915003	OUTER 2 PORTS	SEE PG 2	MATTE TIN	N/A

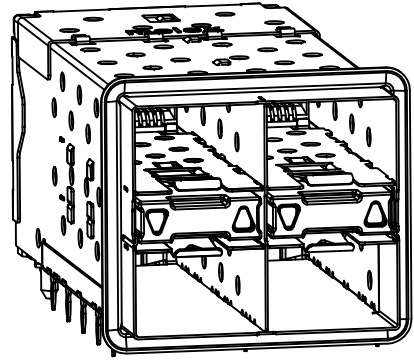
ADD NOTE 7 & 8 EC NO: UCP2011-2594 DRWN: MWOLFE 2011/02/28 CHKD: BARKER 2011/02/28 APPR: MILLER 2011/09/20	QUALITY SYMBOLS 	GENERAL TOLERANCES (UNLESS SPECIFIED)		DIMENSION STYLE MM ONLY	SCALE 3:1	DESIGN UNITS METRIC	THIRD ANGLE PROJECTION	
		4 PLACES ± 0.13	3 PLACES ± 0.25	DRAWN BY JJANTELEZ10	DATE 01-18-2007	TITLE STACKED SFP+ 2X2 ASSY WITH ELASTOMERIC GASKET AND LIGHTPIPES		
		2 PLACES ± 0.13	1 PLACE ± 0.25	CHECKED BY MSANDBERG	DATE 01-18-2007	APPROVED BY RNELSON		
		ANGULAR ± 5 °		DATE 01-18-2007		MATERIAL NO. SEE TABLE		
DRAFT WHERE APPLICABLE MUST REMAIN WITHIN DIMENSIONS		SIZE C		DOCUMENT NO. SD-76091-001		SHEET NO. 1 OF 4		
THIS DRAWING CONTAINS INFORMATION THAT IS PROPRIETARY TO MOLEX INCORPORATED AND SHOULD NOT BE USED WITHOUT WRITTEN PERMISSION								



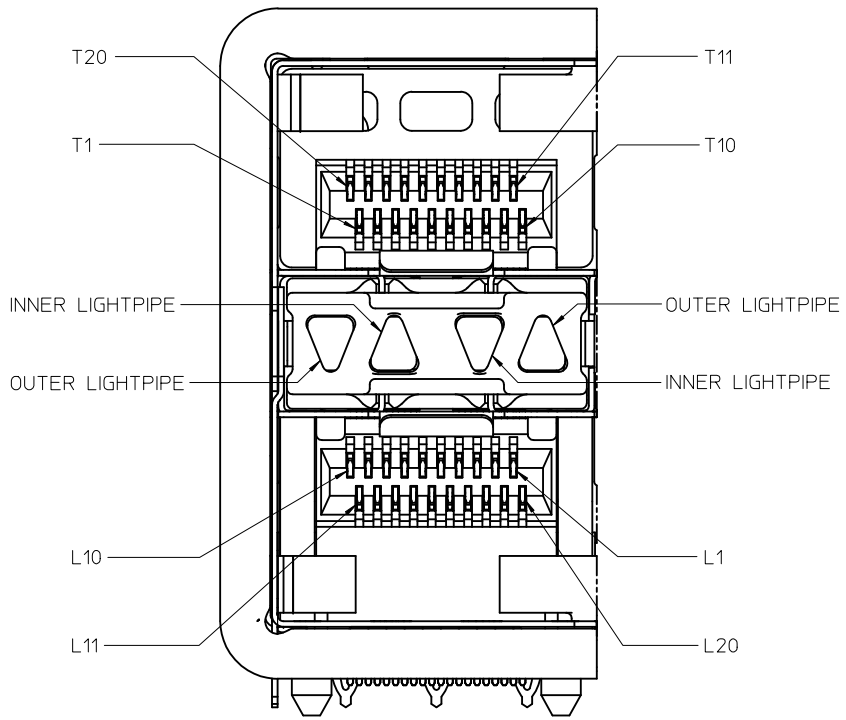
760910001 & 760915001
WITH INNER & OUTER LIGHTPIPE PORTS



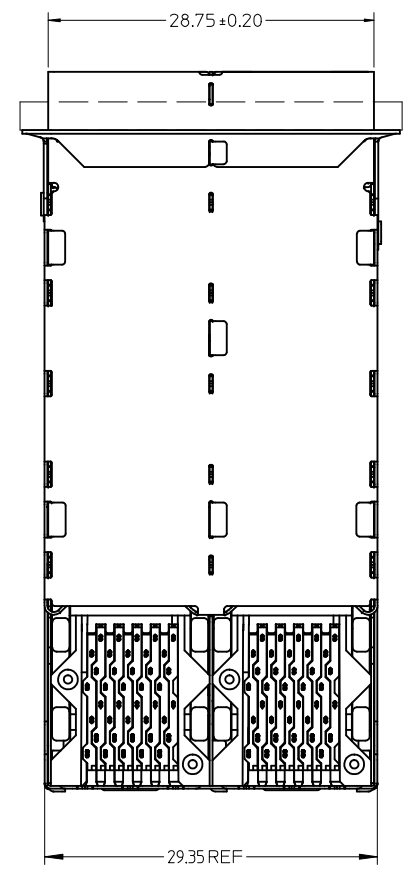
760910002 & 760915002
WITH INNER LIGHTPIPE PORTS



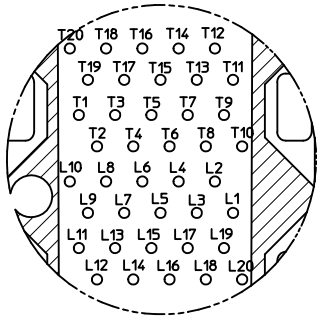
760910003 & 760915003
WITH OUTER LIGHTPIPE PORTS



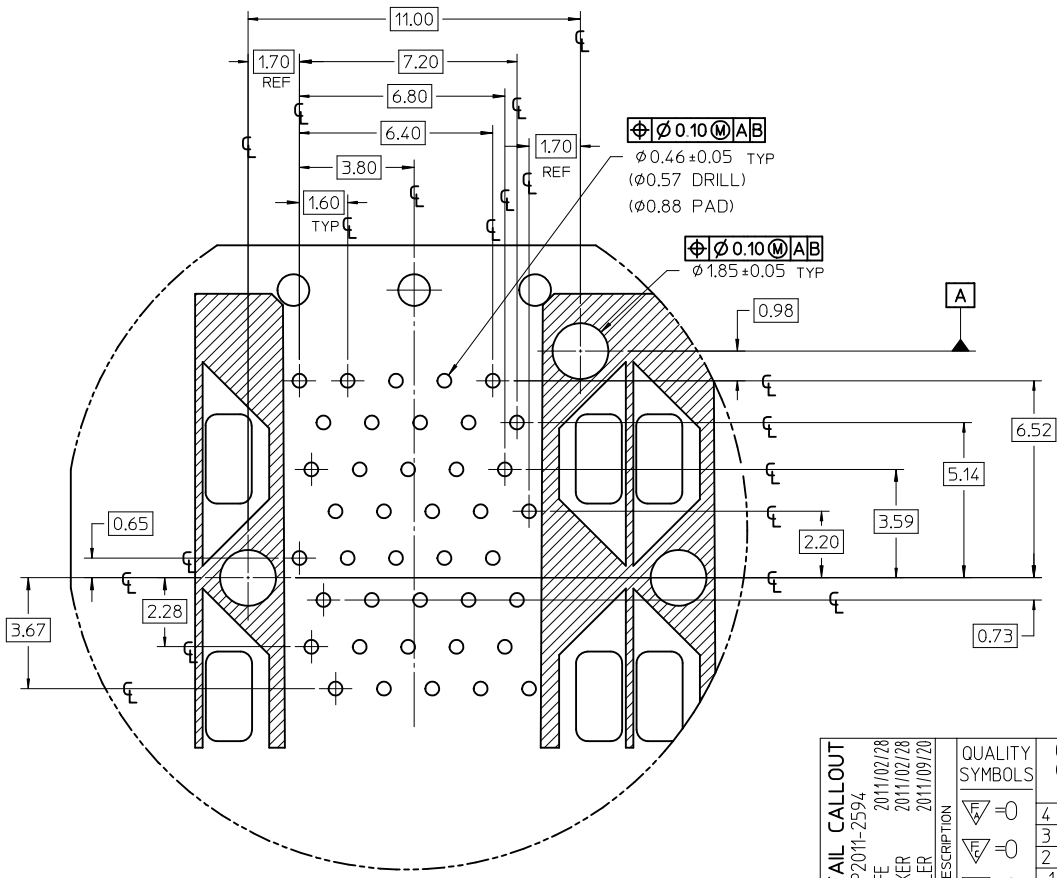
DETAIL B
SCALE 6:1
CIRCUIT NUMBERING
AND LIGHTPIPE
IDENTIFICATION



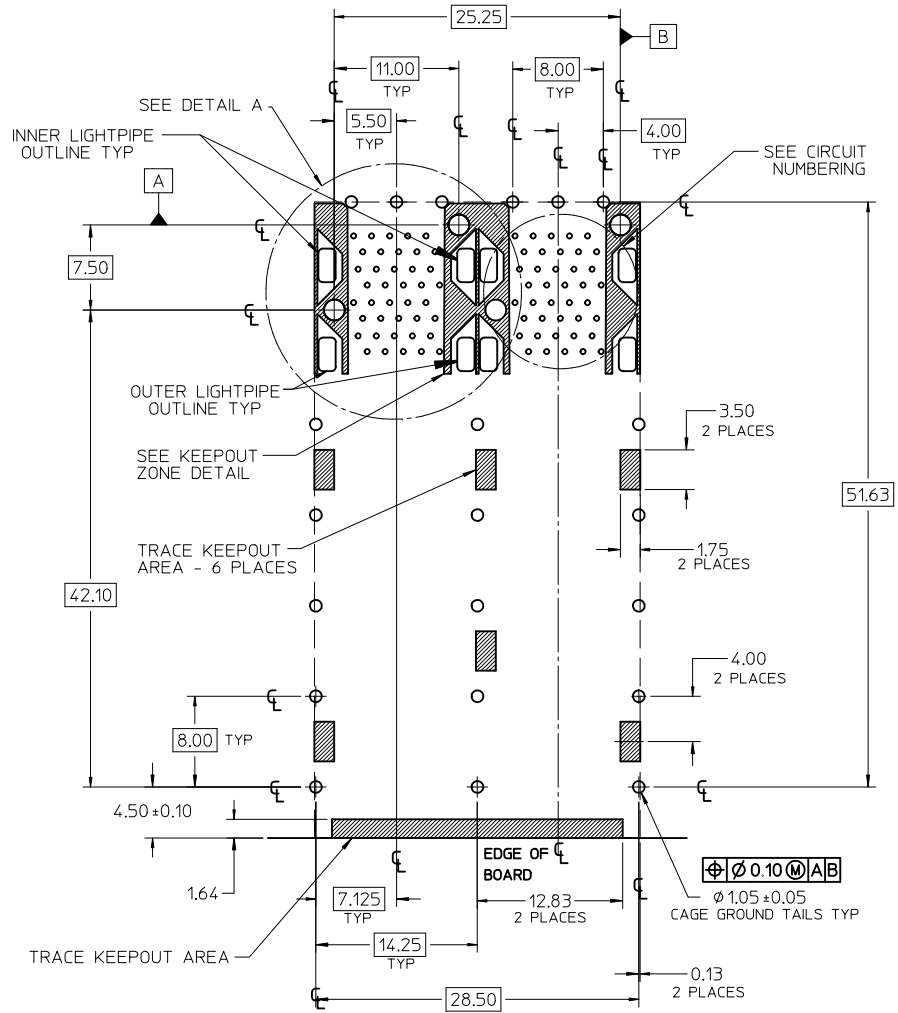
ADD DETAIL B EC NO: UCP2011-2594 DRWN:WOLFE 2011/02/28 CHKD:BBARKER 2011/02/28 APPR:SMILLER 2011/09/20	QUALITY SYMBOLS ▽=0 ▽=0 ▽=0	GENERAL TOLERANCES (UNLESS SPECIFIED)		DIMENSION STYLE MM ONLY	SCALE 3:1	DESIGN UNITS METRIC	THIRD ANGLE PROJECTION		
		4 PLACES ± --- ± --- 3 PLACES ± --- ± --- 2 PLACES ± 0.13 ± --- 1 PLACE ± 0.25 ± ---	mm INCH ± --- ± --- ± --- ± --- ± --- ± ---	DRAWN BY JJANTELEZIO	DATE 01-18-2007	TITLE STACKED SFP+ 2X2 ASSY WITH ELASTOMERIC GASKET AND LIGHTPIPER			
		ANGULAR ± 5 °		CHECKED BY MSANDBERG	DATE 01-18-2007	MOLEX INCORPORATED			
		DRAFT WHERE APPLICABLE MUST REMAIN WITHIN DIMENSIONS		APPROVED BY RNELSON	DATE 01-18-2007	MATERIAL NO. SEE TABLE	DOCUMENT NO. SD-76091-001	SHEET NO. 2 OF 4	



CIRCUIT NUMBERING
COMPONENT SIDE OF BOARD

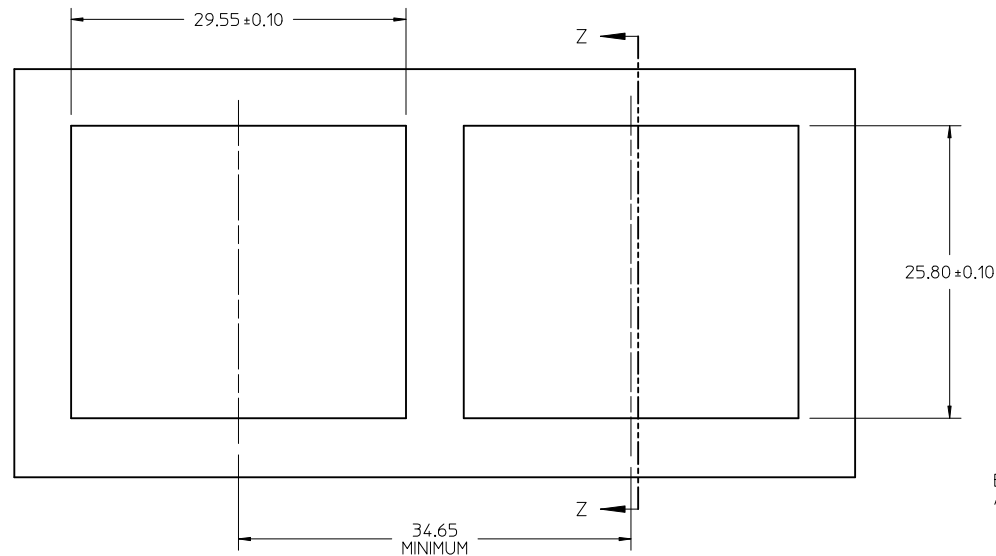


DETAIL A
SCALE 8:1

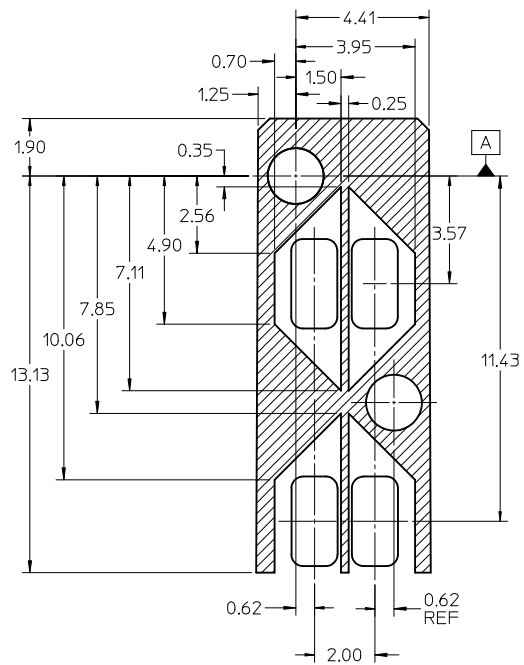
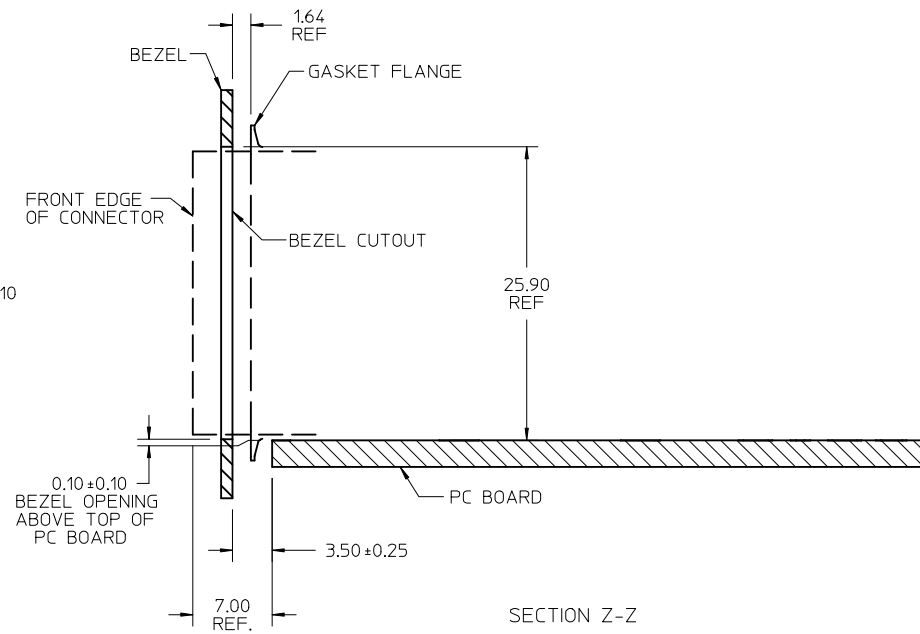


RECOMMENDED PCB LAYOUT - COMPONENT SIDE
RECOMMENDED PCB THICKNESS - 2.36 MM (.093 INCH)
THE ENTIRE AREA OF THE CONNECTOR FOOTPRINT
TO BE CONSIDERED THE KEEP OUT AREA FOR COMPONENTS
(OTHER THAN THE LIGHTPIPE LED'S)
THIS AREA IS INDICATED BY THE DASHED LINE

CHG DETAIL CALLOUT EC NO: UCP2011-2594 DRWINWOLFE 2011/02/28 CHKD:BBARKER 2011/02/28 APPR:SMILLER 2011/09/20	QUALITY SYMBOLS ▽=0 ▽=0 ▽=0	GENERAL TOLERANCES (UNLESS SPECIFIED)		DIMENSION STYLE MM ONLY		SCALE 3:1	DESIGN UNITS METRIC	THIRD ANGLE PROJECTION			
		4 PLACES ± --- ± ---	3 PLACES ± --- ± ---	2 PLACES ± 0.13 ± ---	1 PLACE ± 0.25 ± ---	DRAWN BY JJANTELEZ10	DATE 01-18-2007	STACKED SFP+ 2X2 ASSY WITH ELASTOMERIC GASKET AND LIGHTPIPES			
		ANGULAR ± 5 °				CHECKED BY MSANDBERG	DATE 01-18-2007	MOLEX INCORPORATED			
		DRAFT WHERE APPLICABLE MUST REMAIN WITHIN DIMENSIONS				APPROVED BY RNELSON	DATE 01-18-2007	MATERIAL NO. SEE TABLE	DOCUMENT NO. SD-76091-001	SHEET NO. 3 OF 4	



BEZEL CUT-OUT CENTER SPACING DETAIL
BEZEL THICKNESS: 0.8 - 2.6



KEEP-OUT ZONE DETAIL - LIGHTPIPE LOCATION AND OTHER ZONES
SCALE 8:1

THE HATCHED AREA IN THIS VIEW INDICATES ZONES THAT ARE OCCUPIED BY THE PLASTIC HOUSING THAT SEATS AGAINST THE PCB AND BY THE VERTICAL METAL CAGE WALL THAT STOPS JUST SHORT OF THE PCB

ADD SECOND BEZEL CUTOUT EC NO: UCP2011-2594 DRAWN: WOLFE CHKD: BARKER APPR: MILLER	2011/02/28 2011/02/28 2011/09/20	QUALITY SYMBOLS ▽=0 ▽=0 ▽=0	GENERAL TOLERANCES (UNLESS SPECIFIED)		DIMENSION STYLE MM ONLY	SCALE 3:1	DESIGN UNITS METRIC	THIRD ANGLE PROJECTION
			mm	INCH	DRAWN BY JJANTELEZIO	DATE 01-18-2007	TITLE STACKED SFP+ 2X2 ASSY WITH ELASTOMERIC GASKET AND LIGHTPIPES	
D	DESCRIPTION	REVISION	4 PLACES	± ---	± ---	CHECKED BY MSANDBERG	DATE 01-18-2007	MOLEX INCORPORATED
			3 PLACES	± ---	± ---	APPROVED BY RNELSON	DATE 01-18-2007	
			2 PLACES	± 0.13	± ---	MATERIAL NO. SEE TABLE		DOCUMENT NO. SD-76091-001
			1 PLACE	± 0.25	± ---	SHEET NO. 4 OF 4		
			ANGULAR ± 5 °		THIS DRAWING CONTAINS INFORMATION THAT IS PROPRIETARY TO MOLEX INCORPORATED AND SHOULD NOT BE USED WITHOUT WRITTEN PERMISSION			
			DRAFT WHERE APPLICABLE MUST REMAIN WITHIN DIMENSIONS					