

NOTES:

- MATERIALS:
HOUSING - LIQUID CRYSTAL POLYMER (LCP)
GLASS FILLED, UL94V-0, BLACK
SIGNAL PIN AND SHIELD - COPPER ALLOY
- FINISHES:
CONTACT AREA - SELECTIVE GOLD (Au)
PCB TAILS - SELECTIVE MATTE TIN (Sn)
- THIS PART CONFORMS TO MOLEX PRODUCT SPECIFICATION PS-74031-999.
- FOR MIXED CONTACT LENGTH CONTACT MOLEX FOR AVAILABILITY.
- FOR SPECIFIC MATERIAL NUMBERS AND MATING INFORMATION REFER TO SHEET 2.
- PACKAGE PER PK-74060-003.
- ASSEMBLY WILL BE MARKED WITH P/N AND DATE CODE WITH LASER MARK ON SIDE OF HOUSING OR BY LABEL ON THE TUBE.
- MAPS (MOLEX ADVANCED PLATING SYSTEM).

THE PRIMARY CARTON WITH A LABEL STATING "ELV AND RoHS COMPLIANT" IS LEAD FREE. CARTONS WITHOUT THIS LABEL MAY CONTAIN LEAD.

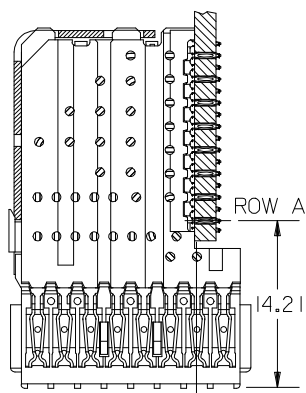
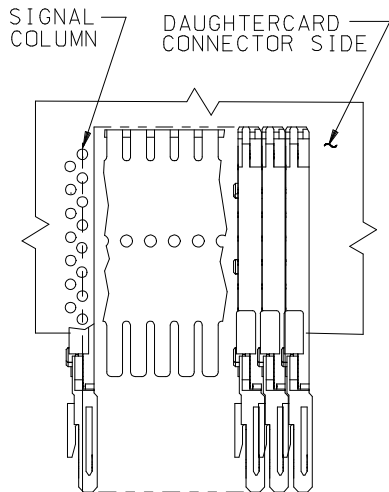
LEAD FREE CONVERSION EC NO: UCP2013-0687 DRAWINGS: 2012/08/23 CHKD:MMOLFE 2012/11/26 APPR:SMILLER 2012/12/14	QUALITY SYMBOLS 	GENERAL TOLERANCES (UNLESS SPECIFIED) <table border="1"> <tr> <th></th> <th>mm</th> <th>INCH</th> </tr> <tr> <td>4 PLACES</td> <td>± ---</td> <td>± ---</td> </tr> <tr> <td>3 PLACES</td> <td>± ---</td> <td>± ---</td> </tr> <tr> <td>2 PLACES</td> <td>± 0.15</td> <td>± ---</td> </tr> <tr> <td>1 PLACE</td> <td>± 0.25</td> <td>± ---</td> </tr> <tr> <td>0 PLACE</td> <td>± ---</td> <td>± ---</td> </tr> </table>		mm	INCH	4 PLACES	± ---	± ---	3 PLACES	± ---	± ---	2 PLACES	± 0.15	± ---	1 PLACE	± 0.25	± ---	0 PLACE	± ---	± ---	DIMENSION STYLE MM ONLY DRAWN BY: JJONIAK DATE: 2008/04/11 CHECKED BY: BINGHAM DATE: 2008/04/11 APPROVED BY: BINGHAM DATE: 2008/04/11	SCALE: 5:1 DESIGN UNITS: METRIC THIRD ANGLE PROJECTION	TITLE: VHDM H-SERIES 8 ROW OPEN END BACKPLANE SALES DRAWING molex DOCUMENT NO. SD-76134-001 SHEET NO. 1 OF 2
		mm	INCH																				
	4 PLACES	± ---	± ---																				
	3 PLACES	± ---	± ---																				
2 PLACES	± 0.15	± ---																					
1 PLACE	± 0.25	± ---																					
0 PLACE	± ---	± ---																					
DESCRIPTION: DRAFT WHERE APPLICABLE MUST REMAIN WITHIN DIMENSIONS	ANGULAR ±1/2°	MATERIAL NO. SEE SHEET 2																					
REV: B	SIZE: C	THIS DRAWING CONTAINS INFORMATION THAT IS PROPRIETARY TO MOLEX INCORPORATED AND SHOULD NOT BE USED WITHOUT WRITTEN PERMISSION																					

MATERIAL NUMBER ASSIGNMENT

76134-***0*

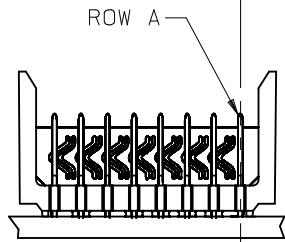
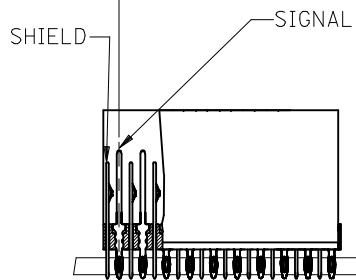
PIN HEIGHT
 1 & 6 = 4.75
 2 & 7 = 6.25
 3 & 8 = 4.25
 4 & 9 = 5.15

NUMBER OF COLUMNS/PLATING
 10 = 10 COLUMN MATTE TIN (FORMERLY TIN/LEAD)
 25 = 25 COLUMN MATTE TIN (FORMERLY TIN/LEAD)
 60 = 10 COLUMN MATTE TIN (MAPS)
 75 = 25 COLUMN MATTE TIN (MAPS)
 90 = 10 COLUMN MATTE TIN
 85 = 25 COLUMN MATTE TIN



2.45
 TOP OF DAUGHTERCARD PCB
 TO ϕ OF ROW A

0.41 OFFSET
 SIGNAL TO SIGNAL



PART NUMBER	COLUMN	NUMBER OF SIGNAL PIN	NUMBER OF SHIELD	A	B	M	GOLD THICKNESS MICROMETER	TIN THICKNESS MICROMETER
76134-6001	10	80	10	27.00	18.00	4.75	0.25 MAPS	0.76-1.52
76134-*001							0.76	
76134-*006							1.27	
76134-7501	25	200	25	57.00	48.00	4.75	0.25 MAPS	
76134-*501							0.76	
76134-*506							1.27	
76134-6002	10	80	10	27.00	18.00	6.25	0.25 MAPS	
76134-*002							0.76	
76134-*007							1.27	
76134-7502	25	200	25	57.00	48.00	6.25	0.25 MAPS	
76134-*502							0.76	
76134-*507							1.27	
76134-6003	10	80	10	27.00	18.00	4.25	0.25 MAPS	
76134-*003							0.76	
76134-*008							1.27	
76134-7503	25	200	25	57.00	48.00	4.25	0.25 MAPS	
76134-*503							0.76	
76134-*508							1.27	
76134-6004	10	80	10	27.00	18.00	5.15	0.25 MAPS	
76134-*004							0.76	
76134-*009							1.27	
76134-7504	25	200	25	57.00	48.00	5.15	0.25 MAPS	
76134-*504							0.76	
76134-*509							1.27	

SEE SHEET 1 EC NO: UCP2013-0687 DRWNGES 2012/08/23 CHKDMMOLFE 2012/11/26 APPR:SMILLER 2012/12/14 REV	QUALITY SYMBOLS	GENERAL TOLERANCES (UNLESS SPECIFIED)	DIMENSION STYLE MM ONLY	SCALE 5:1	DESIGN UNITS METRIC	THIRD ANGLE PROJECTION																														
	$\nabla = 0$ $\nabla = 0$ $\nabla = 0$	<table border="1"> <tr> <th></th> <th>mm</th> <th>INCH</th> </tr> <tr> <td>4 PLACES</td> <td>\pm ---</td> <td>\pm ---</td> </tr> <tr> <td>3 PLACES</td> <td>\pm ---</td> <td>\pm ---</td> </tr> <tr> <td>2 PLACES</td> <td>\pm 0.15</td> <td>\pm ---</td> </tr> <tr> <td>1 PLACE</td> <td>\pm 0.25</td> <td>\pm ---</td> </tr> <tr> <td>0 PLACE</td> <td>\pm ---</td> <td>\pm ---</td> </tr> </table>		mm	INCH	4 PLACES	\pm ---	\pm ---	3 PLACES	\pm ---	\pm ---	2 PLACES	\pm 0.15	\pm ---	1 PLACE	\pm 0.25	\pm ---	0 PLACE	\pm ---	\pm ---	<table border="1"> <tr> <th>DRAWN BY</th> <th>DATE</th> </tr> <tr> <td>JJONIAK</td> <td>2008/04/11</td> </tr> <tr> <th>CHECKED BY</th> <th>DATE</th> </tr> <tr> <td>BINGHAM</td> <td>2008/04/11</td> </tr> <tr> <th>APPROVED BY</th> <th>DATE</th> </tr> <tr> <td>BINGHAM</td> <td>2008/04/11</td> </tr> </table>	DRAWN BY	DATE	JJONIAK	2008/04/11	CHECKED BY	DATE	BINGHAM	2008/04/11	APPROVED BY	DATE	BINGHAM	2008/04/11	TITLE VHDM H-SERIES 8 ROW OPEN END BACKPLANE SALES DRAWING molex		
		mm	INCH																																	
	4 PLACES	\pm ---	\pm ---																																	
3 PLACES	\pm ---	\pm ---																																		
2 PLACES	\pm 0.15	\pm ---																																		
1 PLACE	\pm 0.25	\pm ---																																		
0 PLACE	\pm ---	\pm ---																																		
DRAWN BY	DATE																																			
JJONIAK	2008/04/11																																			
CHECKED BY	DATE																																			
BINGHAM	2008/04/11																																			
APPROVED BY	DATE																																			
BINGHAM	2008/04/11																																			
ANGULAR $\pm 1/2^\circ$ DRAFT WHERE APPLICABLE MUST REMAIN WITHIN DIMENSIONS	MATERIAL NO. SEE TABLE	DOCUMENT NO. SD-76134-001	SHEET NO. 2 OF 2																																	
THIS DRAWING CONTAINS INFORMATION THAT IS PROPRIETARY TO MOLEX INCORPORATED AND SHOULD NOT BE USED WITHOUT WRITTEN PERMISSION																																				