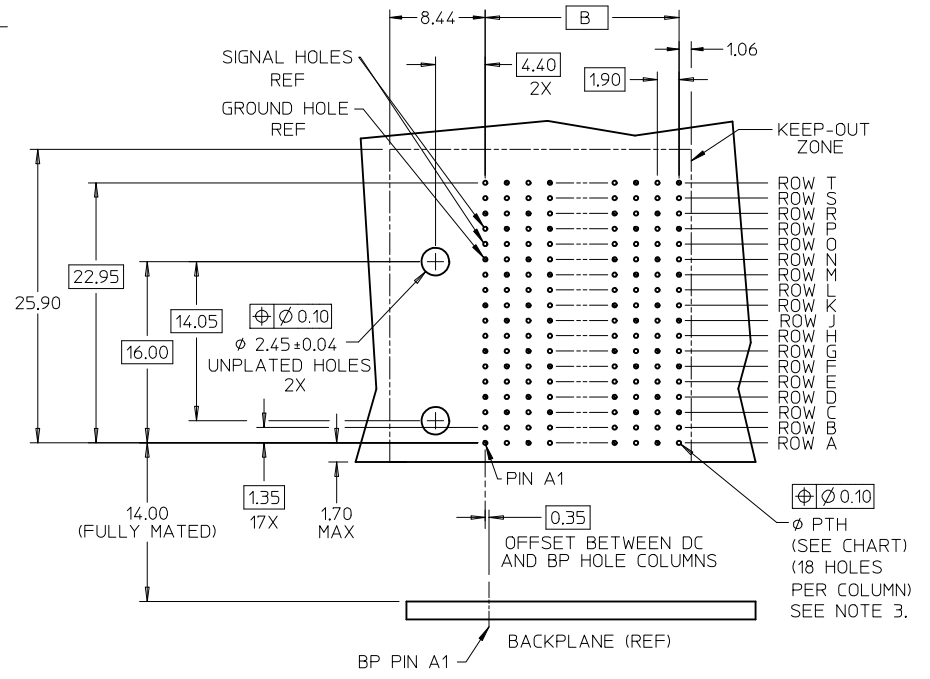
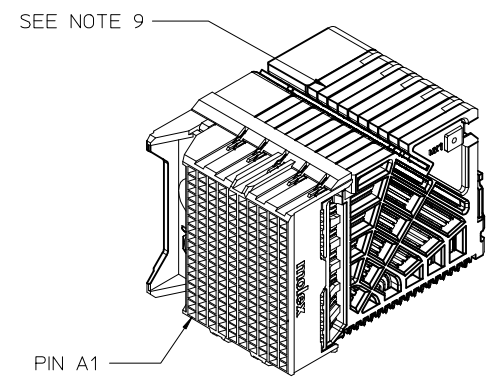
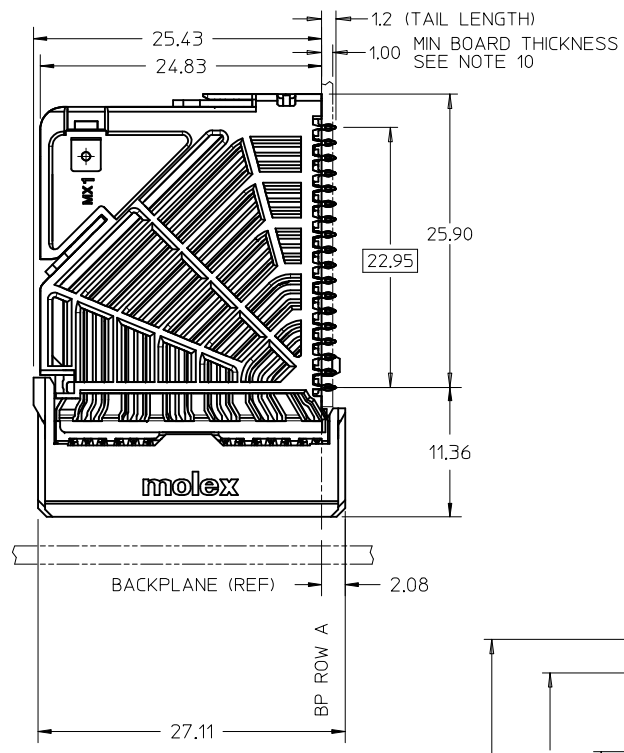


KEY SHOWN IN POSITION "A"



DAUGHTERCARD HOLE PATTERN (CONNECTOR SIDE)

- NOTES:
1. MATERIALS: HOUSING - LIQUID CRYSTAL POLYMER (LCP), GLASS-FILLED, UL94V-0 TERMINALS - HIGH PERFORMANCE COPPER ALLOY
 2. FINISH: 30μN MIN GOLD IN CONTACT AREA, SELECTIVE TIN OR SELECTIVE TIN-LEAD ON PCB TAILS, NICKEL OVERALL.
 3. REFER TO MOLEX PRODUCT SPEC PS-76060-999 FOR PERFORMANCE SPECIFICATIONS AND ADDITIONAL PCB INFORMATION.
 4. EACH SIGNAL WAFER CONTAINS 2 COLUMNS OF TERMINALS.
 5. PRODUCT IS PACKAGED PER PK-70873-589.
 6. THIS PART CONFORMS TO CLASS B REQUIREMENTS OF COSMETIC SPEC PS-45499-002.
 7. REFER TO MOLEX SALES DRAWING SD-76145-002 FOR THE MATING HEADERS AND SD-76560-002 FOR THE MATING RAM CONNECTORS.
 8. REFER TO MOLEX ROUTING GUIDE AS-76060-990 FOR ANTI PAD AND ROUTING RECOMMENDATIONS.
 9. PART NUMBER 76150-3020 SHOWN ON DRAWING. KEYING FEATURES WILL CHANGE WITH COLUMN SIZE.
 10. MINIMUM BOARD THICKNESS IS 1.00 mm FOR COMPLIANT PIN FUNCTIONALITY.
 11. WHEN USING MOLEX SUPPLIED #2-32 SCREW 73726-0000 (9.50mm ±0.38 THREADABLE SCREW LENGTH), THE MAXIMUM BOARD THICKNESS IS 4.4mm.

STANDARDIZATION EC NO: LUCP2013-5285 DRAWN: LOFSKY 2013/06/18 CHKD: APPR:TELO 2013/07/18	QUALITY SYMBOLS	GENERAL TOLERANCES (UNLESS SPECIFIED)	DIMENSION STYLE MM ONLY	SCALE 3:1	DESIGN UNITS METRIC	THIRD ANGLE PROJECTION																											
	$\nabla=0$ $\nabla=0$ $\nabla=0$	<table border="1"> <tr> <th></th> <th>mm</th> <th>INCH</th> </tr> <tr> <td>4 PLACES</td> <td>± ---</td> <td>± ---</td> </tr> <tr> <td>3 PLACES</td> <td>± ---</td> <td>± ---</td> </tr> <tr> <td>2 PLACES</td> <td>± 0.13</td> <td>± ---</td> </tr> <tr> <td>1 PLACE</td> <td>± 0.25</td> <td>± ---</td> </tr> </table>		mm	INCH	4 PLACES	± ---	± ---	3 PLACES	± ---	± ---	2 PLACES	± 0.13	± ---	1 PLACE	± 0.25	± ---	<table border="1"> <tr> <td>DRAWN BY</td> <td>DATE</td> </tr> <tr> <td>JLAURX</td> <td>2008/03/12</td> </tr> <tr> <td>CHECKED BY</td> <td>DATE</td> </tr> <tr> <td>TELO</td> <td>2008/03/12</td> </tr> <tr> <td>APPROVED BY</td> <td>DATE</td> </tr> <tr> <td>JLAURX</td> <td>2010/11/04</td> </tr> </table>	DRAWN BY	DATE	JLAURX	2008/03/12	CHECKED BY	DATE	TELO	2008/03/12	APPROVED BY	DATE	JLAURX	2010/11/04	IMPACT 100 OHM DC 6 PAIR SIGNAL MODULE GUIDE LEFT SALES DWG		
			mm	INCH																													
		4 PLACES	± ---	± ---																													
3 PLACES	± ---	± ---																															
2 PLACES	± 0.13	± ---																															
1 PLACE	± 0.25	± ---																															
DRAWN BY	DATE																																
JLAURX	2008/03/12																																
CHECKED BY	DATE																																
TELO	2008/03/12																																
APPROVED BY	DATE																																
JLAURX	2010/11/04																																
G2	DRAFT WHERE APPLICABLE MUST REMAIN WITHIN DIMENSIONS	SEE CHART	<table border="1"> <tr> <td>MATERIAL NO.</td> <td>DOCUMENT NO.</td> </tr> <tr> <td></td> <td>SD-76150-002</td> </tr> </table>		MATERIAL NO.	DOCUMENT NO.		SD-76150-002	SHEET NO. 1 OF 2																								
MATERIAL NO.	DOCUMENT NO.																																
	SD-76150-002																																

MATERIAL NUMBER	# OF COLUMNS	# OF DIFF PAIR	DIM "A" MAX	DIM "B"	PTH ϕ
76150-**-10	10	60	26.60	17.10	0,46 $\pm 0,05$
76150-**-14	14	84	34.20	24.70	
76150-**-16	16	96	38.00	28.50	
76150-**-20	10	60	26.60	17.10	0,39 $\pm 0,05$
76150-**-24	14	84	34.20	24.70	
76150-**-26	16	96	38.00	28.50	

76150-****

3 = LEFT GUIDED LEAD-FREE

OF COLUMNS

POLARIZATION KEY ORIENTATION

0 = NO KEY

1 = A

2 = B

3 = C

4 = D

5 = E

6 = F

7 = G

8 = H

10 = 10 COL 0.46 PTH

14 = 14 COL 0.46 PTH

16 = 16 COL 0.46 PTH

20 = 10 COL 0.39 PTH

24 = 14 COL 0.39 PTH

26 = 16 COL 0.39 PTH

SEE SHEET 1 EC NO: UCP2013-5285 DRWN: COFSKY 2013/06/18 CHKD: APPR: TELO 2013/07/18	QUALITY SYMBOLS	GENERAL TOLERANCES (UNLESS SPECIFIED)		DIMENSION STYLE	SCALE	DESIGN UNITS	THIRD ANGLE PROJECTION
		mm	INCH	MM ONLY	3:1	METRIC	
		4 PLACES \pm ---	\pm ---	JLAURX	DATE	TITLE IMPACT 100 OHM DC 6 PAIR SIGNAL MODULE GUIDE LEFT SALES DWG	
		3 PLACES \pm ---	\pm ---	CHECKED BY	DATE		
	2 PLACES ± 0.13	\pm ---	TELO	DATE	molex		
	1 PLACE ± 0.25	\pm ---	APPROVED BY	DATE			
	0 PLACE \pm	\pm	JLAURX	DATE	MATERIAL NO.	DOCUMENT NO.	SHEET NO.
					SEE CHART	SD-76150-002	2 OF 2
					THIS DRAWING CONTAINS INFORMATION THAT IS PROPRIETARY TO MOLEX INCORPORATED AND SHOULD NOT BE USED WITHOUT WRITTEN PERMISSION		