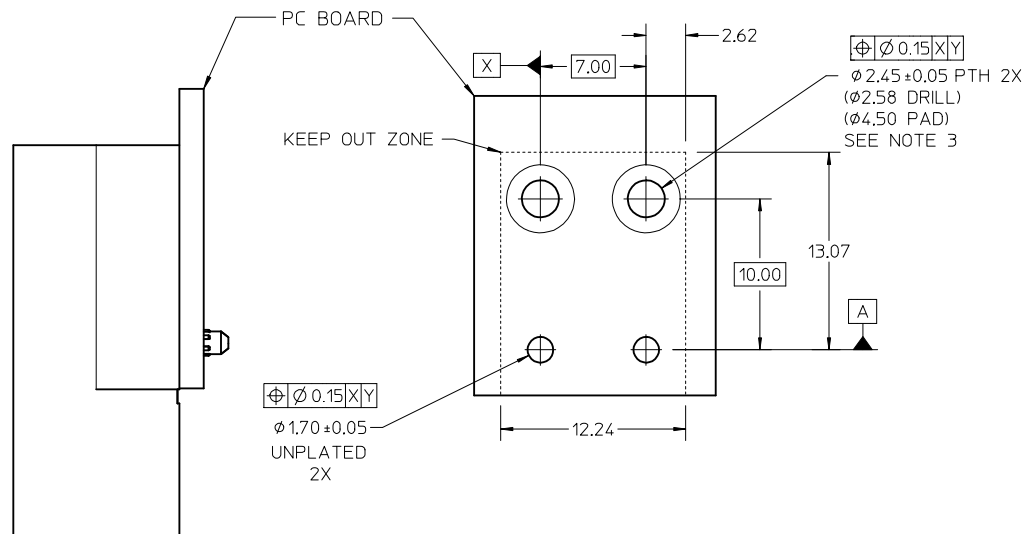
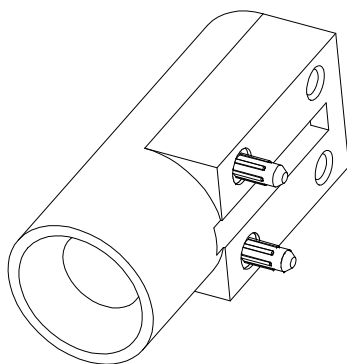
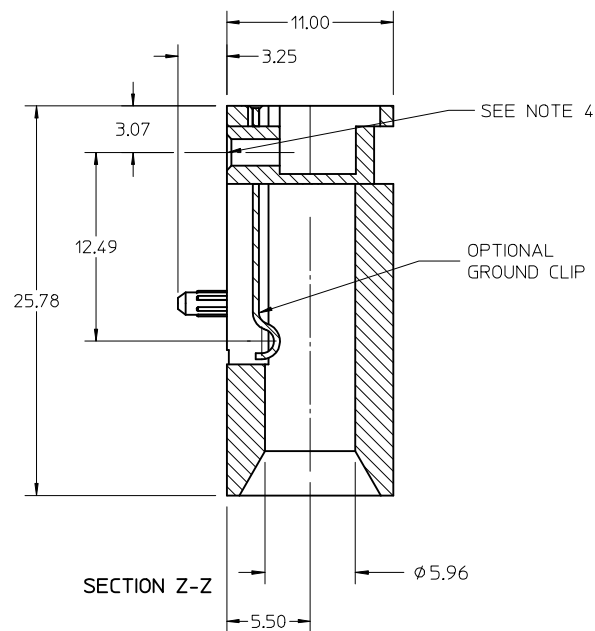


NOTES:

1. MATERIALS: HOUSING - ZINC DIE CAST.
TERMINAL - HIGH PERFORMANCE COPPER ALLOY.
2. FINISH: HOUSING - CLEAR TRIVALENT CHROMATE (SILVER IN VISUAL APPEARANCE).
TERMINAL - SELECTIVE GOLD IN CONTACT AREA.
3. THE ESD GROUND CLIP AND PLATED THROUGH HOLE REQUIREMENT APPLIES TO THE ESD GROUND MODULE ONLY. THE UNGROUNDED GUIDE MODULE USES A $\varnothing 2.60 \pm 0.05$ UNPLATED SCREW HOLE.
4. SCREW TORQUE SPECIFICATION: 2.0 IN-LBS.
5. THIS GUIDE MODULE IS TO BE USED WITH GUIDE PIN KIT P/N 75234-1478.
6. KIT PART NUMBERS ARE SHIPPED WITH 2-56 UNC 2B SCREW P/N 73774-1000.
7. THIS PART CONFORMS TO CLASS B REQUIREMENTS OF COSMETIC SPEC PS-45499-002.

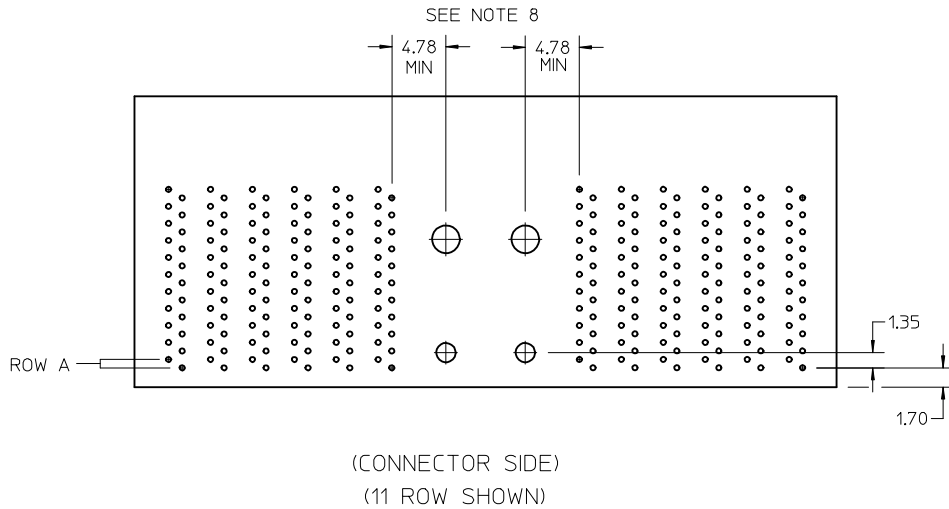


KIT PART NUMBER*	STYLE
76153-1001	W/O ESD CLIP
76153-1002	W/ESD CLIP

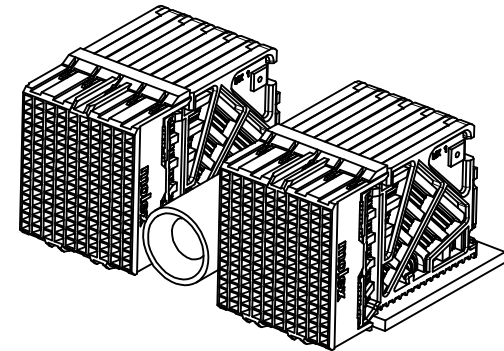
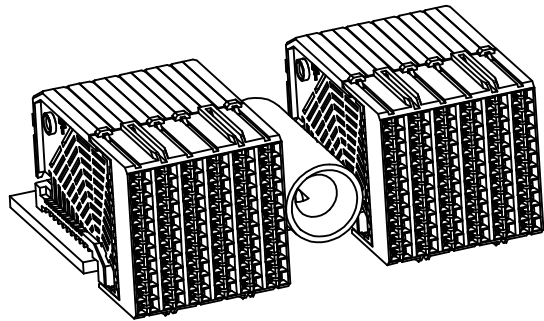
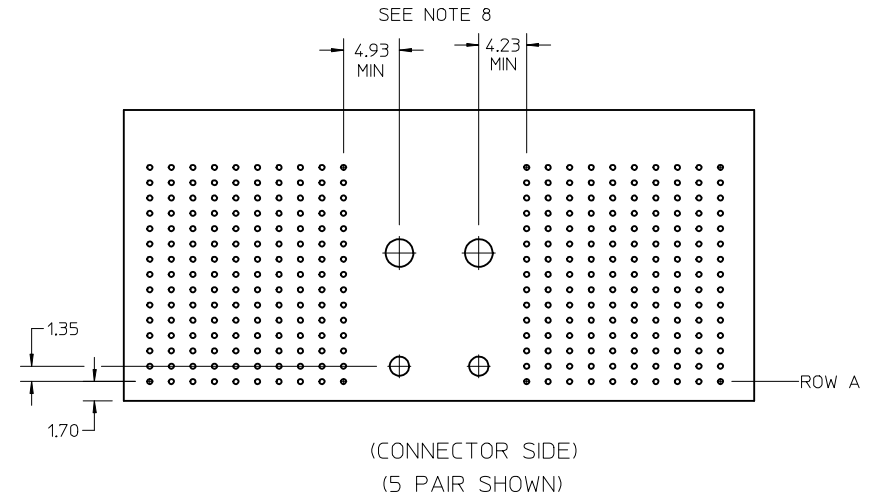
*KIT PART NUMBER INCLUDES THE GUIDE MODULE AND 2 SCREWS. (SEE NOTE 6)

NO CHANGE FROM REV-E3 EC NO: UCP2013-4791 DRWN: JMENDOZA 2013/05/03 CHKD: TELO 2013/05/03 APPR: TELO 2013/05/06	QUALITY SYMBOLS ▽=0 ▽=0	GENERAL TOLERANCES (UNLESS SPECIFIED) <table border="1"> <thead> <tr> <th></th> <th>mm</th> <th>INCH</th> </tr> </thead> <tbody> <tr> <td>4 PLACES</td> <td>± 0.13</td> <td>± 0.005</td> </tr> <tr> <td>3 PLACES</td> <td>± 0.25</td> <td>± 0.010</td> </tr> <tr> <td>2 PLACES</td> <td>± 0.38</td> <td>± 0.015</td> </tr> <tr> <td>1 PLACE</td> <td>± 0.51</td> <td>± 0.020</td> </tr> </tbody> </table> ANGULAR ± .5 °		mm	INCH	4 PLACES	± 0.13	± 0.005	3 PLACES	± 0.25	± 0.010	2 PLACES	± 0.38	± 0.015	1 PLACE	± 0.51	± 0.020	DIMENSION STYLE MM ONLY	SCALE 4:1	DESIGN UNITS METRIC	THIRD ANGLE PROJECTION
		mm	INCH																		
	4 PLACES	± 0.13	± 0.005																		
	3 PLACES	± 0.25	± 0.010																		
2 PLACES	± 0.38	± 0.015																			
1 PLACE	± 0.51	± 0.020																			
DRAWN BY JMENDOZA	DATE 2008/11/20	TITLE PIRATE CANNON WIDE GUIDE DIE CAST GUIDE MODULE		MOLEX INCORPORATED																	
CHECKED BY JLAURX	DATE 2008/11/20	APPROVED BY JLAURX		DATE 2008/11/20	MOLEX INCORPORATED																
REV E4	DESCRIPTION GUIDE MODULE	DRAFT WHERE APPLICABLE MUST REMAIN WITHIN DIMENSIONS	MATERIAL NO. SEE CHART	DOCUMENT NO. SD-76153-001	SHEET NO. 1 OF 2	THIS DRAWING CONTAINS INFORMATION THAT IS PROPRIETARY TO MOLEX INCORPORATED AND SHOULD NOT BE USED WITHOUT WRITTEN PERMISSION															

I-TRAC DAUGHTERCARD BOARD LAYOUT



IMPACT DAUGHTERCARD BOARD LAYOUT



NOTES:

- 8. THIS DIMENSION IS RELATED TO THE GUIDE PIN SPACING ON THE BACKPLANE SIDE, AS THIS DIMENSION INCREASES THE BACKPLANE TO GUIDE PIN SPACING MUST ALSO INCREASE. PLEASE SEE SD-75234-478 FOR ADDITIONAL INFORMATION.
- 9. THIS DRAWING SHOWS IMPACT AND I-TRAC FOR REFERENCE PURPOSES, THIS GUIDE MODULE IS A STANDALONE UNIT AND CAN BE USED WITH MANY MOLEX CONNECTORS.
- 10.FOR DETAIL SIGNAL CONNECTOR BOARD LAYOUTS PLEASE SEE THE SALES DRAWING FOR THE SPECIFIC PART.

SEE SHEET 1 EC NO: UCP2013-4791 DRWN:JMENDOZA 2013/05/03 CHKD:TELO 2013/05/03 APPR:TELO 2013/05/06	QUALITY SYMBOLS ▽=0 ▽=0	GENERAL TOLERANCES (UNLESS SPECIFIED)		DIMENSION STYLE MM ONLY		SCALE 3:1	DESIGN UNITS METRIC	THIRD ANGLE PROJECTION		
		4 PLACES ± --- ± ---	3 PLACES ± --- ± ---	DRAWN BY JMENDOZA	DATE 2008/11/20	TITLE PIRATE CANNON WIDE GUIDE DIE CAST GUIDE MODULE				
		2 PLACES ± 0.13 ± ---	1 PLACE ± 0.25 ± ---	CHECKED BY JLAURX	DATE 2008/11/20	APPROVED BY JLAURX				
		ANGULAR ± .5 °		MATERIAL NO. SEE CHART		DOCUMENT NO. SD-76153-001		SHEET NO. 2 OF 2		
DRAFT WHERE APPLICABLE MUST REMAIN WITHIN DIMENSIONS		THIS DRAWING CONTAINS INFORMATION THAT IS PROPRIETARY TO MOLEX INCORPORATED AND SHOULD NOT BE USED WITHOUT WRITTEN PERMISSION								