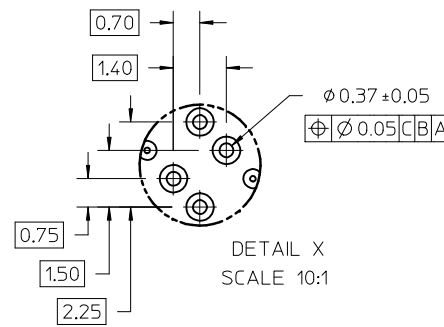
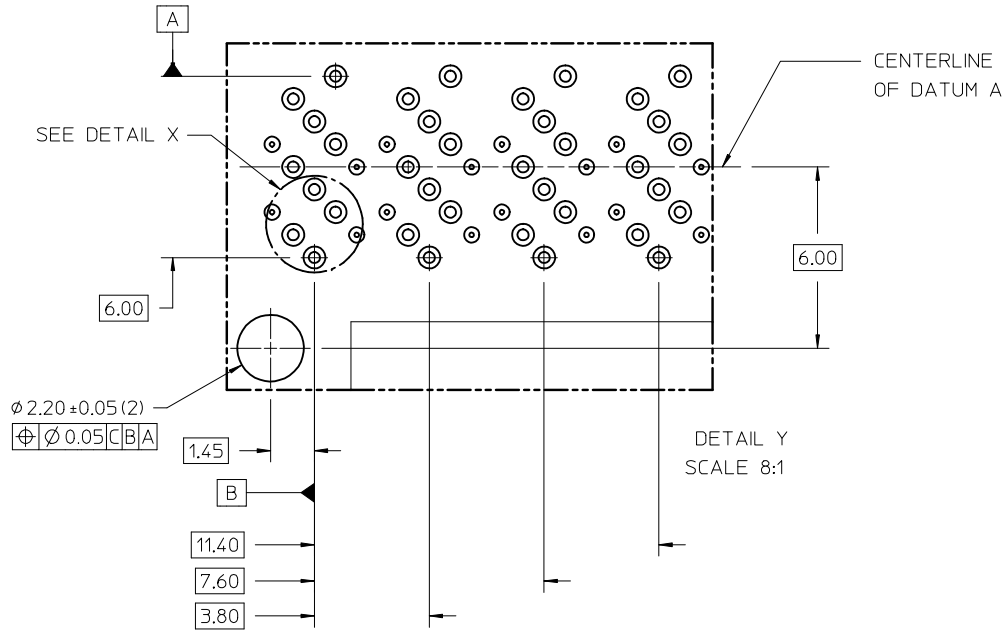
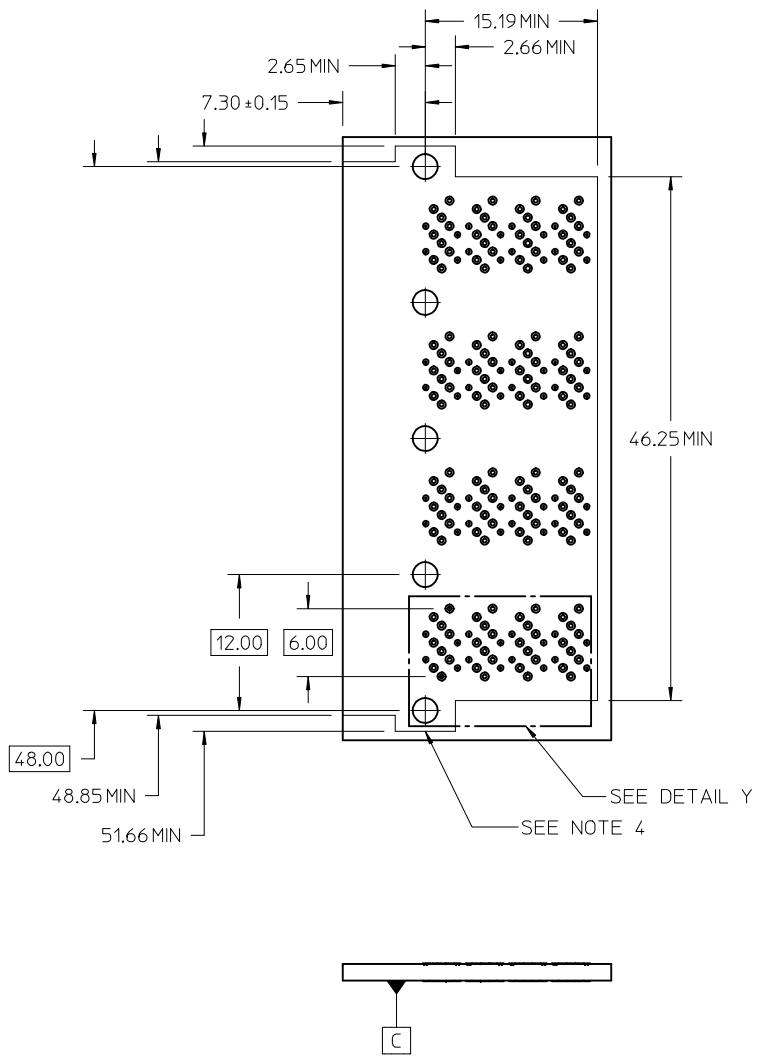


NOTES:

1. MATERIALS:  
CONNECTOR HOUSING: HIGH TEMPERATURE THERMOPLASTIC  
GLASS FILLED, UL 94V-0  
TERMINALS: COPPER ALLOY
2. FINISHES:  
CONTACT AREA: 0.76µM MIN GOLD OVER 2.54µM MIN NICKEL  
TAIL AREA:  
OPTION 1: 0.76µM-1.52µM TIN/LEAD (90/10) OVER 2.54µM MIN NICKEL  
OPTION 2: 0.76µM-1.52µM TIN (LEAD FREE) OVER 2.54µM MIN NICKEL
3. PRODUCT SPECIFICATION: PS-76867-001
4. PACKAGING SPECIFICATION: PK-76867-001
5. MATES WITH: MOLEX CABLE SERIES 111067 & 111072
6. RECOMMENDED MOUNTING HARDWARE: M2X1.35 SELF-THREADING SCREW  
MOUNTING SCREW LENGTH: PCB THICKNESS + 3.00MM MAX (1.75MM MIN)  
MOUNTING HARDWARE NOT SUPPLIED
7. APPROXIMATE MOLDING GATE LOCATION

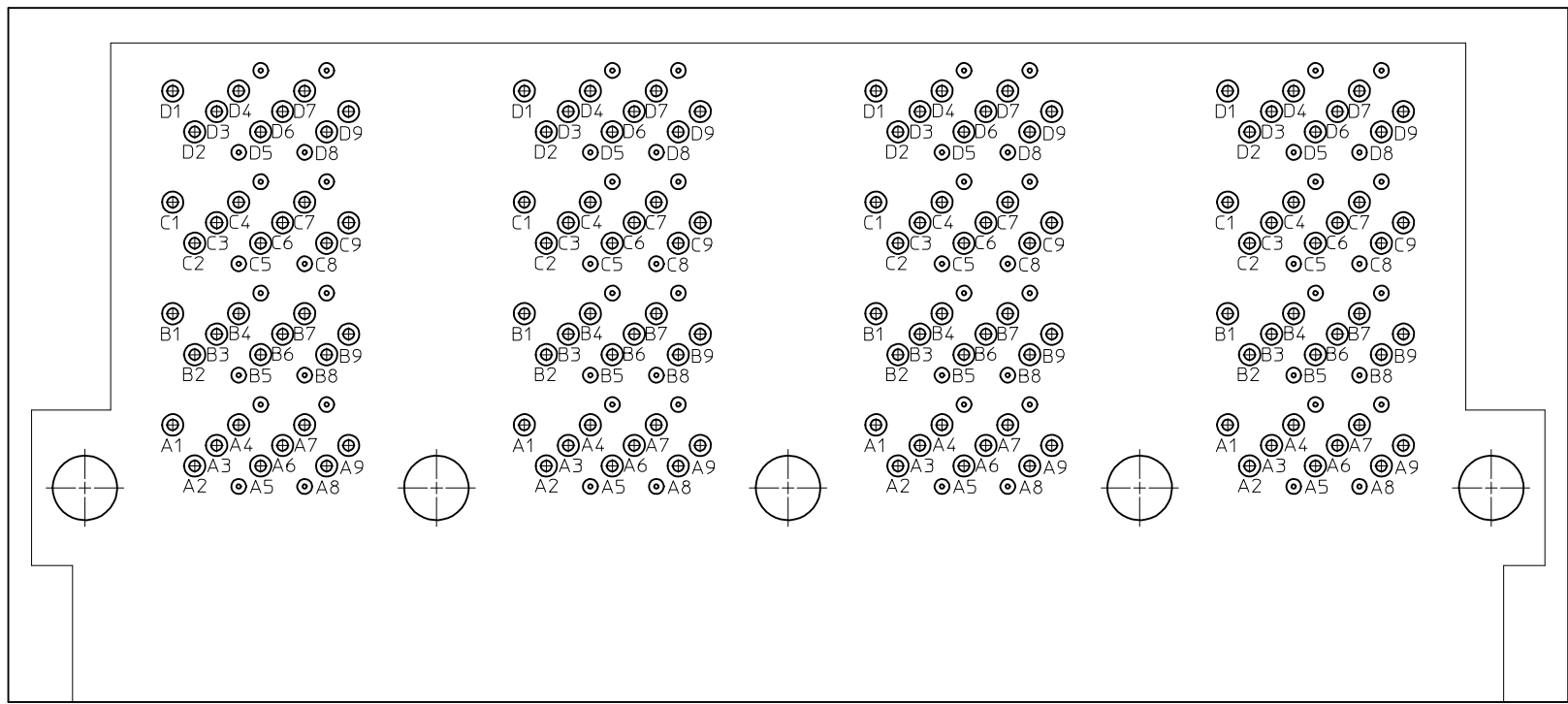
PLATING OPT.	MATERIAL NO.
OPTION 1	76867-0003
OPTION 2	76867-0013

<b>REV NOTE REF SHT2</b> EC NO: UCP2013-1619 DRAWN BY: INGHAM 2012/10/25 CHKD: TMCLELL 2012/10/29 APPR: TMCLELL	<b>QUALITY SYMBOLS</b> ▽=0 ▽=0	<b>GENERAL TOLERANCES (UNLESS SPECIFIED)</b>		<b>DIMENSION STYLE</b> MM ONLY	<b>SCALE</b> 3:1	<b>DESIGN UNITS</b> METRIC	THIRD ANGLE PROJECTION		
		4 PLACES ± --- ± --- 3 PLACES ± --- ± .005 2 PLACES ± 0.13 ± .010 1 PLACE ± 0.25 ± ---	mm INCH	<b>DRAWN BY</b> KLANG	<b>DATE</b> 2009/05/15	<b>TITLE</b> IPASS PLUS HD 1X4 ASSEMBLY INTERNAL			
		ANGULAR ±1/2°		<b>CHECKED BY</b> DATE	<b>DATE</b> 2010/11/17	<b>MOLEX INCORPORATED</b>			
		DRAFT WHERE APPLICABLE MUST REMAIN WITHIN DIMENSIONS		<b>APPROVED BY</b> MBANAK I S	<b>DATE</b> 2010/11/17	<b>DOCUMENT NO.</b> SD-76867-003	<b>SHEET NO.</b> 1 OF 4	<b>THIS DRAWING CONTAINS INFORMATION THAT IS PROPRIETARY TO MOLEX INCORPORATED AND SHOULD NOT BE USED WITHOUT WRITTEN PERMISSION</b>	

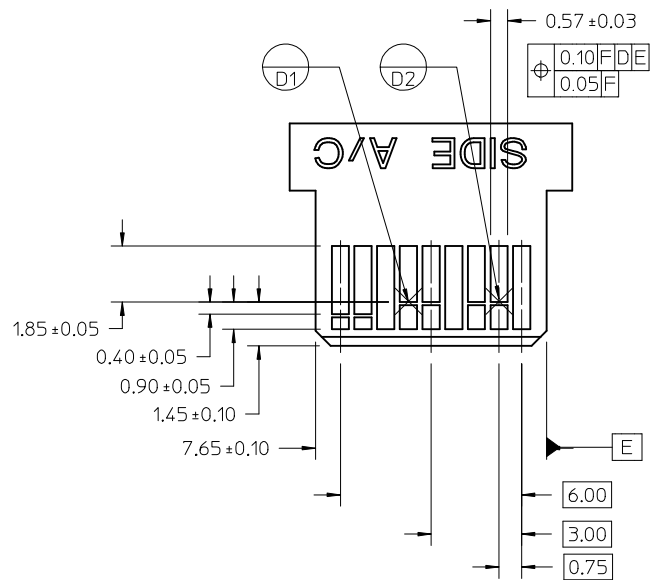
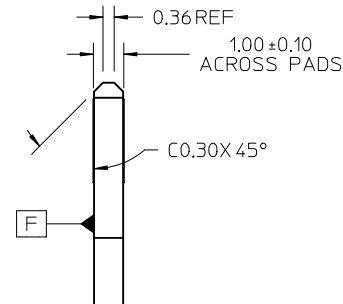
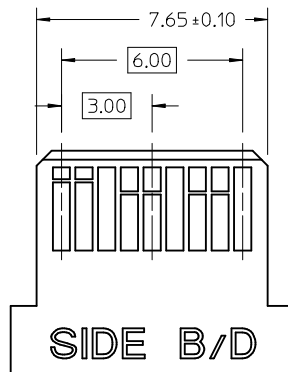


- NOTES:
1. RECOMMENDED DRILL SIZE AND ANNULAR RING FOR A  $0.37\varnothing$  FINISHED PTH - REFER TO APPLICATION SPECIFICATION AS-76867-001
  2. MINIMUM RECOMMENDED SPACING: 14.00MM
  3. MINIMUM PCB THICKNESS: 1.57MM
  4. CONNECTOR KEEP OUT AREA

SEE SHEET 1 EC NO: UCP2013-1619 DRWING: BINGHAM 2012/10/25 CHKD: TMCLELL APPR: TMCLELL 2012/10/29	QUALITY SYMBOLS	GENERAL TOLERANCES (UNLESS SPECIFIED) <table border="1"> <tr> <th></th> <th>mm</th> <th>INCH</th> </tr> <tr> <td>4 PLACES</td> <td>± ---</td> <td>± ---</td> </tr> <tr> <td>3 PLACES</td> <td>± ---</td> <td>± .005</td> </tr> <tr> <td>2 PLACES</td> <td>± 0.13</td> <td>± .010</td> </tr> <tr> <td>1 PLACE</td> <td>± 0.25</td> <td>± ---</td> </tr> </table> ANGULAR ±1/2°		mm	INCH	4 PLACES	± ---	± ---	3 PLACES	± ---	± .005	2 PLACES	± 0.13	± .010	1 PLACE	± 0.25	± ---	DIMENSION STYLE <b>MM ONLY</b>	SCALE <b>3:1</b>	DESIGN UNITS <b>METRIC</b>	THIRD ANGLE PROJECTION
			mm	INCH																	
	4 PLACES		± ---	± ---																	
	3 PLACES		± ---	± .005																	
2 PLACES	± 0.13	± .010																			
1 PLACE	± 0.25	± ---																			
DESCRIPTION	DRAWN BY KLANG	DATE 2009/05/15	<b>IPASS PLUS HD 1X4 ASSEMBLY INTERNAL</b>																		
REV	CHECKED BY	DATE																			
	APPROVED BY MBANAKIS	DATE 2010/11/17	<b>MOLEX INCORPORATED</b>																		
	MATERIAL NO.	DOCUMENT NO.	<b>SD-76867-003</b>																		
	SIZE C	THIS DRAWING CONTAINS INFORMATION THAT IS PROPRIETARY TO MOLEX INCORPORATED AND SHOULD NOT BE USED WITHOUT WRITTEN PERMISSION																			



SEE SHEET 1 EC NO: UCP2013-1619 DRAWN BY: INGHAM 2012/10/25 CHKD: APPR: TMCLELL 2012/10/29 REV: B8	QUALITY SYMBOLS ▼=0 ▽=0	GENERAL TOLERANCES (UNLESS SPECIFIED) <table border="1"> <thead> <tr> <th></th> <th>mm</th> <th>INCH</th> </tr> </thead> <tbody> <tr> <td>4 PLACES</td> <td>± ---</td> <td>± ---</td> </tr> <tr> <td>3 PLACES</td> <td>± ---</td> <td>± .005</td> </tr> <tr> <td>2 PLACES</td> <td>± 0.13</td> <td>± .010</td> </tr> <tr> <td>1 PLACE</td> <td>± 0.25</td> <td>± ---</td> </tr> </tbody> </table> ANGULAR ±1/2°		mm	INCH	4 PLACES	± ---	± ---	3 PLACES	± ---	± .005	2 PLACES	± 0.13	± .010	1 PLACE	± 0.25	± ---	DIMENSION STYLE <b>MM ONLY</b> DRAWN BY: KLANG DATE: 2009/05/15 CHECKED BY: _____ DATE: _____	SCALE <b>8:1</b> DESIGN UNITS <b>METRIC</b> THIRD ANGLE PROJECTION	TITLE <b>IPASS PLUS HD                  1X4 ASSEMBLY                  INTERNAL</b>
		mm	INCH																	
	4 PLACES	± ---	± ---																	
	3 PLACES	± ---	± .005																	
2 PLACES	± 0.13	± .010																		
1 PLACE	± 0.25	± ---																		
DRAFT WHERE APPLICABLE MUST REMAIN WITHIN DIMENSIONS	APPROVED BY: MBANAK I S DATE: 2010/11/17 MATERIAL NO.	MOLEX <b>MOLEX INCORPORATED</b>	SHEET NO. <b>3 OF 4</b>																	
SEE CHART THIS DRAWING CONTAINS INFORMATION THAT IS PROPRIETARY TO MOLEX INCORPORATED AND SHOULD NOT BE USED WITHOUT WRITTEN PERMISSION	DOCUMENT NO. <b>SD-76867-003</b>																			



NOTES:

1. 0.05 MINIMUM KEEP OUT FOR SOLDER MASK AROUND ALL PADS
2. DATUM D TARGETS ARE DEFINED BY THE RESPECTIVE PAD CENTER LINES AND THE LEADING EDGE OF THE TARGET PADS

SEE SHEET 1	QUALITY SYMBOLS
EC NO: UCP2013-1619	▽=0
DRW:KINGHAM 2012/10/25	▽=0
CHKD:	
APPR:TMCCLELL 2012/10/29	
REV	DESCRIPTION
B8	

GENERAL TOLERANCES (UNLESS SPECIFIED)	
	mm INCH
4 PLACES ±	±
3 PLACES ±	±.005
2 PLACES ±	±.010
1 PLACE ±	±
ANGULAR ±1/2°	
DRAFT WHERE APPLICABLE MUST REMAIN WITHIN DIMENSIONS	

DIMENSION STYLE	
MM ONLY	
DRAWN BY	DATE
KLANG	2009/05/15
CHECKED BY	DATE
APPROVED BY	DATE
MBANAK I S	2010/11/17
MATERIAL NO.	
SEE CHART	
SIZE	
C	

SCALE	DESIGN UNITS	THIRD ANGLE PROJECTION
8:1	METRIC	
TITLE		
IPASS PLUS HD 1X4 ASSEMBLY INTERNAL		
MOLEX INCORPORATED		SHEET NO.
DOCUMENT NO.		4 OF 4
THIS DRAWING CONTAINS INFORMATION THAT IS PROPRIETARY TO MOLEX INCORPORATED AND SHOULD NOT BE USED WITHOUT WRITTEN PERMISSION		