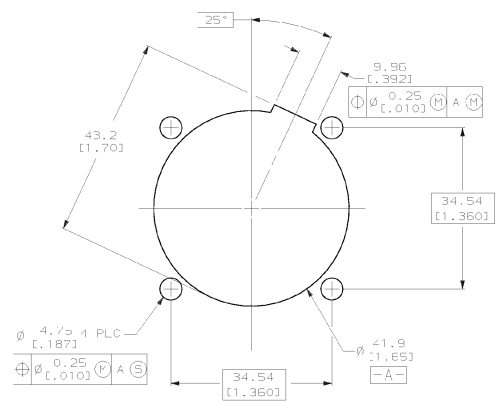
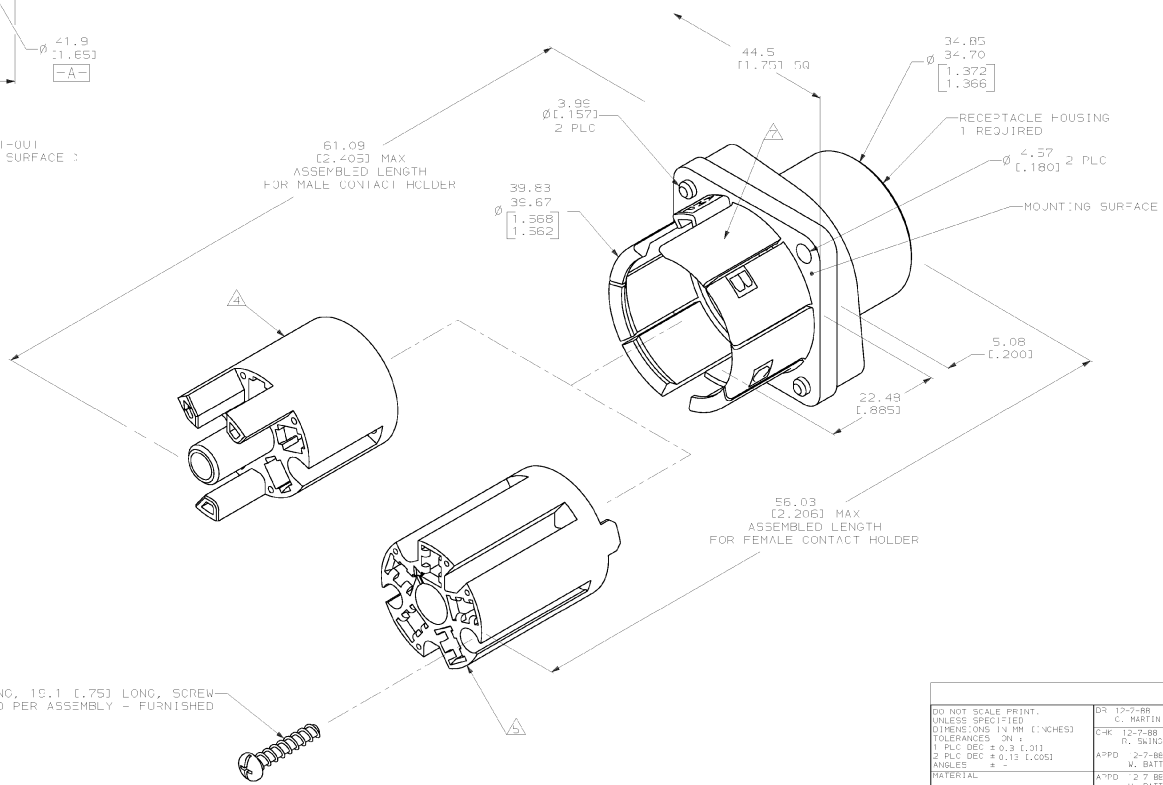


REV	DATE	DESCRIPTION	APPD
CM 53		REVISED PER EC 0638-0112-99	21-OCT-99



RECOMMENDED PANEL CUT-OUT
 (AS VIEWED FROM MOUNTING SURFACE)



- ALL PARTS REQUIRED PER ASSEMBLY UNLESS OTHERWISE SPECIFIED.
- MATERIAL: THERMOPLASTIC POLYESTER, BLACK
- BASED ON 4mm DIAMETER SCREWS. IF CUSTOMER USES A LARGER SCREW, THE 4.75 [0.187] DIAMETERS FOR THE SCREWS SHOULD BE INCREASED APPROPRIATELY.
- MALE CONTACT HOLDER, 1 REQUIRED.
- FEMALE CONTACT HOLDER, 1 REQUIRED.
- DIMENSIONS IN BRACKETS ARE IN INCHES.
- UNDERWRITERS RECOGNITION COMPONENT MARK AND CSA CERTIFICATION MARK LOCATED ON EACH IN INDICATED AREA.

770497-2	
770497-1	
PART NO	

DO NOT SCALE PRINT. UNLESS SPECIFIED DIMENSIONS IN MM (INCHES) TOLERANCES: 24: 1 PLC DEC ± 0.3 [0.01] 2 PLC DEC ± 0.15 [0.005] ANGLE ± 0.5°	DR 12-7-BB C. MARTIN CHK 12-7-BB D. SWING APPD 2-7-BB W. BATTY	AMP AMP INCORPORATED Manufacturing, No. 1108 NAME RECEPTACLE ASSEMBLY KIT, 5 CIRCUIT, MULTIPIN CIRCULAR POWER CONNECTOR
MATERIAL: THERMOPLASTIC POLYESTER, BLACK	APPLICATION SPEC: - PRODUCT SPEC: -	
FINISH: -	SCALE: 2:1	SIZE: D PCH NO: C0779 DRAWING NO: 770497 SHEET: 1 OF 1



CUSTOMER DRAWING