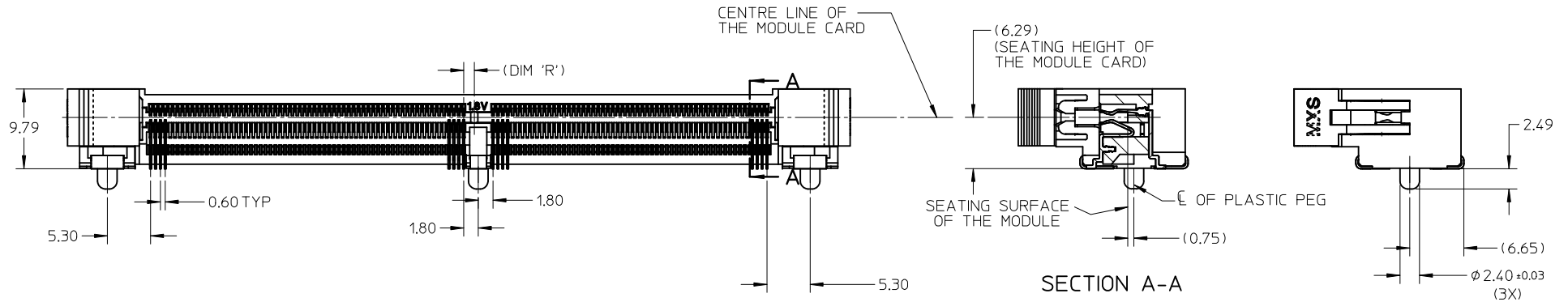


NOTES :

- MATERIAL :
HOUSING : HIGH TEMPERATURE LIQUID CRYSTAL POLYMER, UL94V-0
COLOUR : BLACK
CONTACTS : COPPER ALLOY
LATCHES : HIGH TEMPERATURE NYLON, UL94V-0,
COLOUR : NATURAL (OFF-WHITE)
- FINISH :
CONTACT AREA : 0.76 MICROMETER (30 MICROINCH) MIN GOLD OVER
1.25 MICROMETER (50 MICROINCH) MIN NICKEL
SOLDER LEADS : 2.54 MICROMETER (100 MICROINCH) MIN TIN OVER
1.25MICROMETER (50 MICROINCH) MIN NICKEL
- ACCEPTS 1.0 mm THICK MEMORY MODULE PER JEDEC MO-244
FOR 244 CKTS AND MO-258 FOR 200 CKTS.
- PRODUCT SPECIFICATION : PS-78001-001
- PACKAGING SPECIFICATION: PRODUCT SHALL BE PACKED IN TRAY.
PLS REFER TO SHEET 4.

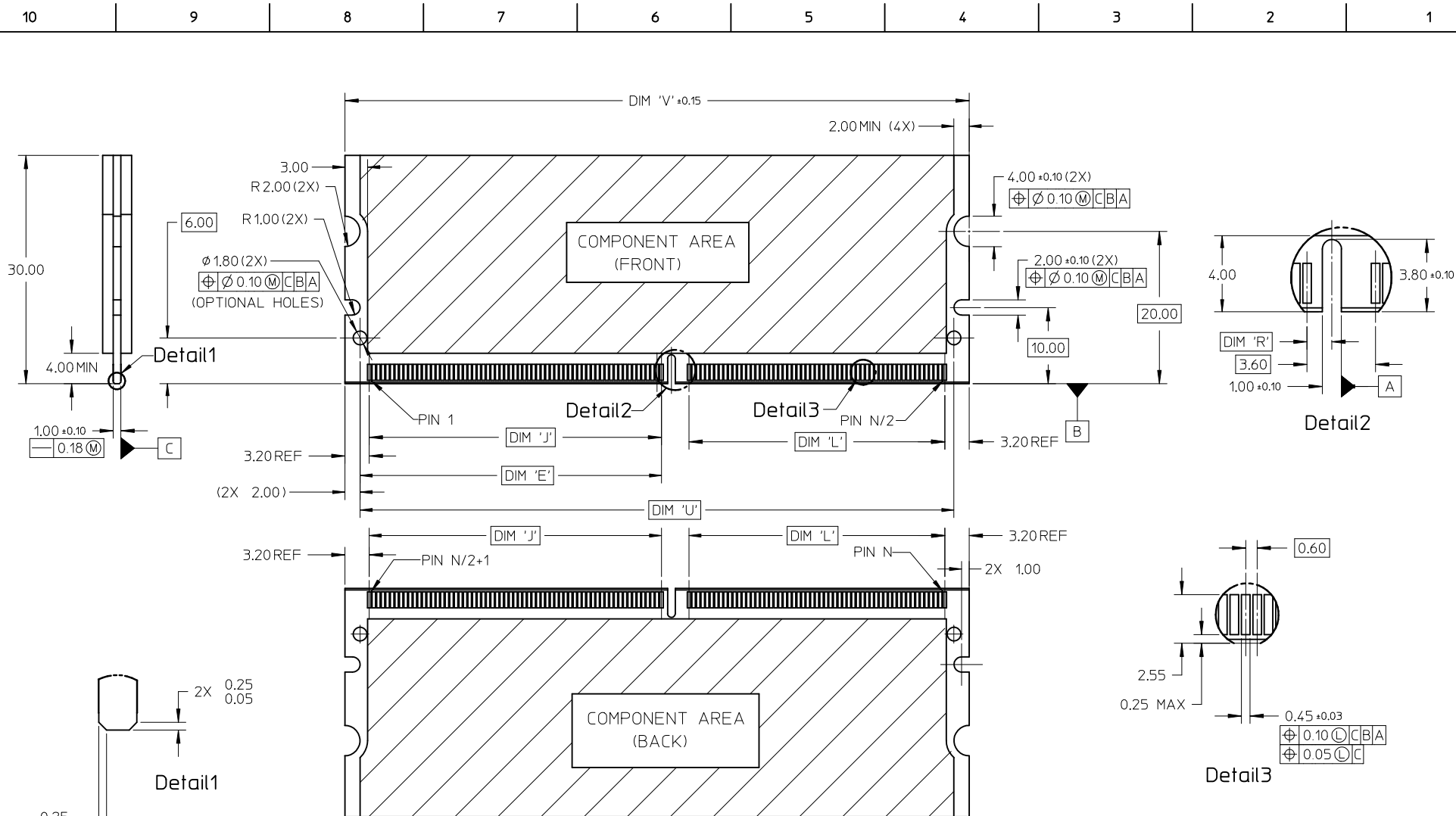
△6 DATE CODE SHALL BE MARKED LEGIBLY AS SHOWN :YYDDD

△7 PART NUMBER SHALL BE MARKED LEGIBLY AS SHOWN.
78001-XXXX (REFER TO TABLE)

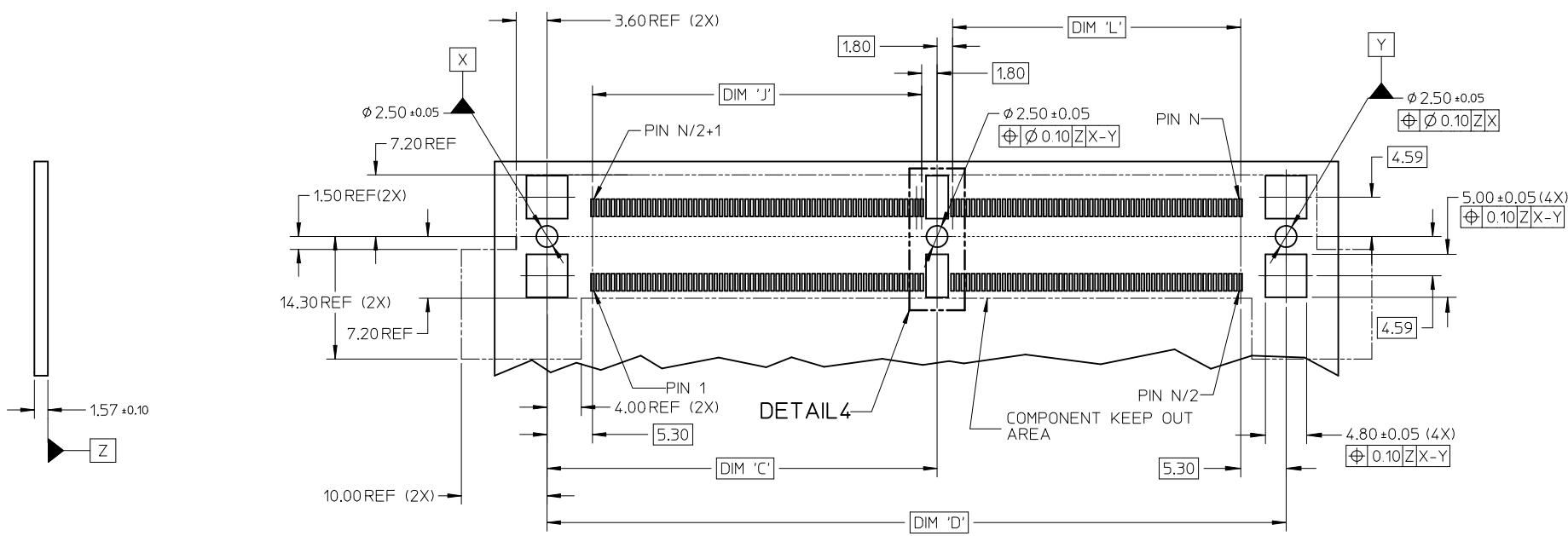


SECTION A-A

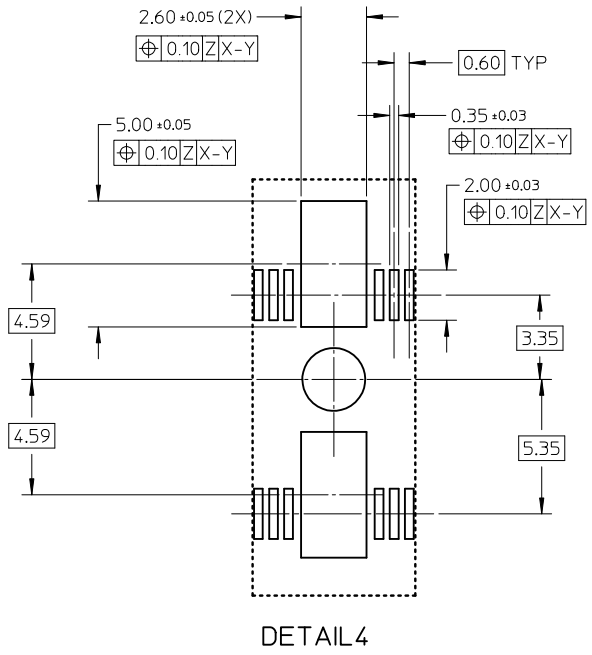
ADDED PKG SPEC EC NO: S2012-0054 DRWN: JAKEEW 2011/07/15 CHKD: CCTE 2011/08/03 APPR: SHLENI 2011/08/23	DESCRIPTION B2	QUALITY SYMBOLS	GENERAL TOLERANCES (UNLESS SPECIFIED)		DIMENSION STYLE MM ONLY		SCALE NTS	DESIGN UNITS METRIC	THIRD ANGLE PROJECTION																																		
		$F_A = 0$ $F_C = 0$ $F_P = 0$	<table border="1"> <tr> <th></th> <th>mm</th> <th>INCH</th> </tr> <tr> <td>4 PLACES</td> <td>± ---</td> <td>± ---</td> </tr> <tr> <td>3 PLACES</td> <td>± ---</td> <td>± ---</td> </tr> <tr> <td>2 PLACES</td> <td>± 0.13</td> <td>± ---</td> </tr> <tr> <td>1 PLACE</td> <td>± 0.25</td> <td>± ---</td> </tr> </table>		mm	INCH	4 PLACES	± ---	± ---	3 PLACES	± ---	± ---	2 PLACES	± 0.13	± ---	1 PLACE	± 0.25	± ---	<table border="1"> <tr> <th>mm</th> <th>INCH</th> </tr> <tr> <td>± ---</td> <td>± ---</td> </tr> <tr> <td>± 0.13</td> <td>± ---</td> </tr> <tr> <td>± 0.25</td> <td>± ---</td> </tr> </table>	mm	INCH	± ---	± ---	± 0.13	± ---	± 0.25	± ---	<table border="1"> <tr> <th>DRAWN BY</th> <th>DATE</th> </tr> <tr> <td>SHLENI</td> <td>2005/03/14</td> </tr> <tr> <th>CHECKED BY</th> <th>DATE</th> </tr> <tr> <td>MLONG</td> <td>2005/03/31</td> </tr> <tr> <th>APPROVED BY</th> <th>DATE</th> </tr> <tr> <td>GGLLEE</td> <td>2005/03/31</td> </tr> </table>	DRAWN BY	DATE	SHLENI	2005/03/14	CHECKED BY	DATE	MLONG	2005/03/31	APPROVED BY	DATE	GGLLEE	2005/03/31	TITLE	MINI DIMM, 0.60MM PITCH 200/244 CKTS REVERSE R/A	
			mm	INCH																																							
		4 PLACES	± ---	± ---																																							
3 PLACES	± ---	± ---																																									
2 PLACES	± 0.13	± ---																																									
1 PLACE	± 0.25	± ---																																									
mm	INCH																																										
± ---	± ---																																										
± 0.13	± ---																																										
± 0.25	± ---																																										
DRAWN BY	DATE																																										
SHLENI	2005/03/14																																										
CHECKED BY	DATE																																										
MLONG	2005/03/31																																										
APPROVED BY	DATE																																										
GGLLEE	2005/03/31																																										
DRAFT WHERE APPLICABLE MUST REMAIN WITHIN DIMENSIONS					MATERIAL NO. SEE TABLE		MOLEX INCORPORATED DOCUMENT NO. SD-78001-003		SHEET NO. 1 OF 4																																		



ADDED PKG SPEC EC NO: S2012-0054 DRWN: JAKEEW 2011/07/15 CHKD: CCTEH 2011/08/03 APPR: SHLENI 2011/08/23 REV B2	QUALITY SYMBOLS $\nabla_A = 0$ $\nabla_B = 0$ $\nabla_C = 0$	GENERAL TOLERANCES (UNLESS SPECIFIED)		DIMENSION STYLE MM ONLY	SCALE NTS	DESIGN UNITS METRIC	THIRD ANGLE PROJECTION		
		4 PLACES ± --- ± --- 3 PLACES ± --- ± --- 2 PLACES ± 0.13 ± --- 1 PLACE ± 0.25 ± ---	mm INCH ± --- ± --- ± 0.13 ± --- ± 0.25 ± ---	DRAWN BY SHLENI	DATE 2005/03/14	TITLE MINI DIMM, 0.60MM PITCH 200/244 CKTS REVERSE R/A			
		ANGULAR ± 1 °		CHECKED BY MLONG	DATE 2005/03/31	MOLEX INCORPORATED			
		DRAFT WHERE APPLICABLE MUST REMAIN WITHIN DIMENSIONS		APPROVED BY GGLEE	DATE 2005/03/31	MATERIAL NO. SEE TABLE	DOCUMENT NO. SD-78001-003	SHEET NO. 2 OF 4	



RECOMMENDED PCB LAYOUT



DETAIL 4

ADDED PKG SPEC EC NO: S2012-0054 DRWN: JAKEEW 2011/07/15 CHKD: CCTH 2011/08/03 APPR: SHLENI 2011/08/23	QUALITY SYMBOLS $F_A=0$ $F_G=0$ $F_P=0$	GENERAL TOLERANCES (UNLESS SPECIFIED)		DIMENSION STYLE		SCALE	DESIGN UNITS	THIRD ANGLE PROJECTION		
				MM ONLY		NTS	METRIC			
			mm	INCH	DRAWN BY	DATE	TITLE			
		4 PLACES	\pm ---	\pm ---	SHLENI	2005/03/14	MINI DIMM, 0.60MM PITCH			
3 PLACES	\pm ---	\pm ---	CHECKED BY	DATE	200/244 CKTS					
2 PLACES	± 0.13	\pm ---	MLONG	2005/03/31	REVERSE R/A					
1 PLACE	± 0.25	\pm ---	APPROVED BY	DATE	MOLEX INCORPORATED					
ANGULAR $\pm 1^\circ$			GGLEE	2005/03/31						
DRAFT WHERE APPLICABLE MUST REMAIN WITHIN DIMENSIONS		SEE TABLE		MATERIAL NO.		DOCUMENT NO.		SHEET NO.		
				A3		SD-78001-003		3 OF 4		
THIS DRAWING CONTAINS INFORMATION THAT IS PROPRIETARY TO MOLEX INCORPORATED AND SHOULD NOT BE USED WITHOUT WRITTEN PERMISSION										

ASSEMBLY P/N	CKT SIZE "N"	MODULE CARD	VOLTAGE KEY	DIM 'R'	DIM 'E'	DIM 'J'	DIM 'L'	DIM 'A'	DIM 'S'	DIM 'T'	DIM 'U'	DIM 'V'	DIM 'C'	DIM 'D'	DIM 'B'	PACKAGING SPECIFICATION
78001-1200	200	DDR2	1.8 V	1.30	24.60	23.40	35.40	79.8	82.8	93.0	64.80	68.80	30.50	73.00	62.40	PK-78001-001
78001-2200		DDR	2.5 V	2.30												
78001-1244	244	DDR2	1.8 V	1.30	39.60	38.40	33.60	93.0	96.0	106.2	78.00	82.00	45.50	86.20	75.60	PK-78001-002
78001-1344		DDR3	1.5 V	2.30												
78001-3244		DDR2	1.8 V	1.30												
78001-3344		DDR3	1.5 V	2.30												

ADDED PKG SPEC EC NO: S2012-0054 DRWN: JAKEEW 2011/07/15 CHKD: CTEH 2011/08/03 APPR: SHLENI 2011/08/23	QUALITY SYMBOLS	GENERAL TOLERANCES (UNLESS SPECIFIED)	DIMENSION STYLE	SCALE	DESIGN UNITS	THIRD ANGLE PROJECTION
	$F_A=0$	mm INCH	MM ONLY	NTS	METRIC	
	$F_C=0$	4 PLACES ± --- ± ---	DRAWN BY DATE	TITLE		
	$F_P=0$	3 PLACES ± --- ± ---	SHLENI 2005/03/14	MINI DIMM, 0.60MM PITCH		
	2 PLACES ± 0.13 ± ---	CHECKED BY DATE	200/244 CKTS			
	1 PLACE ± 0.25 ± ---	MLONG 2005/03/31	REVERSE R/A			
	ANGULAR ± 1 °	APPROVED BY DATE	MOLEX INCORPORATED			
		GGLLEE 2005/03/31	SD-78001-003			
		MATERIAL NO.	SEE TABLE		DOCUMENT NO.	SHEET NO.
			4 OF 4			
		DRAFT WHERE APPLICABLE MUST REMAIN WITHIN DIMENSIONS	THIS DRAWING CONTAINS INFORMATION THAT IS PROPRIETARY TO MOLEX INCORPORATED AND SHOULD NOT BE USED WITHOUT WRITTEN PERMISSION			