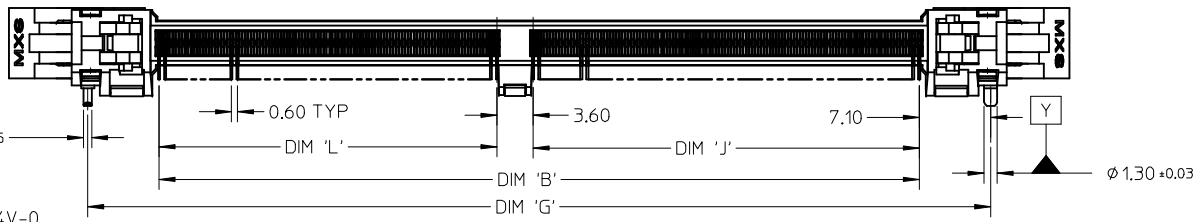


MINIMUM HEIGHT OF SOCKET WITH MODULE CARD HEIGHT OF 30.00MM AND THICKNESS OF 4MM.



- NOTES :
- MATERIAL : HOUSING : HIGH TEMPERATURE LIQUID CRYSTAL POLYMER, UL94V-0
COLOUR : BLACK
CONTACTS : COPPER ALLOY
LATCHES : HIGH TEMPERATURE NYLON, UL94V-0
COLOUR : NATURAL (OFF-WHITE)
COVER : HIGH TEMPERATURE NYLON, UL 94V-0
COLOUR : BLACK

- FINISH
CONTACTS : 0.76 MICROMETER (30 MICROINCH) MIN GOLD OVER
1.25 MICROMETER (50 MICROINCH) MIN NICKEL
SMT TAIL : 2.54 MICROMETER (100 MICROINCH) MIN TIN OVER
1.25 MICROMETER (50 MICROINCH) MIN NICKEL
- ACCEPTS 1.0mm THICK MEMORY MODULE PER JEDEC MO-244 FOR 244 CKTS AND MO-258 FOR 200 CKTS.
- PRODUCT SPECIFICATION : PS-78035-001.
- PACKING SPECIFICATION: SEE TABLE IN SHEET 4.

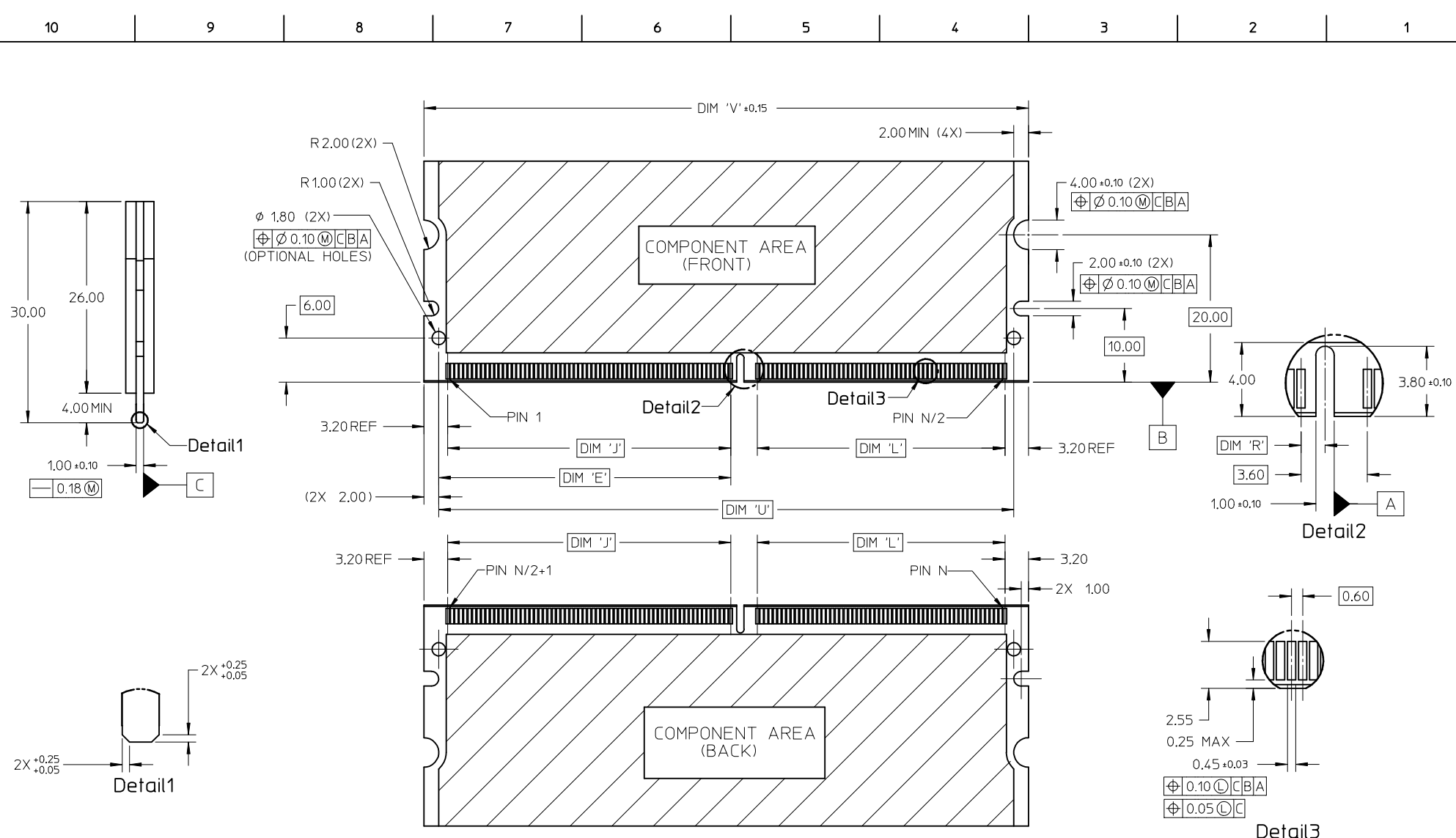
- △ DATE CODE SHALL BE MARKED LEGIBLY AS SHOWN : YY DDD.
- △ PART NUMBER SHALL BE MARKED LEGIBLY AS SHOWN : 78035-XXXX (REFER TO TABLE).

ADD PK NO. EC NO: S2012-0461 DRW:KESOH CHKD:GJAN APPR:SHLENI	2012/08/30	QUALITY SYMBOLS ▽=0 ◻=0
	2012/09/12	
REV	2012/09/18	DESCRIPTION

GENERAL TOLERANCES (UNLESS SPECIFIED)	
mm	INCH
4 PLACES ± ---	± ---
3 PLACES ± ---	± ---
2 PLACES ± 0.13	± ---
1 PLACE ± 0.25	± ---
ANGULAR ± 1 °	
DRAFT WHERE APPLICABLE MUST REMAIN WITHIN DIMENSIONS	

DIMENSION STYLE	
MM ONLY	
DRAWN BY	DATE
YTYANGO1	2005/08/12
CHECKED BY	DATE
SHLENI	2005/08/25
APPROVED BY	DATE
GGLEE	2005/08/25
MATERIAL NO.	
SEE TABLE	
SIZE	
A3	

SCALE	DESIGN UNITS	THIRD ANGLE PROJECTION
NTS	METRIC	
TITLE		
MINI DIMM, 0.60MM PITCH		
200/244 CKTS, REV. ANGLE		
22.5 DEG, SMT		
MOLEX INCORPORATED		
DOCUMENT NO.	SHEET NO.	
SD-78035-001	1 OF 4	
THIS DRAWING CONTAINS INFORMATION THAT IS PROPRIETARY TO MOLEX INCORPORATED AND SHOULD NOT BE USED WITHOUT WRITTEN PERMISSION		



ADD PK NO. EC NO: S2012-0461 DRW:NEKSOH 2012/08/30 CHKD:GJAN 2012/09/12 APPR:SHLENI 2012/09/18 REV	QUALITY SYMBOLS ▽=0 ◻=0	GENERAL TOLERANCES (UNLESS SPECIFIED) <table border="1"> <thead> <tr> <th></th> <th>mm</th> <th>INCH</th> </tr> </thead> <tbody> <tr> <td>4 PLACES</td> <td>± ---</td> <td>± ---</td> </tr> <tr> <td>3 PLACES</td> <td>± ---</td> <td>± ---</td> </tr> <tr> <td>2 PLACES</td> <td>± 0.13</td> <td>± ---</td> </tr> <tr> <td>1 PLACE</td> <td>± 0.25</td> <td>± ---</td> </tr> </tbody> </table>		mm	INCH	4 PLACES	± ---	± ---	3 PLACES	± ---	± ---	2 PLACES	± 0.13	± ---	1 PLACE	± 0.25	± ---	DIMENSION STYLE MM ONLY	SCALE NTS	DESIGN UNITS METRIC	THIRD ANGLE PROJECTION
		mm	INCH																		
	4 PLACES	± ---	± ---																		
	3 PLACES	± ---	± ---																		
2 PLACES	± 0.13	± ---																			
1 PLACE	± 0.25	± ---																			
		<table border="1"> <thead> <tr> <th>DRAWN BY</th> <th>DATE</th> <th>TITLE</th> </tr> </thead> <tbody> <tr> <td>YTYANG01</td> <td>2005/08/12</td> <td rowspan="4"> MINI DIMM, 0.60MM PITCH 200/244 CKTS, REV. ANGLE 22.5 DEG, SMT </td> </tr> <tr> <td>CHECKED BY</td> <td>DATE</td> </tr> <tr> <td>SHLENI</td> <td>2005/08/25</td> </tr> <tr> <td>APPROVED BY</td> <td>DATE</td> </tr> </tbody> </table>	DRAWN BY	DATE	TITLE	YTYANG01	2005/08/12	MINI DIMM, 0.60MM PITCH 200/244 CKTS, REV. ANGLE 22.5 DEG, SMT	CHECKED BY	DATE	SHLENI	2005/08/25	APPROVED BY	DATE	MOLEX INCORPORATED						
DRAWN BY	DATE	TITLE																			
YTYANG01	2005/08/12	MINI DIMM, 0.60MM PITCH 200/244 CKTS, REV. ANGLE 22.5 DEG, SMT																			
CHECKED BY	DATE																				
SHLENI	2005/08/25																				
APPROVED BY	DATE																				
		ANGULAR ± 1 °	SEE TABLE	DOCUMENT NO. SD-78035-001	SHEET NO. 2 OF 4																
		DRAFT WHERE APPLICABLE MUST REMAIN WITHIN DIMENSIONS	SIZE A3	THIS DRAWING CONTAINS INFORMATION THAT IS PROPRIETARY TO MOLEX INCORPORATED AND SHOULD NOT BE USED WITHOUT WRITTEN PERMISSION																	

10 9 8 7 6 5 4 3 2 1

F

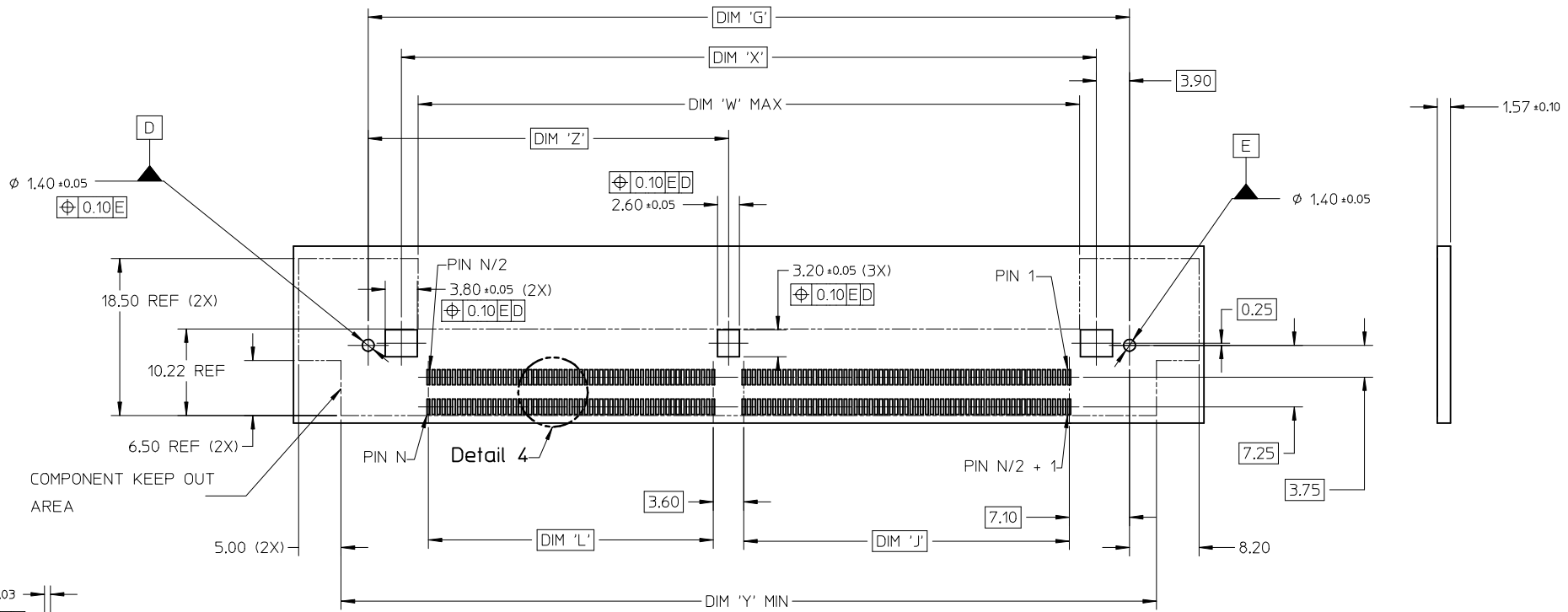
E

D

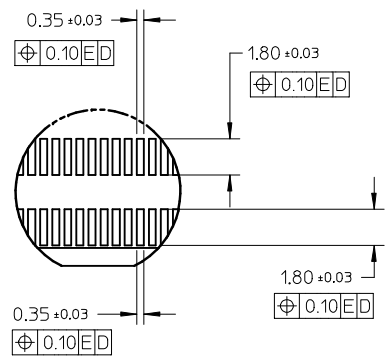
C

B

A



RECOMMENDED PCB LAYOUT

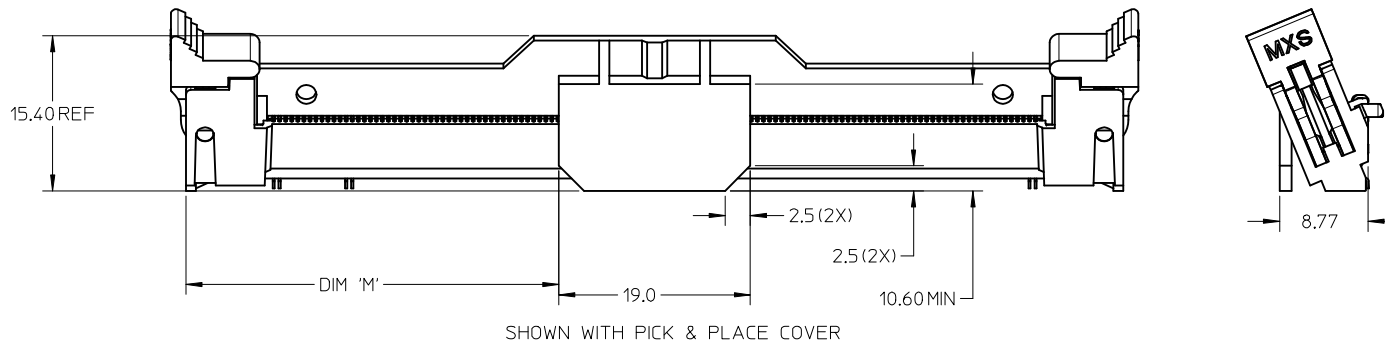


Detail 4

ADD PK NO. EC NO: S2012-0461 DRW: KEKSOH CHKD: CGTAN APPR: SHLENI	REV 2012/08/30 2012/09/12 2012/09/18	DESCRIPTION DESCRIPTION DESCRIPTION DESCRIPTION	QUALITY SYMBOLS ▽=0 Ⓢ=0	GENERAL TOLERANCES (UNLESS SPECIFIED)		DIMENSION STYLE MM ONLY		SCALE NTS	DESIGN UNITS METRIC	THIRD ANGLE PROJECTION		
DRAFT WHERE APPLICABLE MUST REMAIN WITHIN DIMENSIONS				ANGULAR ± 1 °		DRAWN BY YTYANG01		DATE 2005/08/12		TITLE MINI DIMM, 0.60MM PITCH 200/244 CKTS, REV. ANGLE 22.5 DEG, SMT		
						CHECKED BY SHLENI		DATE 2005/08/25				
						APPROVED BY GGLEE		DATE 2005/08/25		MOLEX INCORPORATED		
						MATERIAL NO. SEE TABLE		DOCUMENT NO. SD-78035-001				
						SIZE A3		THIS DRAWING CONTAINS INFORMATION THAT IS PROPRIETARY TO MOLEX INCORPORATED AND SHOULD NOT BE USED WITHOUT WRITTEN PERMISSION		SHEET NO. 3 OF 4		

9 8 7 6 5 4 3 2 1

10 9 8 7 6 5 4 3 2 1



CKT SIZE 'N'	PART NUMBER	MODULE CARD	VOLTAGE KEY	DIM 'R'	DIM 'E'	DIM 'J'	DIM 'L'	DIM 'M'	DIM 'P'	DIM 'G'	DIM 'S'	DIM 'T'	DIM 'U'	DIM 'V'	DIM 'W'	DIM 'X'	DIM 'Y'	DIM 'Z'	DIM 'A'	DIM 'B'	TRAY P/N PACKAGING SPEC
244	78035-0001	DDR2	1.8 V	1.30	39.60	38.40	33.60	37.0	79.0	89.80	96.0	106.20	78.00	82.00	78.0	82.00	96.20	42.50	93.0	75.60	89990-8198 89990-8199 PK-78035-001
	78035-0301	DDR3	1.5 V	2.30																	78888-8026 PK-78035-003 (HARDTRAY)
	78035-6301																				
200	78035-0201	DDR2	1.8 V	1.30	24.60	23.40	35.40	30.40	65.8	76.60	82.8	93.00	64.80	68.80	64.8	68.80	83.00	44.30	79.8	62.40	89990-8196 89990-8197 PK-78035-002
	78035-0202	DDR	2.5 V	2.30																	

ADD PK NO. EC NO: S2012-0461 DRW: KEKSOH CHKD: CGTAN APPR: SHLENI 2012/08/30 2012/09/12 2012/09/18	QUALITY SYMBOLS	GENERAL TOLERANCES (UNLESS SPECIFIED)	DIMENSION STYLE	SCALE	DESIGN UNITS	THIRD ANGLE PROJECTION	
	▽=0 □=0	mm INCH 4 PLACES ± --- ± --- 3 PLACES ± --- ± --- 2 PLACES ± 0.13 ± --- 1 PLACE ± 0.25 ± --- ANGULAR ± 1 °	MM ONLY	NTS	METRIC		
	DRAWN BY: YTYANG01 DATE: 2005/08/12 CHECKED BY: SHLENI DATE: 2005/08/25 APPROVED BY: GGLEE DATE: 2005/08/25	DRAFT WHERE APPLICABLE MUST REMAIN WITHIN DIMENSIONS		TITLE: MINI DIMM, 0.60MM PITCH 200/244 CKTS, REV. ANGLE 22.5 DEG, SMT		MOLEX INCORPORATED	
	MATERIAL NO. SEE TABLE	SIZE: A3		DOCUMENT NO. SD-78035-001		SHEET NO. 4 OF 4	

THIS DRAWING CONTAINS INFORMATION THAT IS PROPRIETARY TO MOLEX INCORPORATED AND SHOULD NOT BE USED WITHOUT WRITTEN PERMISSION

9 8 7 6 5 4 3 2 1