

# MICRO SWITCH

FREEPORT ILLINOIS U S A  
A DIVISION OF HONEYWELL  
FED. MFG. CODE 91929

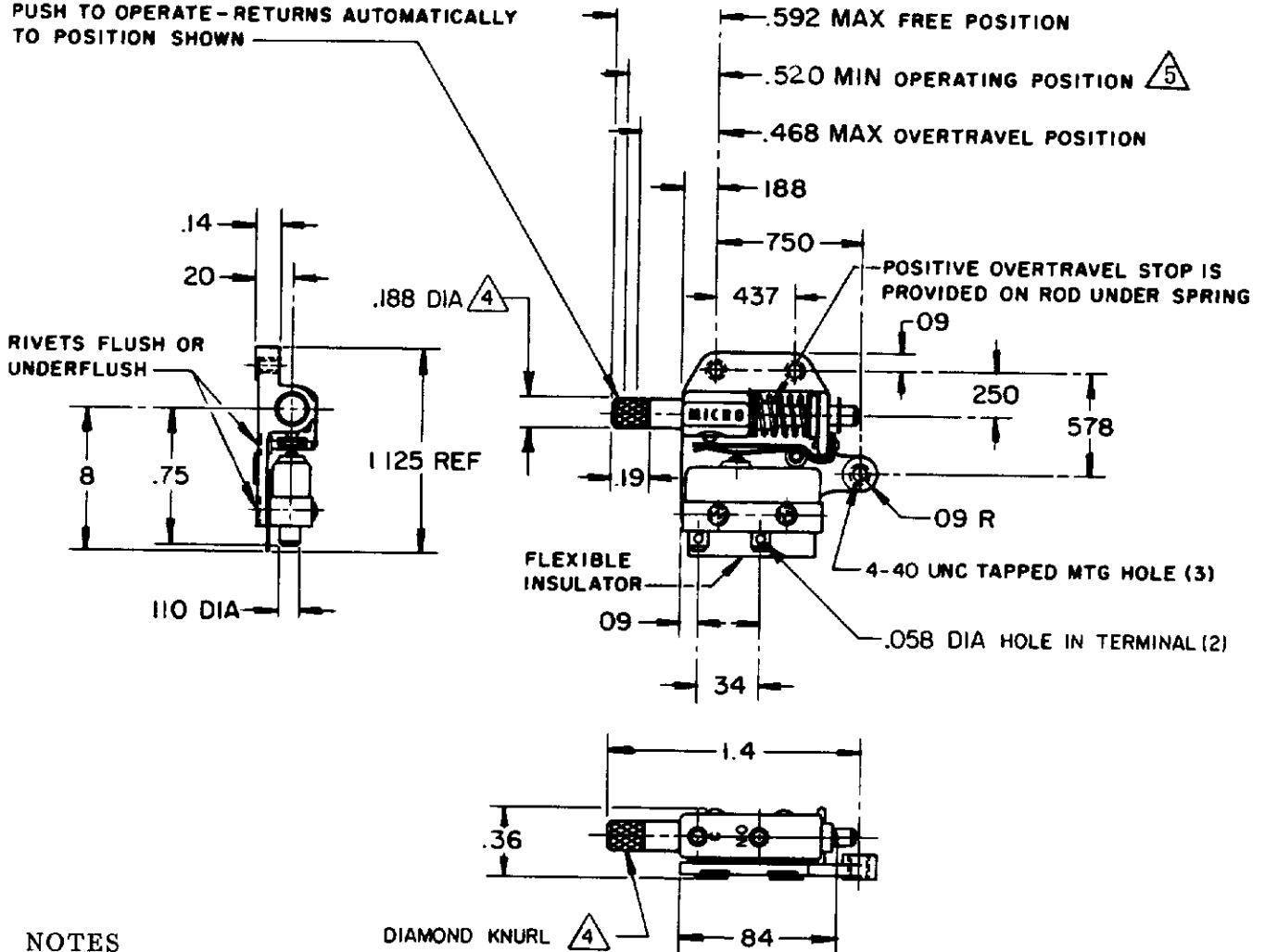
## ASSEMBLY-SWITCH

CATALOG LISTING

### 7AC12

FD-52848-A DRAWN R J H 14 DEC 82 CHECK C E B 15 DEC 82 CHECK 82  
 RELEASE NO PR-11795-T  
 DRAWING NUMBER M X 2  
 ISSUE  
 REVISIONS  
 A C082034  
 J J A  
 7 NOV 95

PUSH TO OPERATE - RETURNS AUTOMATICALLY TO POSITION SHOWN



#### NOTES

- 1 - SWITCH WILL WITHSTAND 185°F
- 2 - UNIT INCLUDES CATALOG LISTING 1SM850 BASIC SWITCH (1)
- 3 - TERMINALS ARE PLATED FOR SOLDERING
- 4 - .204 MAX DIA OVER KNURL
- 5 - PER NORTHRUP GRUMMAN CORPORATION THE 7AC12 PASSED A 20G SINUSOIDAL VIBRATION TEST (TEST REPORT #L-2578) DESCRIBED BY MIL-STD-202, METHOD 204, TEST CONDITION D AND 093-003712

THIS DRAWING COVERS A PROPRIETARY ITEM AND IS THE PROPERTY OF MICRO SWITCH, A DIVISION OF HONEYWELL. THIS DRAWING IS NOT TO BE COPIED OR USED WITHOUT THE APPROVAL OF MICRO SWITCH.

THIRD ANGLE PROJECTION

#### CHARACTERISTICS

TOTAL TRAVEL  
156 APPROX PUSH DIRECTION

OVERTRAVEL ----- 090 MIN

OPERATING FORCE AND FULLY DEPRESSED FORCE  
5 LB MAX

#### ELECTRICAL DATA

CONTACT ARRANGEMENT  
S P N O

125 VAC ----- 1 AMP

30 VOLTS DC RATING

INDUCTIVE ----- SEA LEVEL - 1/2 AMP  
50,000 FT - 1/2 AMP

RESISTIVE ----- SEA LEVEL - 1 AMP  
50,000 FT - 1 AMP

MAXIMUM INRUSH ----- 2 AMP

SCALE FULL

DO NOT SCALE PRINT

TOLERANCES  
APPLY TO DESIGN UNITS. CONVERSIONS ARE ONLY FOR REFERENCE UNLESS NOTED TOLERANCES ARE ±

	DIM mm	TOL mm/in	DIM in	TOL mm/in
NO PLACES	X	1/64	X	0.005
ONE PLACE	X X	0.4/0.16	X X	0.38/0.15
TWO PLACES	X XX	0.15/0.06	X XX	0.13/0.05
THREE PLACES	X XXX		X XXX	
ANGLES				

DESIGN UNITS  SI METRIC  US CUSTOMARY

WEIGHT