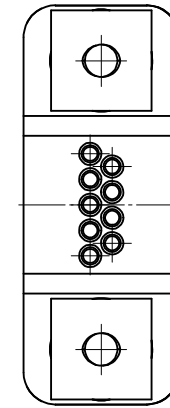
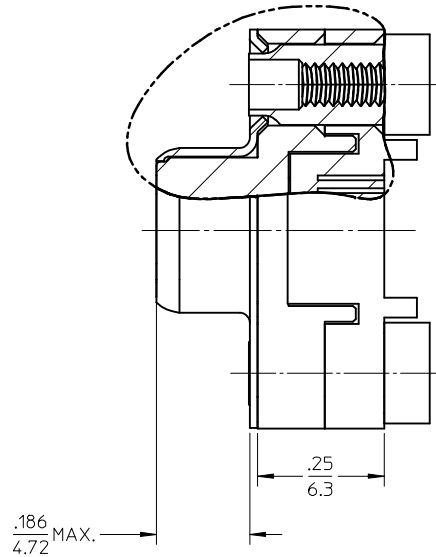
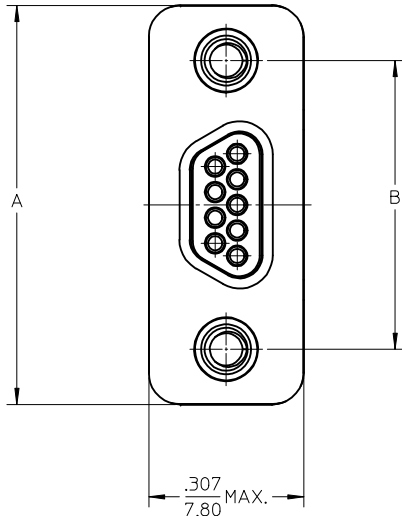


MATERIAL NO.	ENGINEERING NO.	SIZE	A	B
834119110	83411-9110	9	.783	.565
834129019	83412-9019	15	.933	.715
834149021	83414-9021	25	1.183	.965



SIZE 9 SHOWN

SALES DRAWING

- MARKING: NONE
- TO BE USED WITH 830000110 CONTACT (LOOSE PIECE)  
830009558 CONTACT (2.5K REEL)  
830009559 CONTACT (50K REEL)

<b>REDRAWN</b> EC NO: WNA2008-0145 DRWNR: RUPERT 2008/10/17 CHKD: APPR: J. MURPHY 2008/11/12	QUALITY SYMBOLS	GENERAL TOLERANCES (UNLESS SPECIFIED)	DIMENSION STYLE	SCALE	DESIGN UNITS	THIRD ANGLE PROJECTION																		
	$\nabla = 0$ $\nabla C = 0$	<table border="1"> <thead> <tr> <th></th> <th>mm</th> <th>INCH</th> </tr> </thead> <tbody> <tr> <td>4 PLACES</td> <td>± ---</td> <td>± ---</td> </tr> <tr> <td>3 PLACES</td> <td>± ---</td> <td>± .005</td> </tr> <tr> <td>2 PLACES</td> <td>± 0.13</td> <td>± .01</td> </tr> <tr> <td>1 PLACE</td> <td>± 0.25</td> <td>± ---</td> </tr> <tr> <td colspan="3">ANGULAR ± 1/2°</td> </tr> </tbody> </table>		mm	INCH	4 PLACES	± ---	± ---	3 PLACES	± ---	± .005	2 PLACES	± 0.13	± .01	1 PLACE	± 0.25	± ---	ANGULAR ± 1/2°			IN/MM	4:1	INCH	
		mm	INCH																					
	4 PLACES	± ---	± ---																					
3 PLACES	± ---	± .005																						
2 PLACES	± 0.13	± .01																						
1 PLACE	± 0.25	± ---																						
ANGULAR ± 1/2°																								
DESCRIPTION	DRAWN BY	DATE	TITLE																					
	JLOMASTR	04/10/13	COMMERCIAL MICRO D PIN ASS'Y CRIMP AND POKE SIZE 9, 15, 25																					
	RDEROSS	04/10/14	MOLEX INCORPORATED																					
	RDEROSS	04/10/15	SD-83411-006																					
	MATERIAL NO.	DOCUMENT NO.	SHEET NO.																					
			1 OF 1																					
	DRAFT WHERE APPLICABLE MUST REMAIN WITHIN DIMENSIONS	SEE CHART	THIS DRAWING CONTAINS INFORMATION THAT IS PROPRIETARY TO MOLEX INCORPORATED AND SHOULD NOT BE USED WITHOUT WRITTEN PERMISSION																					