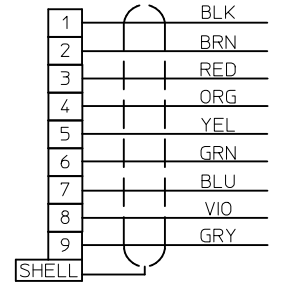
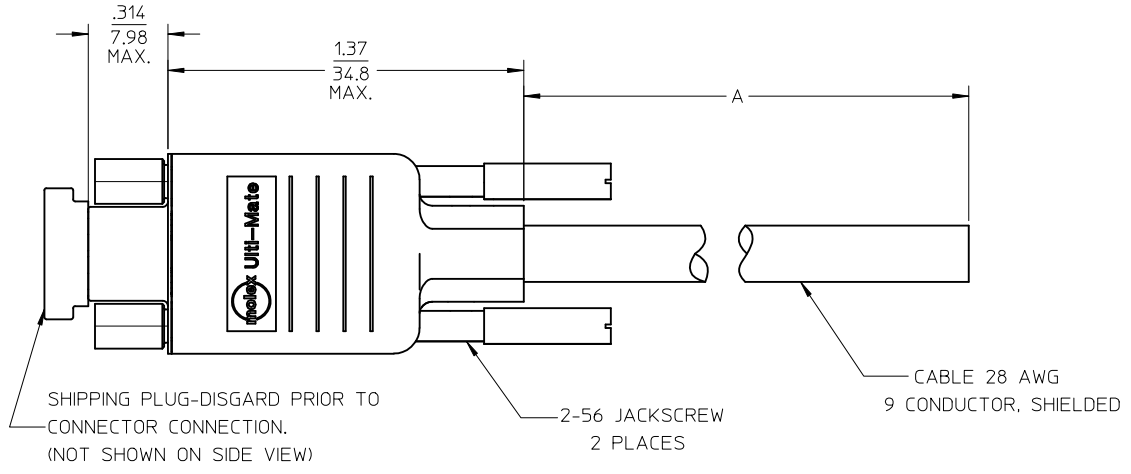
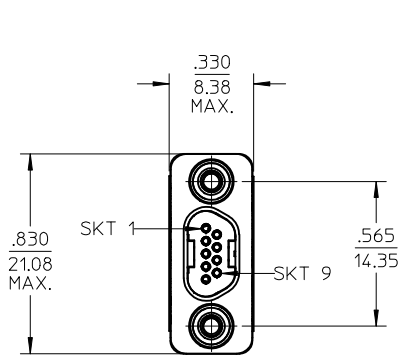


PART NUMBER	A (inch)
834219023	4.5"
834219042	18.5"
834219043	36.5"
834219044	72.5"
834219060	300.0"

(F)



NOTES:

- 1) OVERMOLD ASSEMBLY
- 2) CABLE LENGTH TOLERANCE = -0/+ .25" PER FOOT
- 2) RoHS COMPLIANT

<b>ADD PART NUM.</b> EC NO: WNA2010-0499 DRWN: BRUPERT 2010/02/10 CHKD: 2010/02/24 APPR: JFMURPHY 2010/02/24	<b>QUALITY SYMBOLS</b> = 0 = 0.01	<b>GENERAL TOLERANCES (UNLESS SPECIFIED)</b>		<b>DIMENSION STYLE</b> IN/MM		<b>SCALE</b> 2:1	<b>DESIGN UNITS</b> INCH	<b>THIRD ANGLE PROJECTION</b>	
		4 PLACES ± --- ± ---	DRAWN BY O. URBACH	DATE 2AUG99	<b>TITLE</b> CMD CONNECTOR ASSEMBLY 9 CIRCUIT				
		3 PLACES ± --- ± .005	CHECKED BY F. VAN WYK	DATE					
		2 PLACES ± --- ± .01	APPROVED BY JFMURPHY	DATE 2010/02/24	<b>MOLEX INCORPORATED</b>				
1 PLACE ± --- ± ---	MATERIAL NO.	DOCUMENT NO.	SHEET NO.						
DRAFT WHERE APPLICABLE MUST REMAIN WITHIN DIMENSIONS		SEE CHART		SD-83421-9023		1 OF 1			
		SIZE A3		THIS DRAWING CONTAINS INFORMATION THAT IS PROPRIETARY TO MOLEX INCORPORATED AND SHOULD NOT BE USED WITHOUT WRITTEN PERMISSION					