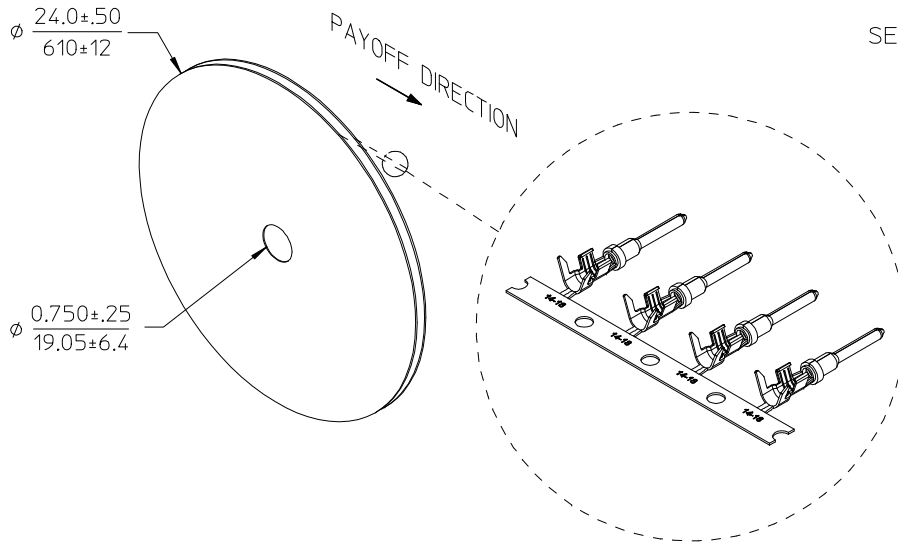
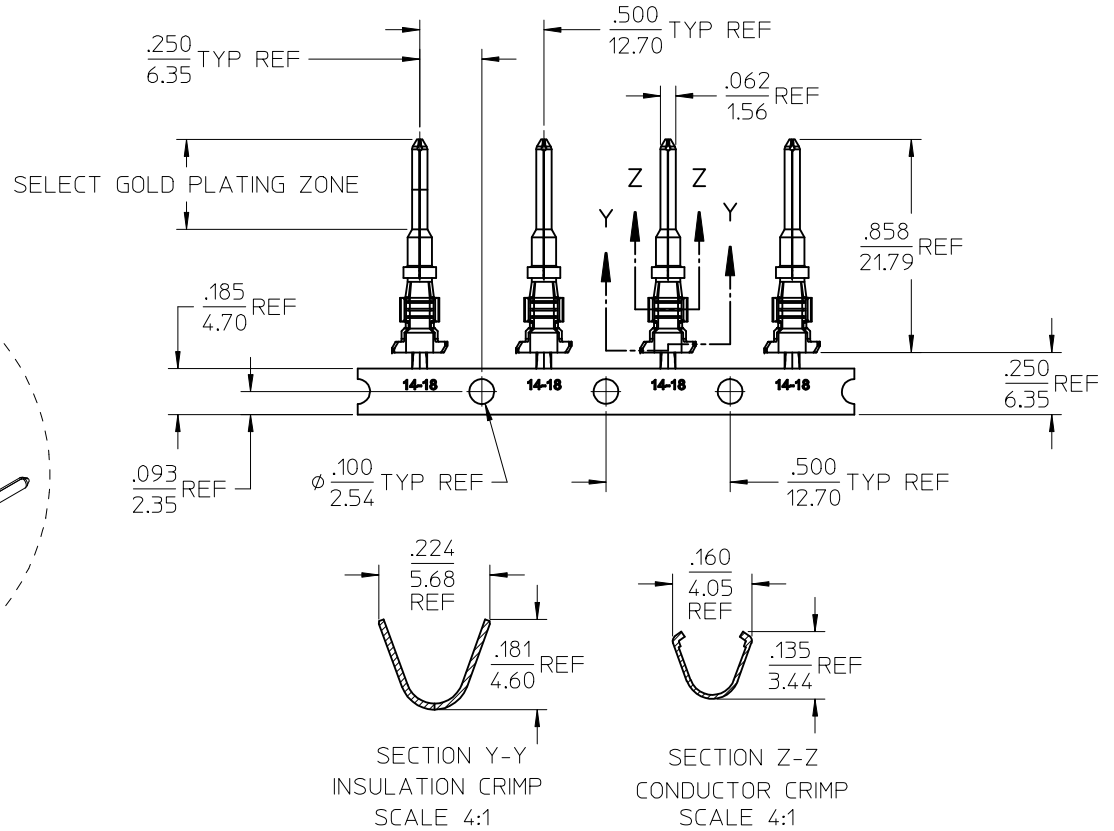


STRIP MATERIAL NUMBER	FINISH
84524-0012	OVERALL NICKEL 80μ" MINIMUM
84524-0018	SELECTIVE HARD GOLD 30μ" MINIMUM OVER NICKEL 50μ" MINIMUM



WIRE INSULATION O.D. RANGE $\frac{.095-.150}{2.41-3.81}$



- NOTES:
1. MATERIAL: COPPER ALLOY .0118/0.300 THICK.
 2. FINISH: SEE CHART.
 3. STRIP PARTS ARE REELED 3000 PARTS PER REEL AS SHOWN ABOVE.
 4. TERMINAL FOR USE ON XRC CONNECTOR ASSEMBLIES.
 5. ALL MATERIALS AND FINISHES ARE ROHS COMPLIANT.
 6. TERMINALS COMPLY WITH SECTION 5.3.2 OF THE SAE J1939-11 STANDARD FOR SURFACE VEHICLE RECOMMENDED PRACTICE.

ADD NOTE 6 & UPDATE OD EC NO: IPG2013-1752 DR: M. W. LEUNG 2013/06/06 CHK: K. JOZWIK 2013/06/07 APPR: J. MURPHY 2013/06/20 REV:	QUALITY SYMBOLS	GENERAL TOLERANCES (UNLESS SPECIFIED)	DIMENSION STYLE	SCALE	DESIGN UNITS	THIRD ANGLE PROJECTION
	$\nabla=0$ $\nabla=0$	mm INCH 4 PLACES ± --- ± --- 3 PLACES ± --- ± .005 2 PLACES ± .13 ± --- 1 PLACE ± --- ± --- ANGULAR ± ---°	IN/MM	2:1	INCH	
		DRAFT WHERE APPLICABLE MUST REMAIN WITHIN DIMENSIONS	DRAWN BY DATE MODELL 2009/04/15 CHECKED BY DATE RDEROSS 2009/04/15 APPROVED BY DATE DTITUS 2010/10/13	TITLE	XRC PIN TERMINAL 14-18AWG .095-.150" WIRE DIA.	
			MATERIAL NO. SEE CHART SIZE B THIS DRAWING CONTAINS INFORMATION THAT IS PROPRIETARY TO MOLEX INCORPORATED AND SHOULD NOT BE USED WITHOUT WRITTEN PERMISSION	MOLEX INCORPORATED DOCUMENT NO. SD-84524-003	SHEET NO. 1 OF 1	