

ASSEMBLY NOTES:

1. SLIDE COMPONENTS ONTO CABLE AS SHOWN
REF. ITEMS 1, 2 & 4 ARE PRE-ASSEMBLED
2. CABLE PREP: (SEE SHEET 2)
3. PULL TERMINATED RJ-45 PLUG (#7) INTO PLUG HOLDER (#4)
WITH LOCKING TAB ALIGNED WITH SLOT ON PLUG HOLDER
DEPRESS LOCKING TAB DOWN BEFORE SEATING PLUG
INTO FINAL POSITION
4. INSTALL RETAINER WEDGE (#5) INTO SLOT LOCATED ON
UNDERSIDE OF PLUG HOLDER (#4) SEE DETAIL 1
5. TURN SEAL NUT UNTIL CABLE SEAL IS TIGHT ONTO PLUG HOLDER
AND CABLE JACKET IS SECURELY CLAMPED
6. SLIDE COUPLING RING (#3) INTO POSITION SHOWN ON ASSEMBLY VIEW

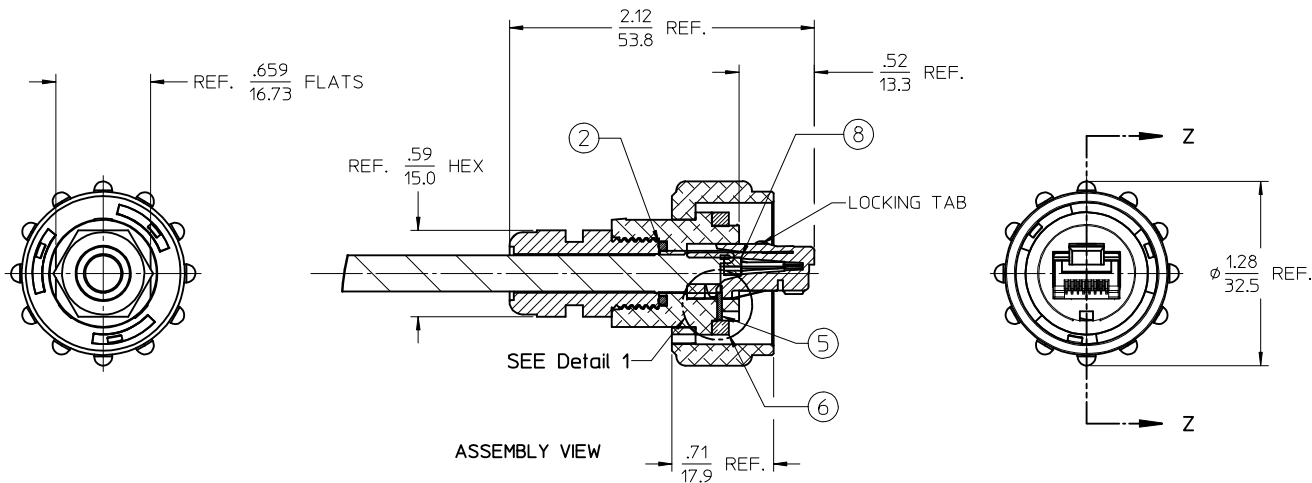
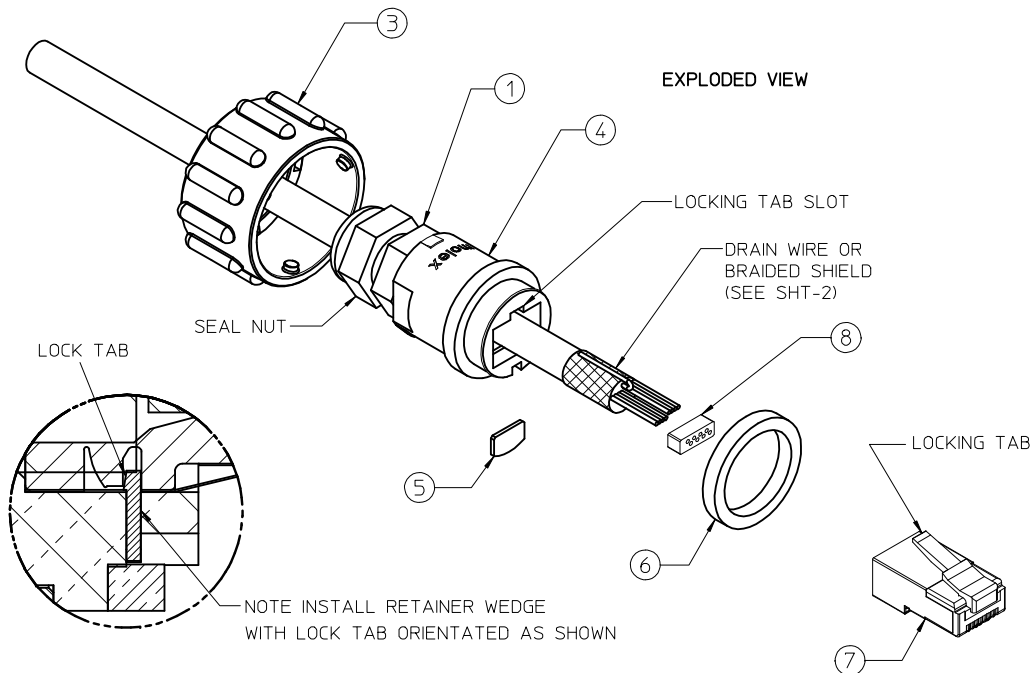
NOTES:

1. MATERIAL: SEE TABLE
2. FINISHES: SEE TABLE
3. PACKAGING: PARTS ARE PACKED IN A
CLEAR POLY BAG ALONG WITH ASSEMBLY
INSTRUCTIONS
5. ASSEMBLY IS RoHS COMPLIANT

ENGINEERING SPECS:

1. WIRE RANGE:
OD: .217IN/5.51mm TO .256IN/6.50mm
CONDUCTOR TYPE: SOLID OR STRANDED
CONDUCTOR RANGE: 22 TO 28 AWG
CONDUCTOR OD RANGE: .037IN/0.94mm TO .042IN/1.07mm
2. ELECTRICAL SPECS (RJ-45)
A. VOLTAGE: 30VAC/42VDC
B. CURRENT: 1.5 AMPS
3. OPERATING TEMP: -40°C TO 85°C (-40°F TO 185°C)

REF. THIS DRAWING SUPERSEDES SD-84700-0002 REV-C



8	1	LOAD BAR	POLYCARBONATE	
7	1	RJ-45 PLUG (SHIELDED)	POLYCARB/Cu ALLOY	GOLD PLATED CONTACTS
6	1	GASKET SEAL	NITRILE	BLACK
5	1	RETAINER WEDGE	POLYESTER (PBT)	BLACK
4	1	PLUG HOLDER	POLYESTER (PBT)	BLACK
3	1	COUPLING RING (BAYONET LOCK)	POLYESTER (PBT)	BLACK
2	1	O-RING	NITRILE	
1	1	CABLE SEAL ASSEMBLY	NYLON/TPE GLAND	BLACK
ITEM	QTY.	DESCRIPTION	MATERIAL	FINISH

REDRAWN - ADDED NOTES
EC NO: JFG2013-1456
DRAWN: RSTONE 2013/03/19
CHKD: RUPERT 2013/03/22
APPR: JFMURPHY 2013/06/24

QUALITY SYMBOLS
▽=0
▽=0

GENERAL TOLERANCES (UNLESS SPECIFIED)

	mm	INCH
4 PLACES	± .005	± .0002
3 PLACES	± .003	± .0001
2 PLACES	± .002	± .00005
1 PLACE	± 0.3	± .01
0 PLACE	± .001	± .00001

ANGULAR ± 2°
DRAFT WHERE APPLICABLE
MUST REMAIN WITHIN DIMENSIONS

DIMENSION STYLE
IN/MM

DRAWN BY: RSTONE DATE: 2013/03/19
CHECKED BY: B RUPERT DATE: 2013/03/22
APPROVED BY: JFMURPHY DATE: 2013/06/24

MATERIAL NO.
847000002

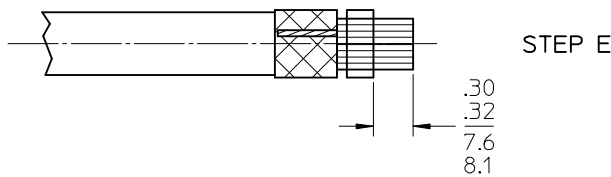
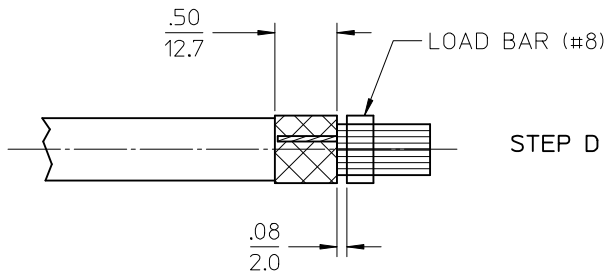
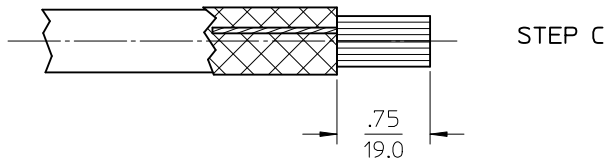
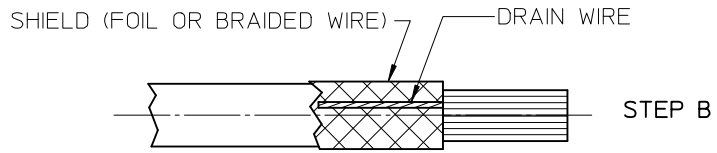
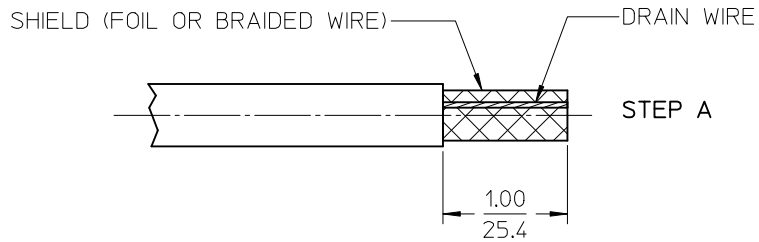
SCALE 1.5:1
DESIGN UNITS INCH
THIRD ANGLE PROJECTION

TITLE
**RJ-45 PLUG ASSEMBLY
FIELD WIRED**

molex

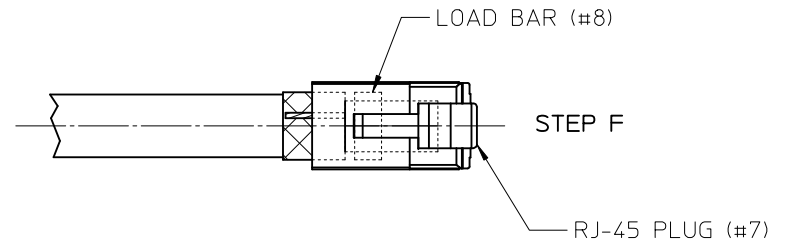
DOCUMENT NO. **SD-84700-012**
SHEET NO. **1 OF 2**

THIS DRAWING CONTAINS INFORMATION THAT IS PROPRIETARY TO MOLEX
INCORPORATED AND SHOULD NOT BE USED WITHOUT WRITTEN PERMISSION



CABLE PREP:

- A. STRIP OUTER INSULATION 1.00 IN
- B. FOLD DRAIN WIRE AND OR BRAIDED SHIELD (SEE REF. NOTE) BACK OVER OUTER JACKET
- C. TRIM WIRES STRAIGHT TO .75 INCHES AND ARRANGE THEM IN PROPER ORDER
- D. TRIM DRAIN WIRE AND OR SHIELD AS SHOWN THEN SLIDE LOAD BAR (#8) ON TO WIRES TO .08 INCHES AHEAD OF JACKET
- E. TRIM WIRES TO .30 TO .32 (AHEAD OF LOAD BAR)
- F. ALIGN RJ-45 PLUG (#7) AND INSERT PREPARED CABLE INTO BACK OF PLUG UNTIL WIRES ARE SEATED INTO PLUG VERIFY WIRE POSITIONS BEFORE FINAL TERMINATION IS COMPLETED
- G. CRIMP WITH RECOMMENDED HAND TOOL:
SENTINEL CONNECTOR SYSTEMS P/N: 900000/900208 OR 900005/900216-1



REF. NOTE: STEPS MAY VARY DEPENDING ON TYPE OF SHIELDING USED ON CABLE.

SEE SHEET 1 EC NO: IPG2013-1456 DRAWN BY: DRWINRSTONE 2013/03/19 CHKD BY: B RUPERT 2013/03/22 APPR: JFMURPHY 2013/06/24	DESCRIPTION REV A	QUALITY SYMBOLS	GENERAL TOLERANCES (UNLESS SPECIFIED)	DIMENSION STYLE	SCALE	DESIGN UNITS	THIRD ANGLE PROJECTION
		▼=0 ▽=0	mm INCH 4 PLACES ± --- ± --- 3 PLACES ± --- ± --- 2 PLACES ± --- ± --- 1 PLACE ± 0.3 ± .01 0 PLACE ± --- ± ---	IN/MM DRAWN BY: RSTONE DATE: 2013/03/19 CHECKED BY: B RUPERT DATE: 2013/03/22 APPROVED BY: JFMURPHY DATE: 2013/06/24	1.5:1	INCH	TITLE: RJ-45 PLUG ASSEMBLY FIELD WIRED molex DOCUMENT NO. SD-84700-012 SHEET NO. 2 OF 2
		ANGULAR ± 2° DRAFT WHERE APPLICABLE MUST REMAIN WITHIN DIMENSIONS	MATERIAL NO. SEE SHEET 1 SIZE B	THIS DRAWING CONTAINS INFORMATION THAT IS PROPRIETARY TO MOLEX INCORPORATED AND SHOULD NOT BE USED WITHOUT WRITTEN PERMISSION			