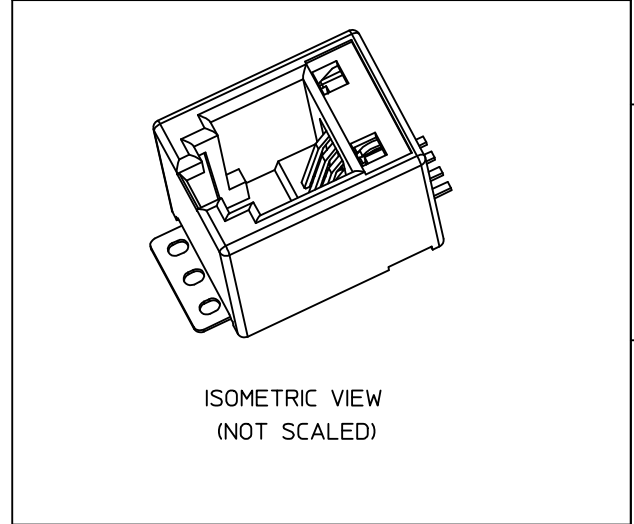
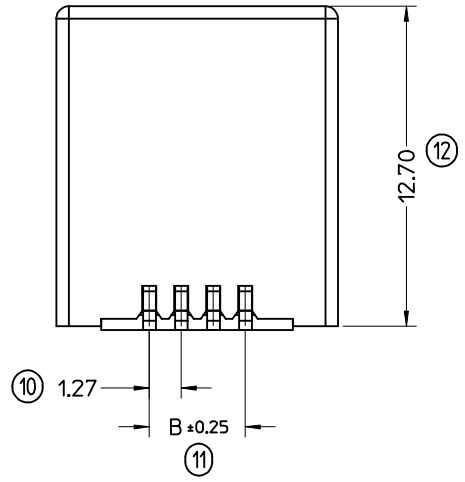


**NOTES:**

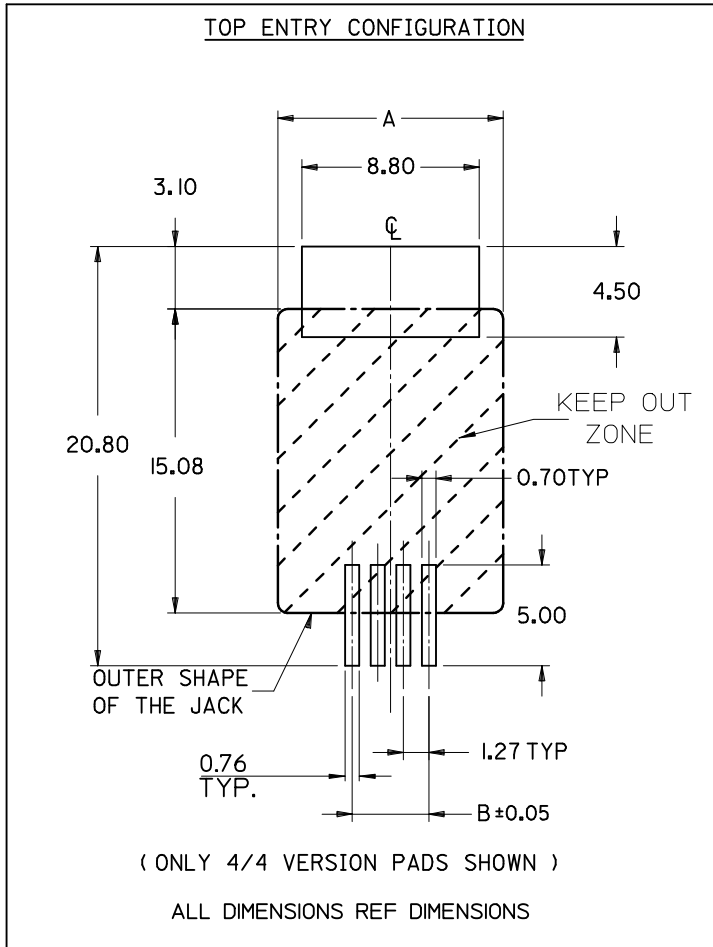
- 1- MATERIAL:  
 -HOUSING: LCP GLASS FILLED UL 94-V0, COLOUR BLACK.  
 -TERMINAL: COPPER ALLOY PLATED WITH:  
 BASE FINISH: NICKEL  
 CONTACT SURFACE FINISH:  
 GOLD,  
 OR  
 GOLD FLASH OVER PALLADIUM NICKEL.  
 EXCEEDS PRODUCT REQUIREMENTS BASED ON PS-85513-002
- 2- JACK FOR MATING WITH IEC 60603-7 AND TIA-1096-A PLUGS (MOLEX 90075 SERIES).
- 3- PRODUCT SPECIFICATION: PS-85513-002.
- 4- PACKAGING SPECIFICATION (SEE CHART SHEET2):  
 PK-85513-001 SHEET 3 (BLISTER ON REEL 13")  
 PK-85513-001 SHEET 1 (BLISTER ON REEL 15")  
 PK-85513-001 SHEET 2 (BLISTER ON REEL 22")
- 5- FLAT SURFACE ON BOTH SIDES FOR PICK AND PLACE PURPOSE
- 6- COPLANARITY OF LEADS AND TABS: 0.10 MAX
- 7- SEE RECOMMENDED PCB LAYOUT ON SHEET 2
- 8- FOR DRAWING PURPOSE, ONLY 4/4 VERSION SHOWN.
- 9- MANUFACTURING ID CAN BE EITHER MXF, MG OR MXI.
- 10- APPLICATION SPEC AS-85513-001
- 11- OPTIONAL PICK&PLACE TAPE

LAST INSPECTION No: 14



ADDED PICK&PLACE OPTIONS EC NO: IPG2013-1714 DRAWN: DBYRNES 2012/11/23 CHK'D: DSHEA 2013-06/12 APPR: STGRIFFIN 2013/06/17	QUALITY SYMBOLS ▽=0 ◻=0	GENERAL TOLERANCES (UNLESS SPECIFIED)		DIMENSION STYLE MM ONLY		SCALE 5:1	DESIGN UNITS METRIC	THIRD ANGLE PROJECTION		
			mm	INCH	DRAWN BY DBYRNES	DATE 2006/08/17	TITLE LOW PROFILE TOP ENTRY TRUE SMT JACK WITH P&P SURFACE(SHORT VERSION)			
		4 PLACES	± ---	± ---	CHECKED BY EOMAHONY	DATE 2006/08/17	MOLEX INCORPORATED			
		3 PLACES	± ---	± ---	APPROVED BY EOMAHONY	DATE 2006/08/17				
ANGULAR ± 2 °		DRAFT WHERE APPLICABLE MUST REMAIN WITHIN DIMENSIONS		MATERIAL NO. SEE SHEET 2	DOCUMENT NO. SD-85513-010	SHEET NO. 1 OF 2		THIS DRAWING CONTAINS INFORMATION THAT IS PROPRIETARY TO MOLEX INCORPORATED AND SHOULD NOT BE USED WITHOUT WRITTEN PERMISSION		

RECOMMENDED PCB LAYOUTS  
( SEE FROM COMPONENT SIDE )



PART No.	PICK&PLACE TAPE	HOUSING SIZE	LOADED CKTS	TOOLED	A	B	C	PACKAGING	PACKAGING SPEC.
85513-5013	NO	8	8	YES	15.24	8.89	13.80	BLISTER ON REEL 13"	PK-85513-001 SHEET 3
85513-5113	YES			YES					
85513-5001	NO			YES					
85513-5101	YES			YES					
85513-5009	NO			YES					
85513-5109	YES	6	6	YES	13.21	6.35	11.80	BLISTER ON REEL 15"	PK-85513-001 SHEET 1
85513-5014	NO			YES					
85513-5114	YES			YES					
85513-5002	NO			YES					
85513-5102	YES			YES					
85513-5010	NO	6	4	YES	13.21	3.81	11.80	BLISTER ON REEL 22"	PK-85513-001 SHEET 2
85513-5110	YES			YES					
85513-5015	NO			YES					
85513-5115	YES			YES					
85513-5003	NO			YES					
85513-5103	YES	4	4	YES	11.18	3.81	10.80	BLISTER ON REEL 15"	PK-85513-001 SHEET 1
85513-5011	NO			YES					
85513-5111	YES			YES					
85513-5016	NO			YES					
85513-5116	YES			YES					
85513-5004	NO	4	4	YES	11.18	3.81	10.80	BLISTER ON REEL 22"	PK-85513-001 SHEET 2
85513-5104	YES			YES					
85513-5012	NO			YES					
85513-5012	NO			YES					
85513-5112	YES			YES					

<b>SEE SHEET 1</b> EC NO: IPG2013-1714 DRW: DBYRNES 2012/11/23 CHK: DSHEA 2013-06/12 APPR: STORIFFIN 2013/06/17	QUALITY SYMBOLS ▽=0 ◻=0	GENERAL TOLERANCES (UNLESS SPECIFIED) mm INCH 4 PLACES ± --- ± --- 3 PLACES ± --- ± --- 2 PLACES ± 0.15 ± --- 1 PLACE ± 0.25 ± --- ANGULAR ± 2 °	DIMENSION STYLE MM ONLY DRAWN BY: DBYRNES DATE: 2006/08/17 CHECKED BY: EOMAHONY DATE: 2006/08/17 APPROVED BY: EOMAHONY DATE: 2006/08/17	SCALE 1:1 DESIGN UNITS METRIC THIRD ANGLE PROJECTION	TITLE LOW PROFILE TOP ENTRY TRUE SMT JACK WITH P&P SURFACE(SHORT VERSION)
	DRAFT WHERE APPLICABLE MUST REMAIN WITHIN DIMENSIONS		MATERIAL NO. SEE CHART	DOCUMENT NO. SD-85513-010	SHEET NO. 2 OF 2
	MOLEX INCORPORATED				
	THIS DRAWING CONTAINS INFORMATION THAT IS PROPRIETARY TO MOLEX INCORPORATED AND SHOULD NOT BE USED WITHOUT WRITTEN PERMISSION				