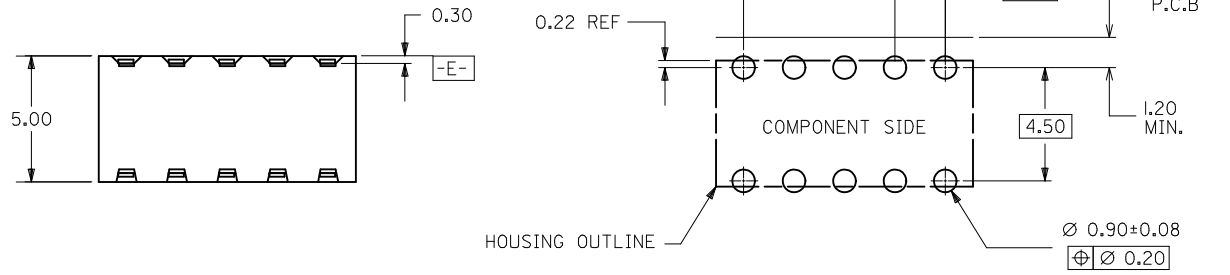


SECTION Z-Z

PART NO. LEGEND

87264- \* \* 5 \*  
 CIRCUIT SIZE      PLATING  
 POST-PLATED

- 2 - 0.38um/15uin MIN. GOLD PLATE IN SELECTED AREA AND 2.54um/100uin MIN. TIN IN SELECTED AREA OVER 1.27um/50uin NICKEL OVERALL (IN TUBE).
- 3 - 0.76um/30uin MIN. GOLD PLATE IN SELECTED AREA AND 2.54um/100uin MIN. TIN IN SELECTED AREA OVER 1.27um/50uin NICKEL OVERALL (IN TUBE).
- 4 - 0.05-0.25um/2-10uin GOLD PLATE IN SELECTED AREA AND 2.54um/100uin MIN. TIN IN SELECTED AREA OVER 1.27um/50uin NICKEL OVERALL (IN TUBE).



RECOMMENDED P.C. BOARD LAYOUT

- 8 - 0.38um/15uin MIN. GOLD PLATE IN SELECTED AREA AND 2.54um/100uin MIN. TIN IN SELECTED AREA OVER 1.27um/50uin NICKEL OVERALL. (IN TAPE/REEL)
- 9 - 0.76um/30uin MIN. GOLD PLATE IN SELECTED AREA AND 2.54um/100uin MIN. TIN IN SELECTED AREA OVER 1.27um/50uin NICKEL OVERALL. (IN TAPE/REEL)
- 5 - 0.05-0.25um/2-10uin GOLD PLATE IN SELECTED AREA AND 2.54um/100uin MIN. TIN IN SELECTED AREA OVER 1.27um/50uin NICKEL OVERALL (IN TAPE/REEL)

NOTES:

1. IO CIRCUIT SIZE SHOWN FOR ILLUSTRATION ONLY. SEE CHART FOR AVAILABLE PART SIZES.
2. PLATING FINISH : TERMINAL - AS PER LEGEND
3. RECOMMENDED PC BOARD THICKNESS IS 1.60 +/- 0.10mm.
4. PRODUCT SPECIFICATION PS-87264 APPLIES.
5. PART IS MATEABLE TO ALL MILLI-GRID HEADERS WITH MATING PIN LENGTH BETWEEN 2.50mm AND 4.20mm.
6. TAPE & REEL OPTION IS SHOWN ON SHT 3 WITH 8 CKT ILLUSTRATION.
7. PARTS SHALL BE PACKED IN MOISTURE BARRIER BAG.

ADD AU FLASH OPTION EC NO: S2011-1004 DRWN:SKANG 2009/04/06 CHYKD:ATSEE 2011/06/14 APPR:MLONG 2011/06/14	DESCRIPTION F2	QUALITY SYMBOLS	GENERAL TOLERANCES (UNLESS SPECIFIED)	DIMENSION STYLE	SCALE	DESIGN UNITS	THIRD ANGLE PROJECTION
		▼=0 ◻=0	mm      INCH 4 PLACES ± --- ± --- 3 PLACES ± --- ± --- 2 PLACES ± 0.2 ± --- 1 PLACE ± --- ± --- ANGULAR ± 3 °	MM ONLY	NTS	METRIC	☉    ◻    THIRD ANGLE PROJECTION
		DRAWN BY	DATE	TITLE	MGRID, 2MM DUAL ROW HDR. SIDE ENTRY RECEPTACLE T/H		
		JWAN	1992/02/25		MOLEX INCORPORATED		
		DRAFT WHERE APPLICABLE MUST REMAIN WITHIN DIMENSIONS	APPROVED BY	DATE	MATERIAL NO.	DOCUMENT NO.	SHEET NO.
			RWONG	1992/02/25	SEE TABLE	SD-87264-**50	1 OF 3
			SIZE	THIS DRAWING CONTAINS INFORMATION THAT IS PROPRIETARY TO MOLEX INCORPORATED AND SHOULD NOT BE USED WITHOUT WRITTEN PERMISSION			
			A3				

10 9 8 7 6 5 4 3 2 1

F

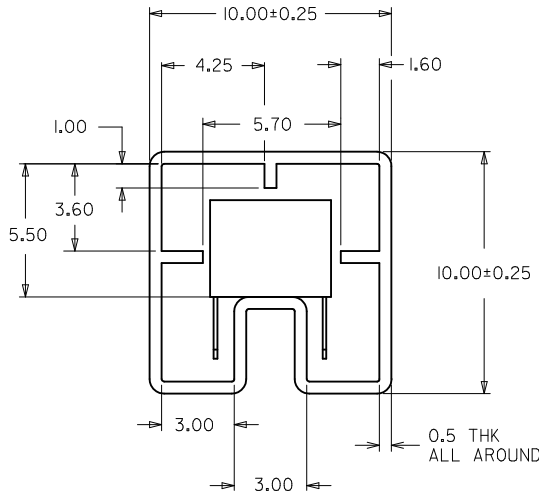
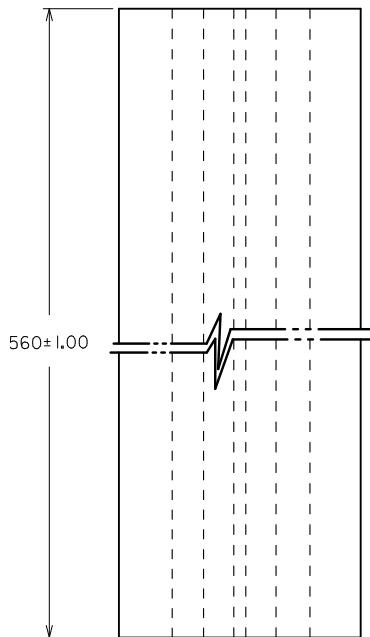
E

D

C

B

A



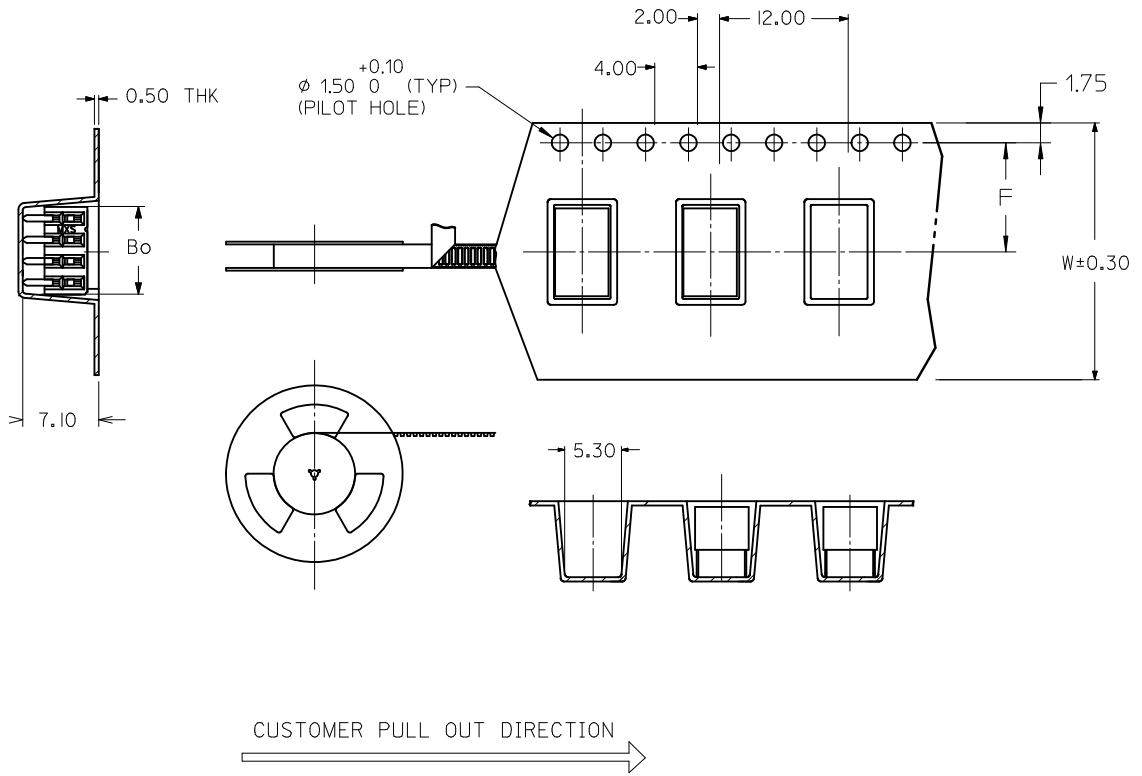
PART IN TUBE ORIENTATION.

PART NUMBER 0.38um GOLD PLATING $\triangle_2$	PART NUMBER 0.76um GOLD PLATING $\triangle_2$	CKT. SIZE	DIM A	DIM B
87264-0652	87264-0653	6	4.00	6.20
87264-0852	87264-0853	8	6.00	8.20
87264-1052	87264-1053	10	8.00	10.20
87264-1252	87264-1253	12	10.00	12.20
87264-1452	87264-1453	14	12.00	14.20
87264-1652	87264-1653	16	14.00	16.20
87264-1852	87264-1853	18	16.00	18.20
87264-2052	87264-2053	20	18.00	20.20
87264-2252	87264-2253	22	20.00	22.20
87264-2452	87264-2453	24	22.00	24.20
87264-2652	87264-2653	26	24.00	26.20
87264-2852	87264-2853	28	26.00	28.20
87264-3052	87264-3053	30	28.00	30.20
87264-3252	87264-3253	32	30.00	32.20
87264-3452	87264-3453	34	32.00	34.20
87264-3652	87264-3653	36	34.00	36.20
87264-3852	87264-3853	38	36.00	38.20
87264-4052	87264-4053	40	38.00	40.20
87264-4252	87264-4253	42	40.00	42.20
87264-4452	87264-4453	44	42.00	44.20
87264-4652	87264-4653	46	44.00	46.20
87264-4852	87264-4853	48	46.00	48.20
87264-5052	87264-5053	50	48.00	50.20

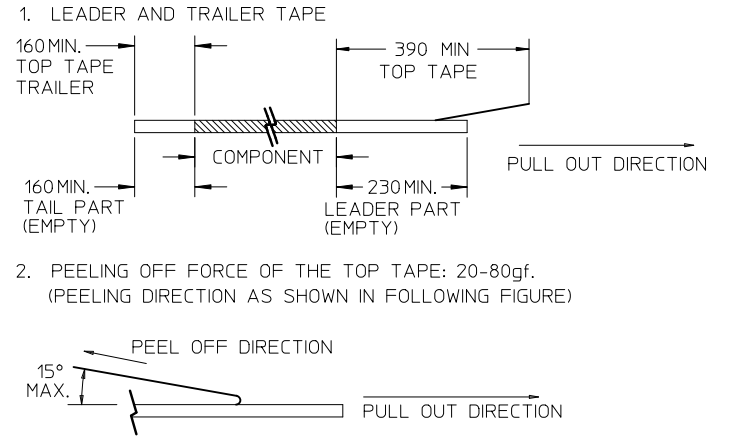
ADD AU FLASH OPTION EC NO: S2011-1004 DRWN:SKANG 2009/04/06 CHKD:ATSEE 2011/06/14 APPR:MLONG 2011/06/14	QUALITY SYMBOLS	GENERAL TOLERANCES (UNLESS SPECIFIED)	DIMENSION STYLE	SCALE	DESIGN UNITS	THIRD ANGLE PROJECTION
	$\nabla=0$ $\square=0$	mm    INCH 4 PLACES ± --- ± --- 3 PLACES ± --- ± --- 2 PLACES ± 0.2 ± --- 1 PLACE ± --- ± --- ANGULAR ± 3 °	MM ONLY	NTS	METRIC	
	DESCRIPTION	DRAFT WHERE APPLICABLE MUST REMAIN WITHIN DIMENSIONS	DRAWN BY	DATE	TITLE	
	REV		JWAN	1992/02/25	MGRID, 2MM DUAL ROW HDR. SIDE ENTRY RECEPTACLE T/H	
			CHECKED BY	DATE	MOLEX INCORPORATED SD-87264-**50	
			MLA1	1992/02/25		
			APPROVED BY	DATE	SHEET NO. 2 OF 3	
			RWONG	1992/02/25		
			MATERIAL NO.	DOCUMENT NO.		
			SEE TABLE			
			SIZE	THIS DRAWING CONTAINS INFORMATION THAT IS PROPRIETARY TO MOLEX INCORPORATED AND SHOULD NOT BE USED WITHOUT WRITTEN PERMISSION		
			A3			

9 8 7 6 5 4 3 2 1

PART NUMBER 0.38um GOLD PLATING $\triangle_2$ (IN TAPE/REEL)	PART NUMBER 0.76um GOLD PLATING $\triangle_2$ (IN TAPE/REEL)	CKT SIZE	DIM W	DIM F	DIM Bo
87264-0858	87264-0859	8	24.00	11.50	8.80



NOTES:



- LEADER AND TRAILER TAPE
- PEELING OFF FORCE OF THE TOP TAPE: 20-80gf. (PEELING DIRECTION AS SHOWN IN FOLLOWING FIGURE)
- PACKAGING STANDARD IS AS PER EIA-481.
- TAPE & REEL QUANTITY = 600PCS/REEL

<b>ADD AU FLASH OPTION</b> EC NO: S2011-1004 DRWN:SKANG 2009/04/06 CHKD:ATSEE 2011/06/14 APPR:MLONG 2011/06/14	QUALITY SYMBOLS $\nabla=0$ $\square=0$	GENERAL TOLERANCES (UNLESS SPECIFIED)		DIMENSION STYLE	SCALE	DESIGN UNITS	THIRD ANGLE PROJECTION	
				MM ONLY	NTS	METRIC		
				DRAWN BY	DATE	TITLE		
				JWAN	1992/02/25	MGRID, 2MM DUAL ROW HDR. SIDE ENTRY RECEPTACLE T/H		
		CHECKED BY		DATE	MATERIAL NO.			
		MLA1		1992/02/25	DOCUMENT NO.			
		APPROVED BY		DATE	SHEET NO.			
		RWONG		1992/02/25	3 OF 3			
		ANGULAR $\pm 3^\circ$		MOLEX INCORPORATED				
		DRAFT WHERE APPLICABLE MUST REMAIN WITHIN DIMENSIONS		SEE TABLE		SD-87264-**50		
				THIS DRAWING CONTAINS INFORMATION THAT IS PROPRIETARY TO MOLEX INCORPORATED AND SHOULD NOT BE USED WITHOUT WRITTEN PERMISSION				