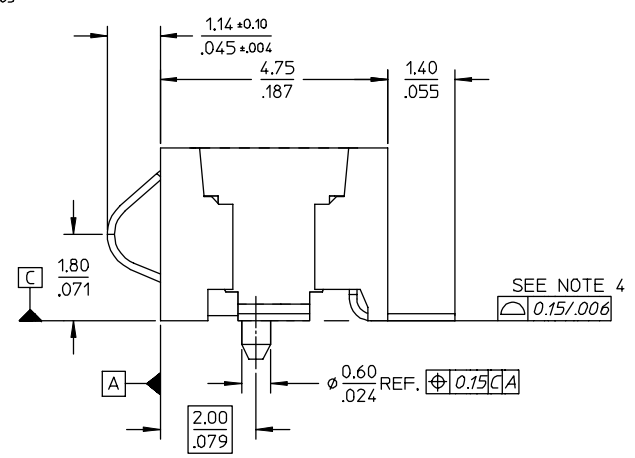
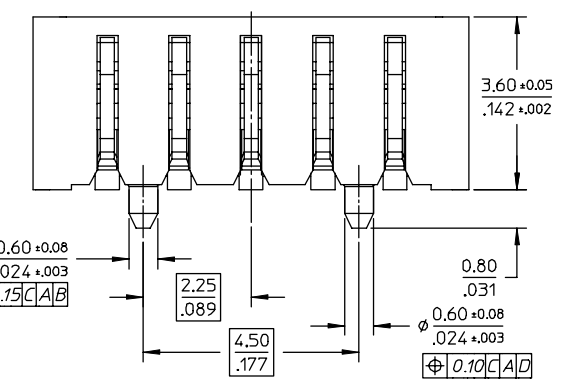
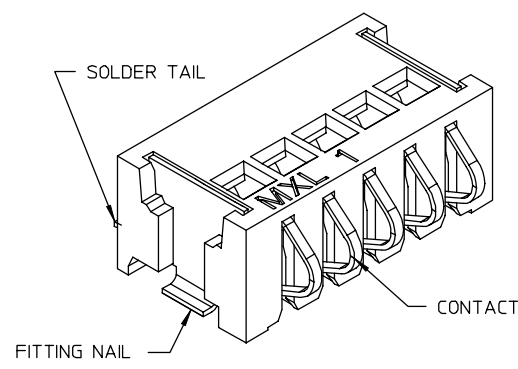
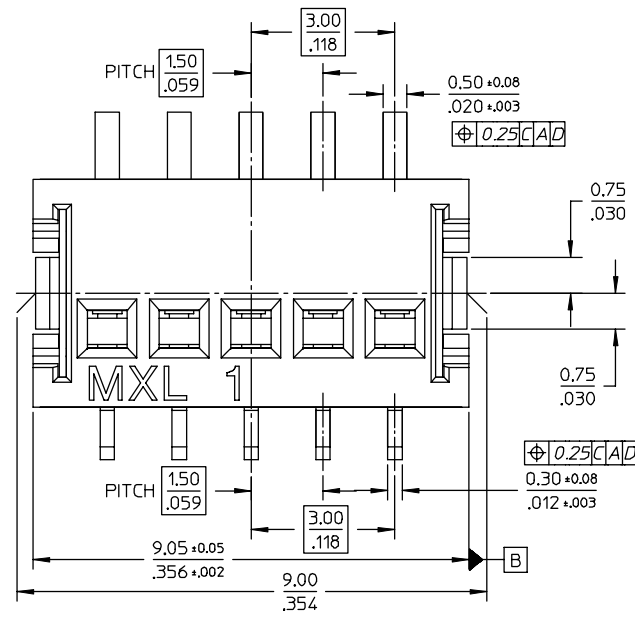


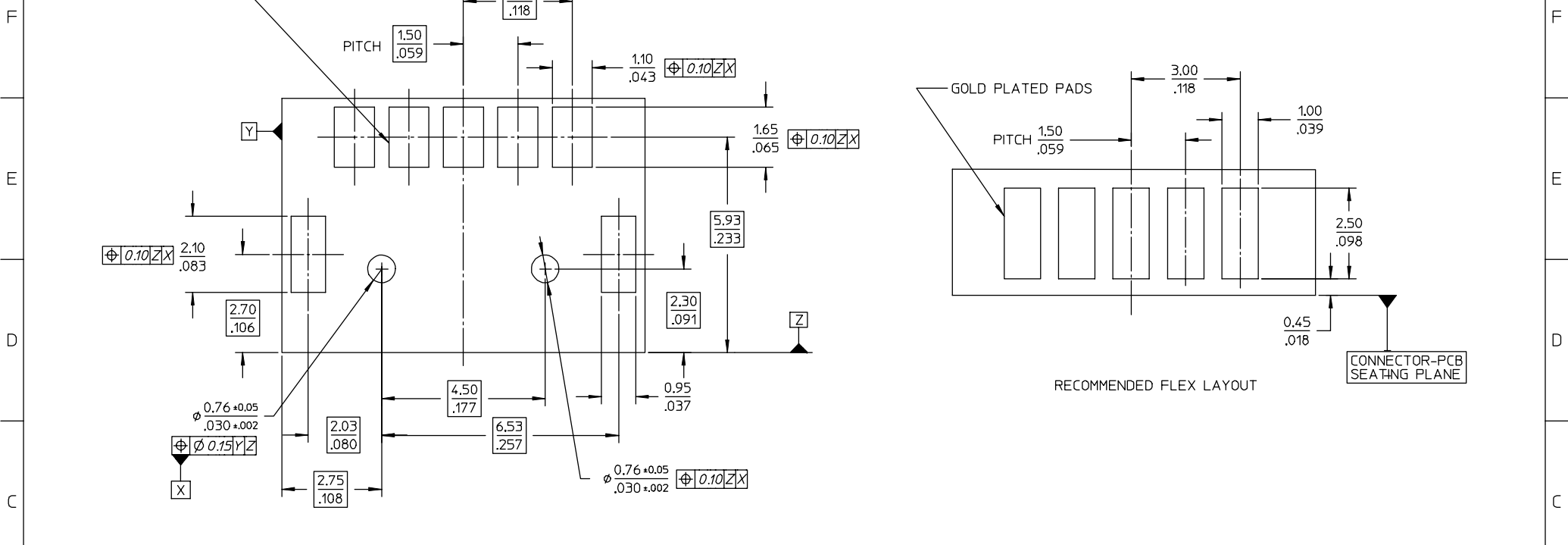
87650

CKT SIZE	PART NUMBER
5	87650-0002



- NOTES :
- MATERIAL : HOUSING - HIGH TEMP THERMOPLASTIC, GLASS FILLED, UL94 V-0, COLOR : BLACK
FITTING NAIL - BRASS
TERMINAL - PHOSPHOR BRONZE
 - FINISH : FITTING NAIL - TIN/LEAD ALLOY OVERALL :
THICKNESS = 1.90um / 75uin MINIMUM ;
NICKEL OVERALL.
TERMINAL - SELECTIVE GOLD IN CONTACT AREA :
THICKNESS = 0.38um / 15uin MINIMUM ;
SELECTIVE TIN-LEAD ALLOY IN PC TAIL AREA :
THICKNESS = 1.90um / 75uin MINIMUM ;
NICKEL OVERALL.
 - PRODUCT SPECIFICATION : PS-87650-002
 - CO-PLANARITY OF SOLDER TAIL AND FITTING NAIL IS TO BE MEASURED BY RESTING THE PART ON A FLAT GAGED SURFACE.
 - PARTS ARE PACKED IN TAPE & REEL OF WIDTH 16mm AND PITCH 12mm.

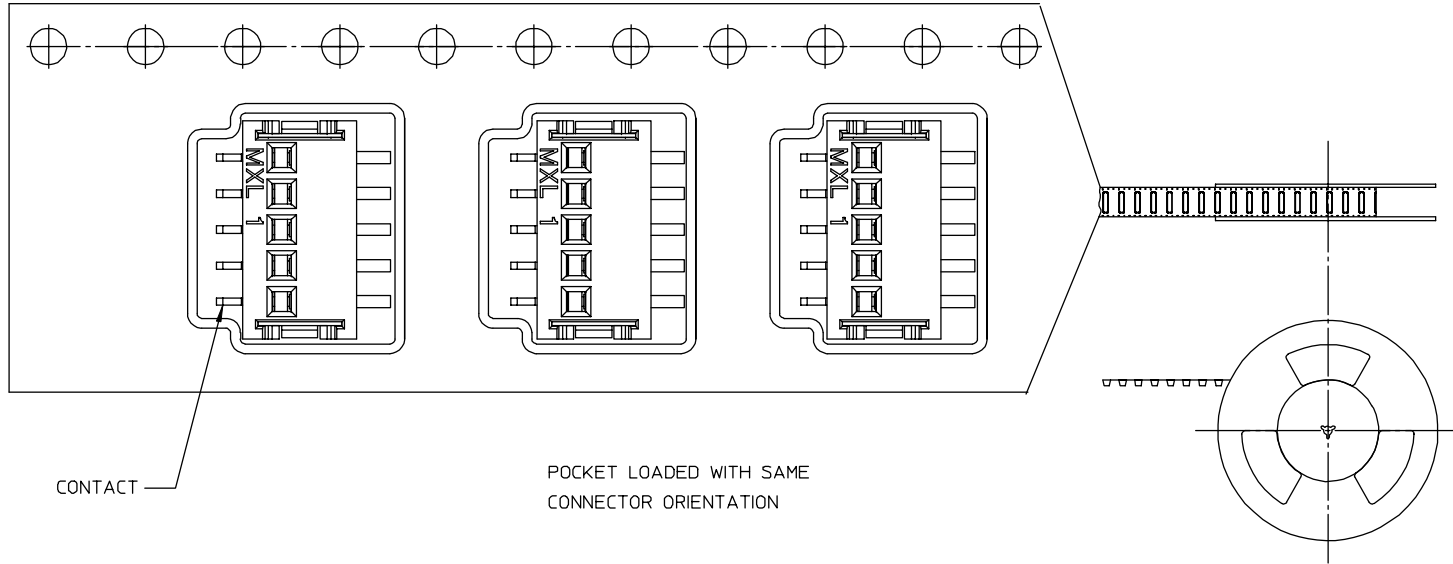
EC NO: S2002-0002 DRWN:RSHAN 2001/09/11 CHKD: 2001/09/11 APPR:KCLING 2001/09/12	QUALITY SYMBOLS ▽ = 0 ▽ = 0	GENERAL TOLERANCES (UNLESS SPECIFIED)		SCALE 10:1	DESIGN UNITS METRIC	THIRD ANGLE PROJECTION	REVISE ON CAD ONLY
		mm	INCH	DIMENSION STYLE MM/IN		TITLE 1.5MM PITCH COMPRESSION CONNECTOR	
A4	DESCRIPTION	4 PLACES ± --- ± ---	3 PLACES ± --- ± .005	DRAWN BY DATE JS GOH 010102		MATERIAL NO. DOCUMENT NO. SHEET NO. SEE TABLE SD-87650-001 1 OF 3	
		2 PLACES ± 0.13 ± ---	1 PLACE ± --- ± ---	CHECKED BY DATE K.C. LING 010305		MATERIAL NO. DOCUMENT NO. SHEET NO. SEE TABLE SD-87650-001 1 OF 3	
		ANGULAR ± 1 °		APPROVED BY DATE S. K. TOH 010305		MATERIAL NO. DOCUMENT NO. SHEET NO. SEE TABLE SD-87650-001 1 OF 3	
		DRAFT WHERE APPLICABLE MUST REMAIN WITHIN DIMENSIONS		THIS DRAWING CONTAINS INFORMATION THAT IS PROPRIETARY TO MOLEX INCORPORATED AND SHOULD NOT BE USED WITHOUT WRITTEN PERMISSION			



RECOMMENDED PCB LAYOUT
THICKNESS = 1.00mm MINIMUM

EC NO: S2002-0002 DRWN:RSHAN 2001/09/11 CHKD: 2001/09/11 APPR:KCLING 2001/09/12	QUALITY SYMBOLS ▼ = 0 ▽ = 0	GENERAL TOLERANCES (UNLESS SPECIFIED)		SCALE NTS	DESIGN UNITS METRIC	THIRD ANGLE PROJECTION	REVISE ON CAD ONLY	
		4 PLACES ± --- ± ---	3 PLACES ± --- ± .005	DIMENSION STYLE MM/IN		TITLE 1.5MM PITCH COMPRESSION CONNECTOR		
		2 PLACES ± 0.13 ± ---	1 PLACE ± --- ± ---	DRAWN BY DATE JS GOH 010102		MOLEX MOLEX INCORPORATED		
		ANGULAR ± 1 °		CHECKED BY DATE K. C. LING 010305		MATERIAL NO. SEE TABLE		
A4	REV	DRAFT WHERE APPLICABLE MUST REMAIN WITHIN DIMENSIONS		APPROVED BY DATE S. K. TOH 010305		DOCUMENT NO. SD-87650-001	SHEET NO. 2 OF 3	
THIS DRAWING CONTAINS INFORMATION THAT IS PROPRIETARY TO MOLEX INCORPORATED AND SHOULD NOT BE USED WITHOUT WRITTEN PERMISSION							B	

CUSTOMER PULL OUT DIRECTION
←



CONTACT

POCKET LOADED WITH SAME
CONNECTOR ORIENTATION

EC NO: S2002-0002 DRWN: RSHAN 2001/09/11 CHKD: 2001/09/11 APPR: KCLING 2001/09/12	QUALITY SYMBOLS ▽ = 0 ◁ = 0	GENERAL TOLERANCES (UNLESS SPECIFIED)		SCALE NTS	DESIGN UNITS METRIC	THIRD ANGLE PROJECTION	REVISE ON CAD ONLY		
		4 PLACES ± --- ± ---	3 PLACES ± --- ± .005	DIMENSION STYLE MM/IN		TITLE 1.5MM PITCH COMPRESSION CONNECTOR			
		2 PLACES ± 0.13 ± ---	1 PLACE ± --- ± ---	DRAFT WHERE APPLICABLE MUST REMAIN WITHIN DIMENSIONS		DRAWN BY REGINA SHAN	DATE 010418	MOLEX INCORPORATED	
		ANGULAR ± 1 °		CHECKED BY K C LING	DATE 010424	MATERIAL NO. SEE TABLE	DOCUMENT NO. SD-87650-001	SHEET NO. 3 OF 3	
A4	REV	THIS DRAWING CONTAINS INFORMATION THAT IS PROPRIETARY TO MOLEX INCORPORATED AND SHOULD NOT BE USED WITHOUT WRITTEN PERMISSION						B	