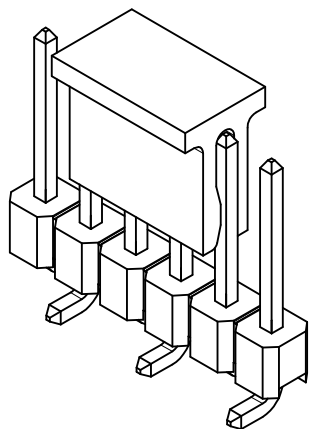
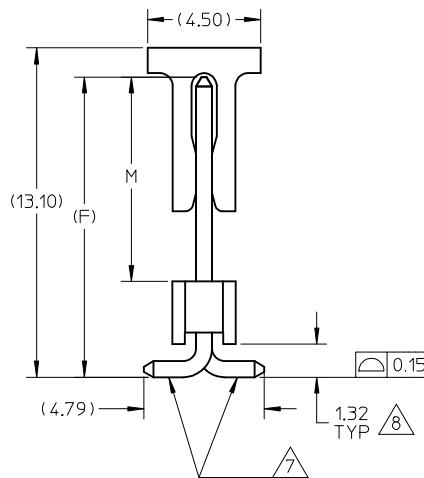
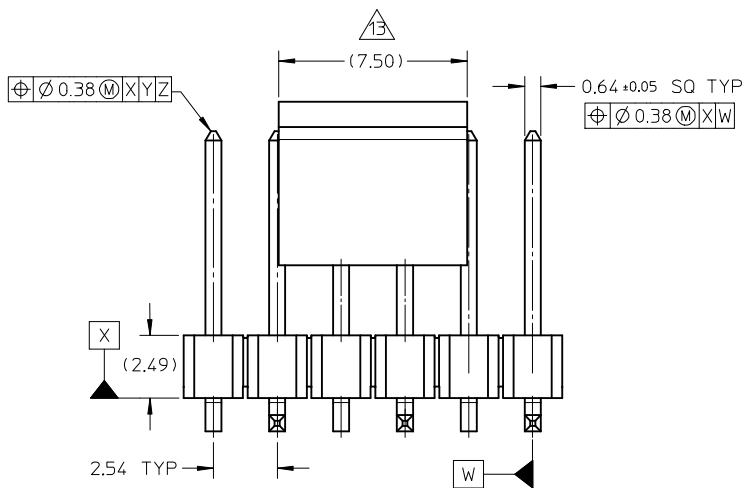


RECOMMENDED PCB LAYOUT



NOTES:

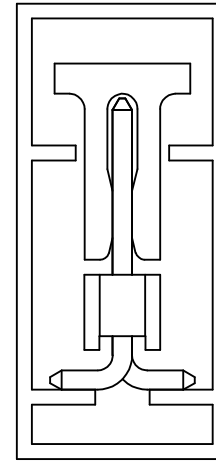
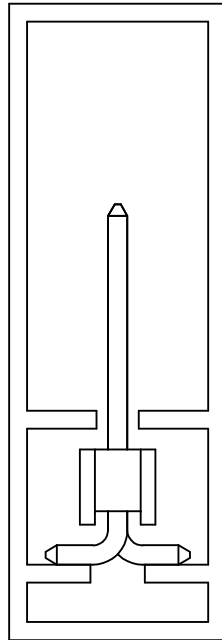
1. MATERIAL:
HSG: NYLON, GLASS-FILLED, UL94V-0, COLOR: BLACK
PIN: 0.64MM SQ. COPPER ALLOY
2. PLATING TYPE:
 - (1) GOLD FLASH OVER
1.25µm MIN. NICKEL OVERALL.
 - (2) GOLD FLASH ON CONTACT AND
2.50µm MIN. TIN ON SOLDER TAIL OVER
1.25µm MIN. NICKEL OVERALL.
 - (4) 0.38µm MIN. GOLD PLATE ON CONTACT AND
2.00µm MIN. TIN ON SOLDER TAIL OVER
1.25µm MIN. NICKEL OVERALL.
 - (5) 0.75µm MIN. GOLD PLATE ON CONTACT AND
2.00µm MIN. TIN ON SOLDER TAIL OVER
1.25µm MIN. NICKEL OVERALL.
 - (6) 2.50µm MIN. TIN OVERALL
1.25µm MIN. NICKEL OVERALL
3. PRODUCT SPECIFICATION: PS-87920-019
4. PACKAGING TYPE: SEE TABLE
5. PACKAGING SPEC: PK-89990-545(TUBE) & PK-89990-486(T&R).
6. WAFER TO BE FLAT WITHIN 0.003 mm/mm
7. BEND DEPRESSION IS ACCEPTED SO LONG AS IT DOES NOT AFFECT THE OVERALL COPLANARITY OF TAIL
8. COPLANARITY IS TO BE MEASURED BY RESTING THE SOLDER TAIL ON A FLAT SURFACE
9. IRREGULAR CIRCUIT CUTOFF WITHIN BREAKAWAY SECTION IS PERMISSIBLE. CUTTING OR CHIPPING OF THE MAIN BODY IS NOT ACCEPTABLE
10. TUBE LENGTH AS PER STANDARD 560mm
11. RECOMMENDED PCB THICKNESS IS 1.60mm±0.10
12. THE ABOVE CKT 6 IS FOR ILLUSTRATION PURPOSE ONLY
13. CAP LOCATION IS CENTERED ALONG THE MATING ENDS AS SHOWN. TOP SURFACE OF CAP TO BE FLAT FOR THE PURPOSE OF PICK & PLACE BY VACUUM SUCTION NOZZLE.

UPDATE SHT 3 EC NO: SZ013-0894 DRW:ATSEE 2013/06/25 CHKD:SKANG 2013/08/19 APPR:MLONG 2013/08/19	QUALITY SYMBOLS $F_{\Delta} = 0$ $F_{\Delta} = 0$ $F_{\Delta} = 0$	GENERAL TOLERANCES (UNLESS SPECIFIED) mm INCH 4 PLACES ± --- ± --- 3 PLACES ± --- ± --- 2 PLACES ± 0.2 ± --- 1 PLACE ± --- ± --- 0 PLACE ± ±	DIMENSION STYLE MM ONLY	SCALE NTS	DESIGN UNITS METRIC	THIRD ANGLE PROJECTION
	DRAWN BY SKLIM01	DATE 2005/10/26	TITLE CUSTOM HEADER 2.54MM PITCH SINGLE ROW SINGLE WAFER SMT HEADER			
	CHECKED BY NAGESHKN	DATE 2005/10/30				
	APPROVED BY PTLIM	DATE 2005/11/07				
B6	MATERIAL NO. SEE TABLE	DOCUMENT NO. SD-87898-003	SHEET NO. 1 OF 17			
DRAFT WHERE APPLICABLE MUST REMAIN WITHIN DIMENSIONS		THIS DRAWING CONTAINS INFORMATION THAT IS PROPRIETARY TO MOLEX INCORPORATED AND SHOULD NOT BE USED WITHOUT WRITTEN PERMISSION				



**PART WITHOUT CAP
IN TUBE
ORIENTATION**

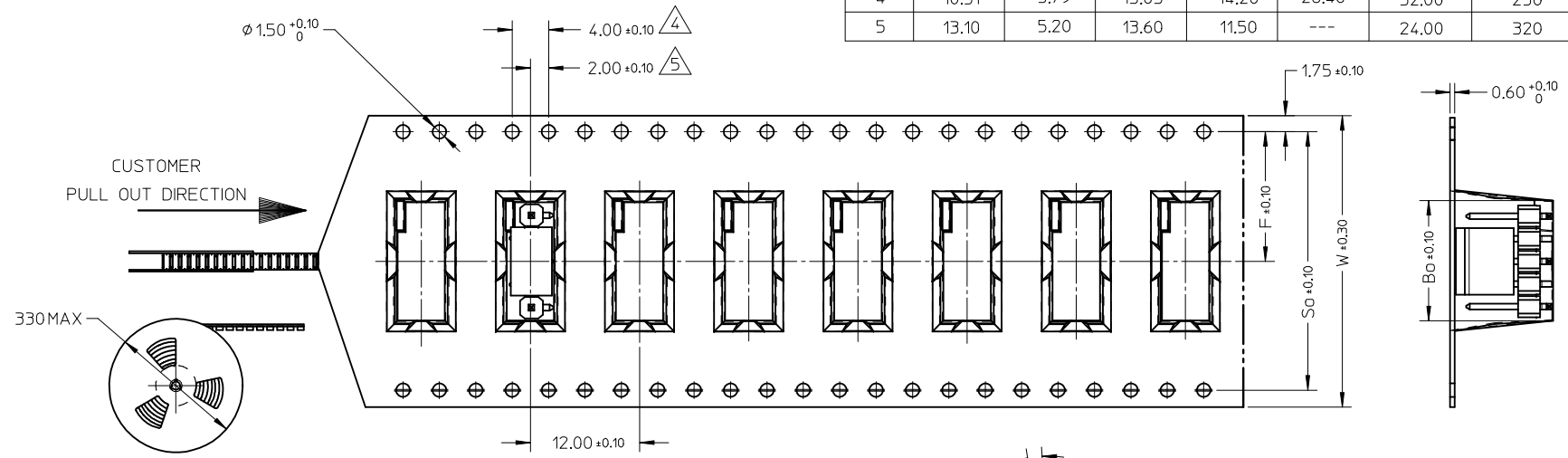
**PART WITH CAP
IN TUBE
ORIENTATION**



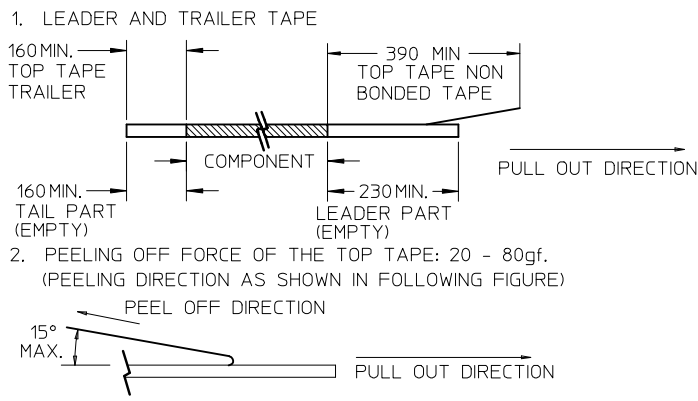
UPDATE SHT 3 EC NO: S2013-0894 2013/06/25 DRWN:AT SEE 2013/08/19 CHKD:SKANG APPR:MLONG 2013/08/19	DESCRIPTION REV	QUALITY SYMBOLS	GENERAL TOLERANCES (UNLESS SPECIFIED)		DIMENSION STYLE MM ONLY		SCALE NTS	DESIGN UNITS METRIC	THIRD ANGLE PROJECTION		
		$\nabla_A = 0$ $\nabla_B = 0$ $\nabla_C = 0$	mm INCH	DRAWN BY SKLIM01	DATE 2005/10/26	TITLE					
		4 PLACES ± --- ± --- 3 PLACES ± --- ± --- 2 PLACES ± 0.2 ± --- 1 PLACE ± --- ± --- 0 PLACE ± ±	CHECKED BY NAGESHKN	DATE 2005/10/30	CUSTOM HEADER 2.54MM PITCH SINGLE ROW SINGLE WAFER SMT HEADER						
		ANGULAR ± 3 ° DRAFT WHERE APPLICABLE MUST REMAIN WITHIN DIMENSIONS	APPROVED BY PTLIM	DATE 2005/11/07	MATERIAL NO. SEE TABLE				DOCUMENT NO. SD-87898-003	SHEET NO. 2 OF 17	

molex

CKT	DIMENSION						QTY/ REEL
	Bo	Ao	Ko	F	So	W	
3	8.02	5.20	13.60	11.50	---	24.00	320
4	10.51	5.79	15.05	14.20	28.40	32.00	250
5	13.10	5.20	13.60	11.50	---	24.00	320



NOTES:



- MATERIAL: BLACK P.S CONDUCTIVE, BLACK
- MEASURED FROM CENTRELINE OF SPROCKET HOLE TO CENTRELINE OF SPOCKET
- CUMULATIVE TOLERANCE OF 10 SPROCKET HOLE IS $\pm 0.20\text{mm}$
- A0 AND B0 ARE MEASURE FROM ABOVE POCKET BASE 0.30mm
- TAPE AND REEL SPECIFICATION IS AS PER EIA-481.
- THE TAPE IS TREATED FOR ANTI-STATIC.
- ALL RADIUS ARE 0.30MM UNLESS SPECIFY
- SURFACE RESISTIVITY 10^3 TO 10^8 OHMS.

PART PACK
IN E/TAPE
ORIENTATION
(FOR REF USE)

UPDATE SHT 3 IEC NO: S2013-0894 2013/06/25 DRW: NATSEE 2013/08/19 CHYKD: SKANG APPR: MLONG 2013/08/19	QUALITY SYMBOLS	GENERAL TOLERANCES (UNLESS SPECIFIED)	DIMENSION STYLE	SCALE	DESIGN UNITS	THIRD ANGLE PROJECTION	
	$\nabla F = 0$	mm INCH	MM ONLY	NTS	METRIC		
	$\nabla E = 0$	4 PLACES \pm --- \pm ---	DRAWN BY SKLIM01	DATE 2005/10/26	TITLE		
	$\nabla A = 0$	3 PLACES \pm --- \pm ---	CHECKED BY NAGESHKN	DATE 2005/10/30	CUSTOM HEADER		
	2 PLACES ± 0.2 \pm ---	APPROVED BY PTLIM	DATE 2005/11/07	2.54MM PITCH SINGLE ROW			
	1 PLACE \pm --- \pm ---	MATERIAL NO.		SINGLE WAFER SMT HEADER			
	0 PLACE \pm \pm	SEE TABLE		molex			
	ANGULAR $\pm 3^\circ$	DRAFT WHERE APPLICABLE MUST REMAIN WITHIN DIMENSIONS		DOCUMENT NO. SD-87898-003			
				SHEET NO. 3 OF 17			
				THIS DRAWING CONTAINS INFORMATION THAT IS PROPRIETARY TO MOLEX INCORPORATED AND SHOULD NOT BE USED WITHOUT WRITTEN PERMISSION			

10 9 8 7 6 5 4 3 2 1

PACKAGING OPTION PART NO.

TRAY WITHOUT CAP	TRAY WITH CAP	TUBE WITHOUT CAP	TUBE WITH CAP	TAPE & REEL WITHOUT CAP	TAPE & REEL WITH CAP	CKT SIZE	VOID POSITION	PLATING TYPE	DIMENSION			
									A	B	F	M
87898-0361	-----	-----	-----	-----	-----	3	-----	1	7.62	5.08	11.94	8.13
87898-0362	-----	-----	-----	-----	-----	3	-----	2	7.62	5.08	11.94	8.13
87898-0364	-----	-----	-----	-----	87898-0369	3	-----	4	7.62	5.08	11.94	8.13
87898-0365	-----	-----	-----	-----	-----	3	-----	5	7.62	5.08	11.94	8.13
87898-0366	-----	-----	87898-0367	-----	87898-0368	3	-----	6	7.62	5.08	11.94	8.13

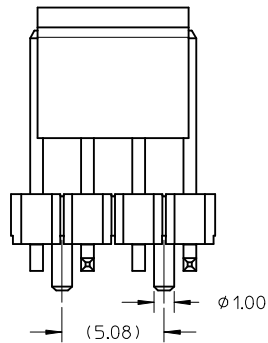
UPDATE SHT 3 EC NO: S2013-0894 DRWNA: TSEE 2013/06/25 CHKD: SKANG 2013/08/19 APPR: MLONG 2013/08/19	QUALITY SYMBOLS	GENERAL TOLERANCES (UNLESS SPECIFIED)		DIMENSION STYLE MM ONLY		SCALE NTS	DESIGN UNITS METRIC	THIRD ANGLE PROJECTION		
	$\nabla_A = 0$ $\nabla_G = 0$ $\nabla_F = 0$		mm	INCH	DRAWN BY	DATE	TITLE CUSTOM HEADER 2.54MM PITCH SINGLE ROW SINGLE WAFER SMT HEADER			
		4 PLACES	± ---	± ---	SKL IM01	2005/10/26				
		3 PLACES	± ---	± ---	CHECKED BY	DATE	molex			
		2 PLACES	± 0.2	± ---	NAGESHKN	2005/10/30				
1 PLACE	± ---	± ---	APPROVED BY	DATE	DOCUMENT NO. SD-87898-003 SHEET NO. 4 OF 17					
0 PLACE	±	±	PTL IM	2005/11/07						
		ANGULAR ± 3 °		MATERIAL NO.						
		DRAFT WHERE APPLICABLE MUST REMAIN WITHIN DIMENSIONS		SEE TABLE						
				SIZE A3	THIS DRAWING CONTAINS INFORMATION THAT IS PROPRIETARY TO MOLEX INCORPORATED AND SHOULD NOT BE USED WITHOUT WRITTEN PERMISSION					

9 8 7 6 5 4 3 2 1

PACKAGING OPTION PART NO.

F	TRY WITHOUT CAP	TRY WITH CAP	TUBE WITHOUT CAP	TUBE WITH CAP	TAPE & REEL WITHOUT CAP	TAPE & REEL WITH CAP	CKT SIZE	PEG	VOID POSITION	PLATING TYPE	DIMENSION			
											A	B	F	M
	-----	-----	87898-0461	-----	-----	-----	4	---	----	1	10.16	7.62	11.94	8.13
	-----	-----	87898-0462	-----	-----	-----	4	---	----	2	10.16	7.62	11.94	8.13
	-----	-----	87898-0464	-----	-----	-----	4	---	----	4	10.16	7.62	11.94	8.13
	-----	-----	87898-0465	-----	-----	-----	4	---	----	5	10.16	7.62	11.94	8.13
	-----	-----	87898-0466	-----	-----	87898-0467	4	---	----	6	10.16	7.62	11.94	8.13
E	-----	-----	-----	-----	-----	87898-0468	4	Y	----	6	10.16	7.62	11.94	8.13
	-----	-----	87898-0561	-----	-----	-----	5	---	----	1	12.70	10.16	11.94	8.13
	-----	-----	87898-0562	-----	-----	-----	5	---	----	2	12.70	10.16	11.94	8.13
	-----	-----	87898-0564	-----	-----	-----	5	---	----	4	12.70	10.16	11.94	8.13
	-----	-----	87898-0565	-----	-----	-----	5	---	----	5	12.70	10.16	11.94	8.13
D	-----	-----	87898-0566	87898-0567	-----	87898-0568	5	---	----	6	12.70	10.16	11.94	8.13
	-----	-----	87898-0661	-----	-----	-----	6	---	----	1	15.24	12.70	11.94	8.13
	-----	-----	87898-0662	-----	-----	-----	6	---	----	2	15.24	12.70	11.94	8.13
	-----	-----	87898-0664	-----	-----	-----	6	---	----	4	15.24	12.70	11.94	8.13
C	-----	-----	87898-0665	-----	-----	-----	6	---	----	5	15.24	12.70	11.94	8.13
	-----	-----	87898-0666	-----	-----	-----	6	---	----	6	15.24	12.70	11.94	8.13

4 CKT WITH PEG
FOR ILLUSTRATION ONLY



UPDATE SHT 3 EC NO: S2013-0894 DRWN:ATSEE 2013/06/25 CH'KD:SKANG 2013/08/19 APPR:MLONG 2013/08/19	QUALITY SYMBOLS	GENERAL TOLERANCES (UNLESS SPECIFIED)	DIMENSION STYLE	SCALE	DESIGN UNITS	THIRD ANGLE PROJECTION	
	$\nabla F=0$ $\nabla F=0$ $\nabla F=0$	mm INCH	MM ONLY	NTS	METRIC		
	4 PLACES ± --- ± --- 3 PLACES ± --- ± --- 2 PLACES ± 0.2 ± --- 1 PLACE ± --- ± --- 0 PLACE ± ±	DRAWN BY SKL IM01 DATE 2005/10/26 CHECKED BY NAGESHKN DATE 2005/10/30 APPROVED BY PTL IM DATE 2005/11/07	TITLE	CUSTOM HEADER 2.54MM PITCH SINGLE ROW SINGLE WAFER SMT HEADER			
	ANGULAR ± 3 ° DRAFT WHERE APPLICABLE MUST REMAIN WITHIN DIMENSIONS	MATERIAL NO. SEE TABLE SIZE A3	DOCUMENT NO. SD-87898-003 SHEET NO. 5 OF 17	THIS DRAWING CONTAINS INFORMATION THAT IS PROPRIETARY TO MOLEX INCORPORATED AND SHOULD NOT BE USED WITHOUT WRITTEN PERMISSION			


PACKAGING OPTION PART NO.						CKT SIZE	VOID POSITION	PLATING TYPE	DIMENSION			
TRY WITHOUT CAP	TRY WITH CAP	TUBE WITHOUT CAP	TUBE WITH CAP	TAPE & REEL WITHOUT CAP	TAPE & REEL WITH CAP				A	B	F	M
-----	-----	87898-07261	-----	-----	-----	7	----	1	17.78	15.24	11.94	8.13
-----	-----	87898-0762	-----	-----	-----	7	----	2	17.78	15.24	11.94	8.13
-----	-----	87898-0764	-----	-----	-----	7	----	4	17.78	15.24	11.94	8.13
-----	-----	87898-0765	-----	-----	-----	7	----	5	17.78	15.24	11.94	8.13
-----	-----	87898-0766	-----	-----	-----	7	----	6	17.78	15.24	11.94	8.13
-----	-----	87898-0861	-----	-----	-----	8	----	1	20.32	17.78	11.94	8.13
-----	-----	87898-0862	-----	-----	-----	8	----	2	20.32	17.78	11.94	8.13
-----	-----	87898-0864	-----	-----	-----	8	----	4	20.32	17.78	11.94	8.13
-----	-----	87898-0865	-----	-----	-----	8	----	5	20.32	17.78	11.94	8.13
-----	-----	87898-0866	-----	-----	-----	8	----	6	20.32	17.78	11.94	8.13
-----	-----	87898-0961	-----	-----	-----	9	----	1	22.86	20.32	11.94	8.13
-----	-----	87898-0962	-----	-----	-----	9	----	2	22.86	20.32	11.94	8.13
-----	-----	87898-0964	-----	-----	-----	9	----	4	22.86	20.32	11.94	8.13
-----	-----	87898-0965	-----	-----	-----	9	----	5	22.86	20.32	11.94	8.13
-----	-----	87898-0966	-----	-----	-----	9	----	6	22.86	20.32	11.94	8.13

-----	-----	87898-0961	-----	-----	-----	9	----	1	22.86	20.32	11.94	8.13
-----	-----	87898-0962	-----	-----	-----	9	----	2	22.86	20.32	11.94	8.13
-----	-----	87898-0964	-----	-----	-----	9	----	4	22.86	20.32	11.94	8.13
-----	-----	87898-0965	-----	-----	-----	9	----	5	22.86	20.32	11.94	8.13
-----	-----	87898-0966	-----	-----	-----	9	----	6	22.86	20.32	11.94	8.13

UPDATE SHT 3 EC NO: S2013-0894 DRW: N/AT/SEE CH/KD: SKANG APPR: MLONG 2013/06/25 2013/08/19 2013/08/19	QUALITY SYMBOLS $\nabla_F = 0$ $\nabla_F = 0$ $\nabla_F = 0$	GENERAL TOLERANCES (UNLESS SPECIFIED)		DIMENSION STYLE MM ONLY		SCALE NTS	DESIGN UNITS METRIC	THIRD ANGLE PROJECTION		
		4 PLACES	± ---	± ---	DRAWN BY SKL IM01	DATE 2005/10/26	TITLE CUSTOM HEADER 2.54MM PITCH SINGLE ROW SINGLE WAFER SMT HEADER molex MATERIAL NO. SEE TABLE DOCUMENT NO. SD-87898-003 SHEET NO. 6 OF 17			
		3 PLACES	± ---	± ---	CHECKED BY NAGESHKN	DATE 2005/10/30				
		2 PLACES	± 0.2	± ---	APPROVED BY PTL IM	DATE 2005/11/07				
1 PLACE	± ---	± ---								
		0 PLACE	±	±						
		ANGULAR ± 3 °		DRAFT WHERE APPLICABLE MUST REMAIN WITHIN DIMENSIONS		SIZE A3		THIS DRAWING CONTAINS INFORMATION THAT IS PROPRIETARY TO MOLEX INCORPORATED AND SHOULD NOT BE USED WITHOUT WRITTEN PERMISSION		

PACKAGING OPTION PART NO.

TRY WITHOUT CAP	TRY WITH CAP	TUBE WITHOUT CAP	TUBE WITH CAP	TAPE & REEL WITHOUT CAP	TAPE & REEL WITH CAP	CKT SIZE	VOID POSITION	PLATING TYPE	DIMENSION			
									A	B	F	M
-----	-----	87898-1061	-----	-----	-----	10	----	1	25.40	22.86	11.94	8.13
-----	-----	87898-1062	-----	-----	-----	10	----	2	25.40	22.86	11.94	8.13
-----	-----	87898-1064	-----	-----	-----	10	----	4	25.40	22.86	11.94	8.13
-----	-----	87898-1065	-----	-----	-----	10	----	5	25.40	22.86	11.94	8.13
-----	-----	87898-1066	-----	-----	-----	10	----	6	25.40	22.86	11.94	8.13
-----	-----	87898-1161	-----	-----	-----	11	----	1	27.94	25.40	11.94	8.13
-----	-----	87898-1162	-----	-----	-----	11	----	2	27.94	25.40	11.94	8.13
-----	-----	87898-1164	-----	-----	-----	11	----	4	27.94	25.40	11.94	8.13
-----	-----	87898-1165	-----	-----	-----	11	----	5	27.94	25.40	11.94	8.13
-----	-----	87898-1166	-----	-----	-----	11	----	6	27.94	25.40	11.94	8.13
-----	-----	87898-1261	-----	-----	-----	12	----	1	30.48	27.94	11.94	8.13
-----	-----	87898-1262	-----	-----	-----	12	----	2	30.48	27.94	11.94	8.13
-----	-----	87898-1264	-----	-----	-----	12	----	4	30.48	27.94	11.94	8.13
-----	-----	87898-1265	-----	-----	-----	12	----	5	30.48	27.94	11.94	8.13
-----	-----	87898-1266	-----	-----	-----	12	----	6	30.48	27.94	11.94	8.13

UPDATE SHT 3 EC NO: S2013-0894 DRWNA:TSEE 2013/06/25 CHKD:SKANG 2013/08/19 APPR:MLONG 2013/08/19	DESCRIPTION REV	QUALITY SYMBOLS	GENERAL TOLERANCES (UNLESS SPECIFIED)	DIMENSION STYLE	SCALE	DESIGN UNITS	THIRD ANGLE PROJECTION	
		$\nabla_A = 0$ $\nabla_C = 0$ $\nabla_F = 0$	mm INCH	MM ONLY	NTS	METRIC		
			4 PLACES ± --- ± ---	DRAWN BY	DATE	TITLE		
			3 PLACES ± --- ± ---	SKL IM01	2005/10/26	CUSTOM HEADER		
			2 PLACES ± 0.2 ± ---	CHECKED BY	DATE	2.54MM PITCH SINGLE ROW		
	1 PLACE ± --- ± ---	NAGESHKN	2005/10/30	SINGLE WAFER SMT HEADER				
	0 PLACE ± ±	APPROVED BY	DATE					
	ANGULAR ± 3 °	PTL IM	2005/11/07					
	DRAFT WHERE APPLICABLE MUST REMAIN WITHIN DIMENSIONS	MATERIAL NO.	SEE TABLE	DOCUMENT NO.	SD-87898-003		SHEET NO.	
		SIZE	A3	THIS DRAWING CONTAINS INFORMATION THAT IS PROPRIETARY TO MOLEX INCORPORATED AND SHOULD NOT BE USED WITHOUT WRITTEN PERMISSION				

PACKAGING OPTION PART NO.						CKT SIZE	VOID POSITION	PLATING TYPE	DIMENSION			
TRY WITHOUT CAP	TRY WITH CAP	TUBE WITHOUT CAP	TUBE WITH CAP	TAPE & REEL WITHOUT CAP	TAPE & REEL WITH CAP				A	B	F	M
-----	-----	87898-1361	-----	-----	-----	13	----	1	33.02	30.48	11.94	8.13
-----	-----	87898-1362	-----	-----	-----	13	----	2	33.02	30.48	11.94	8.13
-----	-----	87898-1364	-----	-----	-----	13	----	4	33.02	30.48	11.94	8.13
-----	-----	87898-1365	-----	-----	-----	13	----	5	33.02	30.48	11.94	8.13
-----	-----	87898-1366	-----	-----	-----	13	----	6	33.02	30.48	11.94	8.13
-----	-----	87898-1461	-----	-----	-----	14	----	1	35.56	33.02	11.94	8.13
-----	-----	87898-1462	-----	-----	-----	14	----	2	35.56	33.02	11.94	8.13
-----	-----	87898-1464	-----	-----	-----	14	----	4	35.56	33.02	11.94	8.13
-----	-----	87898-1465	-----	-----	-----	14	----	5	35.56	33.02	11.94	8.13
-----	-----	87898-1466	-----	-----	-----	14	----	6	35.56	33.02	11.94	8.13
-----	-----	87898-1561	-----	-----	-----	15	----	1	38.10	35.56	11.94	8.13
-----	-----	87898-1562	-----	-----	-----	15	----	2	38.10	35.56	11.94	8.13
-----	-----	87898-1564	-----	-----	-----	15	----	4	38.10	35.56	11.94	8.13
-----	-----	87898-1565	-----	-----	-----	15	----	5	38.10	35.56	11.94	8.13
-----	-----	87898-1566	-----	-----	-----	15	----	6	38.10	35.56	11.94	8.13

-----	-----	-----	-----	-----	-----	-----	-----	-----	-----	-----	-----	-----
-------	-------	-------	-------	-------	-------	-------	-------	-------	-------	-------	-------	-------

UPDATE SHT 3 EC NO: S2013-0894 DRWN:ATSEE 2013/06/25 CH'KD:SKANG 2013/08/19 APPR:MLONG 2013/08/19	QUALITY SYMBOLS $\nabla_{\text{F}}=0$ $\nabla_{\text{G}}=0$ $\nabla_{\text{P}}=0$	GENERAL TOLERANCES (UNLESS SPECIFIED)	DIMENSION STYLE MM ONLY	SCALE NTS	DESIGN UNITS METRIC	THIRD ANGLE PROJECTION																													
		<table border="1"> <tr><th colspan="2">mm</th><th>INCH</th></tr> <tr><td>4 PLACES</td><td>± ---</td><td>± ---</td></tr> <tr><td>3 PLACES</td><td>± ---</td><td>± ---</td></tr> <tr><td>2 PLACES</td><td>± 0.2</td><td>± ---</td></tr> <tr><td>1 PLACE</td><td>± ---</td><td>± ---</td></tr> <tr><td>0 PLACE</td><td>±</td><td>±</td></tr> </table>	mm		INCH		4 PLACES	± ---	± ---	3 PLACES	± ---	± ---	2 PLACES	± 0.2	± ---	1 PLACE	± ---	± ---	0 PLACE	±	±	<table border="1"> <tr><th>DRAWN BY</th><th>DATE</th></tr> <tr><td>SKL IM01</td><td>2005/10/26</td></tr> <tr><th>CHECKED BY</th><th>DATE</th></tr> <tr><td>NAGESHKN</td><td>2005/10/30</td></tr> <tr><th>APPROVED BY</th><th>DATE</th></tr> <tr><td>PTL IM</td><td>2005/11/07</td></tr> </table>	DRAWN BY	DATE	SKL IM01	2005/10/26	CHECKED BY	DATE	NAGESHKN	2005/10/30	APPROVED BY	DATE	PTL IM	2005/11/07	TITLE CUSTOM HEADER 2.54MM PITCH SINGLE ROW SINGLE WAFER SMT HEADER
		mm		INCH																															
		4 PLACES	± ---	± ---																															
3 PLACES	± ---	± ---																																	
2 PLACES	± 0.2	± ---																																	
1 PLACE	± ---	± ---																																	
0 PLACE	±	±																																	
DRAWN BY	DATE																																		
SKL IM01	2005/10/26																																		
CHECKED BY	DATE																																		
NAGESHKN	2005/10/30																																		
APPROVED BY	DATE																																		
PTL IM	2005/11/07																																		
DRAFT WHERE APPLICABLE MUST REMAIN WITHIN DIMENSIONS	MATERIAL NO. SEE TABLE	DOCUMENT NO. SD-87898-003	SHEET NO. 8 OF 17																																
THIS DRAWING CONTAINS INFORMATION THAT IS PROPRIETARY TO MOLEX INCORPORATED AND SHOULD NOT BE USED WITHOUT WRITTEN PERMISSION																																			

PACKAGING OPTION PART NO.

F	TRY WITHOUT CAP	TRY WITH CAP	TUBE WITHOUT CAP	TUBE WITH CAP	TAPE & REEL WITHOUT CAP	TAPE & REEL WITH CAP	CKT SIZE	VOID POSITION	PLATING TYPE	DIMENSION			
										A	B	F	M
	-----	-----	87898-1961	-----	-----	-----	19	----	1	48.26	45.72	11.94	8.13
	-----	-----	87898-1962	-----	-----	-----	19	----	2	48.26	45.72	11.94	8.13
	-----	-----	87898-1964	-----	-----	-----	19	----	4	48.26	45.72	11.94	8.13
	-----	-----	87898-1965	-----	-----	-----	19	----	5	48.26	45.72	11.94	8.13
	-----	-----	87898-1966	-----	-----	-----	19	----	6	48.26	45.72	11.94	8.13
E													
	-----	-----	87898-2061	-----	-----	-----	20	----	1	50.80	48.26	11.94	8.13
	-----	-----	87898-2062	-----	-----	-----	20	----	2	50.80	48.26	11.94	8.13
	-----	-----	87898-2064	-----	-----	-----	20	----	4	50.80	48.26	11.94	8.13
	-----	-----	87898-2065	-----	-----	-----	20	----	5	50.80	48.26	11.94	8.13
	-----	-----	87898-2066	-----	-----	-----	20	----	6	50.80	48.26	11.94	8.13
D													
	-----	-----	87898-2161	-----	-----	-----	21	----	1	53.34	50.80	11.94	8.13
	-----	-----	87898-2162	-----	-----	-----	21	----	2	53.34	50.80	11.94	8.13
	-----	-----	87898-2164	-----	-----	-----	21	----	4	53.34	50.80	11.94	8.13
	-----	-----	87898-2165	-----	-----	-----	21	----	5	53.34	50.80	11.94	8.13
	-----	-----	87898-2166	-----	-----	-----	21	----	6	53.34	50.80	11.94	8.13

UPDATE SHT 3 EC NO: S2013-0894 DRW:ATSEE 2013/06/25 CHKD:SKANG 2013/08/19 APPR:MLONG 2013/08/19	REV B6	QUALITY SYMBOLS	GENERAL TOLERANCES (UNLESS SPECIFIED)	DIMENSION STYLE MM ONLY	SCALE NTS	DESIGN UNITS METRIC	THIRD ANGLE PROJECTION		
		$\nabla_A = 0$ $\nabla_B = 0$ $\nabla_F = 0$	mm INCH 4 PLACES ± --- ± --- 3 PLACES ± --- ± --- 2 PLACES ± 0.2 ± --- 1 PLACE ± --- ± --- 0 PLACE ± ±	DRAWN BY: SKL IM01 DATE: 2005/10/26 CHECKED BY: NAGESHKN DATE: 2005/10/30 APPROVED BY: PTL IM DATE: 2005/11/07	TITLE	CUSTOM HEADER 2.54MM PITCH SINGLE ROW SINGLE WAFER SMT HEADER			
		ANGULAR ± 3°	DRAFT WHERE APPLICABLE MUST REMAIN WITHIN DIMENSIONS	SEE TABLE	MATERIAL NO.	DOCUMENT NO.			
				SIZE A3	THIS DRAWING CONTAINS INFORMATION THAT IS PROPRIETARY TO MOLEX INCORPORATED AND SHOULD NOT BE USED WITHOUT WRITTEN PERMISSION				
									molex SD-87898-003 SHEET NO. 10 OF 17

PACKAGING OPTION PART NO.						CKT SIZE	VOID POSITION	PLATING TYPE	DIMENSION			
TRY WITHOUT CAP	TRY WITH CAP	TUBE WITHOUT CAP	TUBE WITH CAP	TAPE & REEL WITHOUT CAP	TAPE & REEL WITH CAP				A	B	F	M
-----	-----	87898-2561	-----	-----	-----	25	----	1	63.50	60.96	11.94	8.13
-----	-----	87898-2562	-----	-----	-----	25	----	2	63.50	60.96	11.94	8.13
-----	-----	87898-2564	-----	-----	-----	25	----	4	63.50	60.96	11.94	8.13
-----	-----	87898-2565	-----	-----	-----	25	----	5	63.50	60.96	11.94	8.13
-----	-----	87898-2566	-----	-----	-----	25	----	6	63.50	60.96	11.94	8.13
-----	-----	87898-2661	-----	-----	-----	26	----	1	66.04	63.50	11.94	8.13
-----	-----	87898-2662	-----	-----	-----	26	----	2	66.04	63.50	11.94	8.13
-----	-----	87898-2664	-----	-----	-----	26	----	4	66.04	63.50	11.94	8.13
-----	-----	87898-2665	-----	-----	-----	26	----	5	66.04	63.50	11.94	8.13
-----	-----	87898-2666	-----	-----	-----	26	----	6	66.04	63.50	11.94	8.13
-----	-----	87898-2761	-----	-----	-----	27	----	1	68.58	66.04	11.94	8.13
-----	-----	87898-2762	-----	-----	-----	27	----	2	68.58	66.04	11.94	8.13
-----	-----	87898-2764	-----	-----	-----	27	----	4	68.58	66.04	11.94	8.13
-----	-----	87898-2765	-----	-----	-----	27	----	5	68.58	66.04	11.94	8.13
-----	-----	87898-2766	-----	-----	-----	27	----	6	68.58	66.04	11.94	8.13

UPDATE SHT 3 EC NO: S2013-0894 DRWN:ATSEE 2013/06/25 CHKD:SKANG 2013/08/19 APPR:MLONG 2013/08/19	QUALITY SYMBOLS	GENERAL TOLERANCES (UNLESS SPECIFIED)	DIMENSION STYLE	SCALE	DESIGN UNITS	THIRD ANGLE PROJECTION	
	$\nabla_F = 0$ $\nabla_{F'} = 0$ $\nabla_{F''} = 0$	mm INCH	MM ONLY	NTS	METRIC		
	4 PLACES ± --- ± --- 3 PLACES ± --- ± --- 2 PLACES ± 0.2 ± --- 1 PLACE ± --- ± --- 0 PLACE ± ±	DRAWN BY: SKL IM01 DATE: 2005/10/26 CHECKED BY: NAGESHKN DATE: 2005/10/30 APPROVED BY: PTL IM DATE: 2005/11/07	TITLE CUSTOM HEADER 2.54MM PITCH SINGLE ROW SINGLE WAFER SMT HEADER				
	ANGULAR ± 3 ° DRAFT WHERE APPLICABLE MUST REMAIN WITHIN DIMENSIONS	MATERIAL NO. SEE TABLE	DOCUMENT NO. SD-87898-003				

PACKAGING OPTION PART NO.										CKT SIZE	VOID POSITION	PLATING TYPE	DIMENSION			
TRY WITHOUT CAP	TRY WITH CAP	TUBE WITHOUT CAP	TUBE WITH CAP	TAPE & REEL WITHOUT CAP	TAPE & REEL WITH CAP	A	B	F	M							
-----	-----	87898-2861	-----	-----	-----	28	----	1	71.12	68.58	11.94	8.13				
-----	-----	87898-2862	-----	-----	-----	28	----	2	71.12	68.58	11.94	8.13				
-----	-----	87898-2864	-----	-----	-----	28	----	4	71.12	68.58	11.94	8.13				
-----	-----	87898-2865	-----	-----	-----	28	----	5	71.12	68.58	11.94	8.13				
-----	-----	87898-2866	-----	-----	-----	28	----	6	71.12	68.58	11.94	8.13				
-----	-----	87898-2961	-----	-----	-----	29	----	1	73.66	71.12	11.94	8.13				
-----	-----	87898-2962	-----	-----	-----	29	----	2	73.66	71.12	11.94	8.13				
-----	-----	87898-2964	-----	-----	-----	29	----	4	73.66	71.12	11.94	8.13				
-----	-----	87898-2965	-----	-----	-----	29	----	5	73.66	71.12	11.94	8.13				
-----	-----	87898-2966	-----	-----	-----	29	----	6	73.66	71.12	11.94	8.13				
-----	-----	87898-3061	-----	-----	-----	30	----	1	76.20	73.66	11.94	8.13				
-----	-----	87898-3062	-----	-----	-----	30	----	2	76.20	73.66	11.94	8.13				
-----	-----	87898-3064	-----	-----	-----	30	----	4	76.20	73.66	11.94	8.13				
-----	-----	87898-3065	-----	-----	-----	30	----	5	76.20	73.66	11.94	8.13				
-----	-----	87898-3066	-----	-----	-----	30	----	6	76.20	73.66	11.94	8.13				

-----	-----	87898-3061	-----	-----	-----	30	----	1	76.20	73.66	11.94	8.13
-----	-----	87898-3062	-----	-----	-----	30	----	2	76.20	73.66	11.94	8.13
-----	-----	87898-3064	-----	-----	-----	30	----	4	76.20	73.66	11.94	8.13
-----	-----	87898-3065	-----	-----	-----	30	----	5	76.20	73.66	11.94	8.13
-----	-----	87898-3066	-----	-----	-----	30	----	6	76.20	73.66	11.94	8.13

UPDATE SHT 3 EC NO: S2013-0894 DRW: NATSEE 2013/06/25 CHKD: SKANG 2013/08/19 APPR: MLONG 2013/08/19	QUALITY SYMBOLS $\nabla \text{F} = 0$ $\nabla \text{F} = 0$ $\nabla \text{F} = 0$	GENERAL TOLERANCES (UNLESS SPECIFIED)		DIMENSION STYLE MM ONLY		SCALE NTS	DESIGN UNITS METRIC	THIRD ANGLE PROJECTION				
				mm	INCH	DRAWN BY SKL IM01	DATE 2005/10/26	TITLE CUSTOM HEADER				
				4 PLACES	± ---	± ---	CHECKED BY NAGESHK N	DATE 2005/10/30	2.54MM PITCH SINGLE ROW SINGLE WAFER SMT HEADER			
				3 PLACES	± ---	± ---	APPROVED BY PTL IM	DATE 2005/11/07	molex			
		2 PLACES	± 0.2	± ---	MATERIAL NO. SEE TABLE		DOCUMENT NO. SD-87898-003		SHEET NO. 13 OF 17			
		1 PLACE	± ---	± ---	DRAFT WHERE APPLICABLE MUST REMAIN WITHIN DIMENSIONS							
		0 PLACE	±	±	THIS DRAWING CONTAINS INFORMATION THAT IS PROPRIETARY TO MOLEX INCORPORATED AND SHOULD NOT BE USED WITHOUT WRITTEN PERMISSION							

PACKAGING OPTION PART NO.						CKT SIZE	VOID POSITION	PLATING TYPE	DIMENSION			
TRY WITHOUT CAP	TRY WITH CAP	TUBE WITHOUT CAP	TUBE WITH CAP	TAPE & REEL WITHOUT CAP	TAPE & REEL WITH CAP				A	B	F	M
-----	-----	87898-3161	-----	-----	-----	31	----	1	78.74	76.20	11.94	8.13
-----	-----	87898-3162	-----	-----	-----	31	----	2	78.74	76.20	11.94	8.13
-----	-----	87898-3164	-----	-----	-----	31	----	4	78.74	76.20	11.94	8.13
-----	-----	87898-3165	-----	-----	-----	31	----	5	78.74	76.20	11.94	8.13
-----	-----	87898-3166	-----	-----	-----	31	----	6	78.74	76.20	11.94	8.13
-----	-----	87898-3261	-----	-----	-----	32	----	1	81.28	78.74	11.94	8.13
-----	-----	87898-3262	-----	-----	-----	32	----	2	81.28	78.74	11.94	8.13
-----	-----	87898-3264	-----	-----	-----	32	----	4	81.28	78.74	11.94	8.13
-----	-----	87898-3265	-----	-----	-----	32	----	5	81.28	78.74	11.94	8.13
-----	-----	87898-3266	-----	-----	-----	32	----	6	81.28	78.74	11.94	8.13
-----	-----	87898-3361	-----	-----	-----	33	----	1	83.82	81.28	11.94	8.13
-----	-----	87898-3362	-----	-----	-----	33	----	2	83.82	81.28	11.94	8.13
-----	-----	87898-3364	-----	-----	-----	33	----	4	83.82	81.28	11.94	8.13
-----	-----	87898-3365	-----	-----	-----	33	----	5	83.82	81.28	11.94	8.13
-----	-----	87898-3366	-----	-----	-----	33	----	6	83.82	81.28	11.94	8.13

B

UPDATE SHT 3 EC NO: S2013-0894 DRWN:ATSEE 2013/06/25 CH'KD:SKANG 2013/08/19 APPR:MLONG 2013/08/19	REV B6	QUALITY SYMBOLS	GENERAL TOLERANCES (UNLESS SPECIFIED)	DIMENSION STYLE	SCALE	DESIGN UNITS	THIRD ANGLE PROJECTION	
		$\nabla F=0$ $\nabla F=0$ $\nabla F=0$	mm INCH 4 PLACES ± --- ± --- 3 PLACES ± --- ± --- 2 PLACES ± 0.2 ± --- 1 PLACE ± --- ± --- 0 PLACE ± ±	MM ONLY	NTS	METRIC	DRAWN BY: SKL IM01 DATE: 2005/10/26 CHECKED BY: NAGESHKN DATE: 2005/10/30 APPROVED BY: PTL IM DATE: 2005/11/07	TITLE CUSTOM HEADER 2.54MM PITCH SINGLE ROW SINGLE WAFER SMT HEADER
		ANGULAR ± 3 °	DRAFT WHERE APPLICABLE MUST REMAIN WITHIN DIMENSIONS	SEE TABLE	MATERIAL NO.	DOCUMENT NO.	SHEET NO.	
				THIS DRAWING CONTAINS INFORMATION THAT IS PROPRIETARY TO MOLEX INCORPORATED AND SHOULD NOT BE USED WITHOUT WRITTEN PERMISSION		SD-87898-003		14 OF 17

PACKAGING OPTION PART NO.										CKT SIZE	VOID POSITION	PLATING TYPE	DIMENSION			
TRY WITHOUT CAP	TRY WITH CAP	TUBE WITHOUT CAP	TUBE WITH CAP	TAPE & REEL WITHOUT CAP	TAPE & REEL WITH CAP	A	B	F	M							
-----	-----	87898-3461	-----	-----	-----	34	-----	1	86.36	83.82	11.94	8.13				
-----	-----	87898-3462	-----	-----	-----	34	-----	2	86.36	83.82	11.94	8.13				
-----	-----	87898-3464	-----	-----	-----	34	-----	4	86.36	83.82	11.94	8.13				
-----	-----	87898-3465	-----	-----	-----	34	-----	5	86.36	83.82	11.94	8.13				
-----	-----	87898-3466	-----	-----	-----	34	-----	6	86.36	83.82	11.94	8.13				
-----	-----	87898-3561	-----	-----	-----	35	-----	1	88.90	86.36	11.94	8.13				
-----	-----	87898-3562	-----	-----	-----	35	-----	2	88.90	86.36	11.94	8.13				
-----	-----	87898-3564	-----	-----	-----	35	-----	4	88.90	86.36	11.94	8.13				
-----	-----	87898-3565	-----	-----	-----	35	-----	5	88.90	86.36	11.94	8.13				
-----	-----	87898-3566	-----	-----	-----	35	-----	6	88.90	86.36	11.94	8.13				
-----	-----	87898-3661	-----	-----	-----	36	-----	1	91.44	88.90	11.94	8.13				
-----	-----	87898-3662	-----	-----	-----	36	-----	2	91.44	88.90	11.94	8.13				
-----	-----	87898-3664	-----	-----	-----	36	-----	4	91.44	88.90	11.94	8.13				
-----	-----	87898-3665	-----	-----	-----	36	-----	5	91.44	88.90	11.94	8.13				
-----	-----	87898-3666	-----	-----	-----	36	-----	6	91.44	88.90	11.94	8.13				

UPDATE SHT 3 EC NO: S2013-0894 DRW:ATSEE 2013/06/25 CHKD:SKANG 2013/08/19 APPR:MLONG 2013/08/19	REV B6	QUALITY SYMBOLS	GENERAL TOLERANCES (UNLESS SPECIFIED)	DIMENSION STYLE MM ONLY	SCALE NTS	DESIGN UNITS METRIC	THIRD ANGLE PROJECTION		
		$\nabla_A = 0$ $\nabla_B = 0$ $\nabla_F = 0$	mm INCH 4 PLACES ± --- ± --- 3 PLACES ± --- ± --- 2 PLACES ± 0.2 ± --- 1 PLACE ± --- ± --- 0 PLACE ± ±	DRAWN BY: SKL IM01 DATE: 2005/10/26 CHECKED BY: NAGESHKN DATE: 2005/10/30 APPROVED BY: PTL IM DATE: 2005/11/07	TITLE	CUSTOM HEADER 2.54MM PITCH SINGLE ROW SINGLE WAFER SMT HEADER			
		ANGULAR ± 3° DRAFT WHERE APPLICABLE MUST REMAIN WITHIN DIMENSIONS	MATERIAL NO. SEE TABLE	DOCUMENT NO. SD-87898-003			SHEET NO. 15 OF 17		
		THIS DRAWING CONTAINS INFORMATION THAT IS PROPRIETARY TO MOLEX INCORPORATED AND SHOULD NOT BE USED WITHOUT WRITTEN PERMISSION							

PACKAGING OPTION PART NO.

TRY WITHOUT CAP	TRY WITH CAP	TUBE WITHOUT CAP	TUBE WITH CAP	TAPE & REEL WITHOUT CAP	TAPE & REEL WITH CAP	CKT SIZE	VOID POSITION	PLATING TYPE	DIMENSION			
									A	B	F	M
-----	-----	87898-3761	-----	-----	-----	37	----	1	93.98	91.44	11.94	8.13
-----	-----	87898-3762	-----	-----	-----	37	----	2	93.98	91.44	11.94	8.13
-----	-----	87898-3764	-----	-----	-----	37	----	4	93.98	91.44	11.94	8.13
-----	-----	87898-3765	-----	-----	-----	37	----	5	93.98	91.44	11.94	8.13
-----	-----	87898-3766	-----	-----	-----	37	----	6	93.98	91.44	11.94	8.13
-----	-----	87898-3861	-----	-----	-----	38	----	1	96.52	93.98	11.94	8.13
-----	-----	87898-3862	-----	-----	-----	38	----	2	96.52	93.98	11.94	8.13
-----	-----	87898-3864	-----	-----	-----	38	----	4	96.52	93.98	11.94	8.13
-----	-----	87898-3865	-----	-----	-----	38	----	5	96.52	93.98	11.94	8.13
-----	-----	87898-3866	-----	-----	-----	38	----	6	96.52	93.98	11.94	8.13
-----	-----	87898-3961	-----	-----	-----	39	----	1	99.06	96.52	11.94	8.13
-----	-----	87898-3962	-----	-----	-----	39	----	2	99.06	96.52	11.94	8.13
-----	-----	87898-3964	-----	-----	-----	39	----	4	99.06	96.52	11.94	8.13
-----	-----	87898-3965	-----	-----	-----	39	----	5	99.06	96.52	11.94	8.13
-----	-----	87898-3966	-----	-----	-----	39	----	6	99.06	96.52	11.94	8.13

UPDATE SHT 3 EC NO: S2013-0894 DRWN:ATSEE 2013/06/25 CHKD:SKANG 2013/08/19 APPR:MLONG 2013/08/19	QUALITY SYMBOLS ▽=0 ▽=0 ▽=0	GENERAL TOLERANCES (UNLESS SPECIFIED)		DIMENSION STYLE MM ONLY		SCALE NTS	DESIGN UNITS METRIC	THIRD ANGLE PROJECTION		
				DRAWN BY SKL IM01	DATE 2005/10/26	TITLE CUSTOM HEADER 2.54MM PITCH SINGLE ROW SINGLE WAFER SMT HEADER				
				CHECKED BY NAGESHKN	DATE 2005/10/30	APPROVED BY PTL IM				
				MATERIAL NO. SEE TABLE		DOCUMENT NO. SD-87898-003				
				ANGULAR ± 3 °		SHEET NO. 16 OF 17				

PACKAGING OPTION PART NO.

TRY WITHOUT CAP	TRY WITH CAP	TUBE WITHOUT CAP	TUBE WITH CAP	TAPE & REEL WITHOUT CAP	TAPE & REEL WITH CAP	CKT SIZE	VOID POSITION	PLATING TYPE	DIMENSION			
									A	B	F	M
-----	-----	87898-4061	-----	-----	-----	40	-----	1	101.6	99.06	11.94	8.13
-----	-----	87898-4062	-----	-----	-----	40	-----	2	101.6	99.06	11.94	8.13
-----	-----	87898-4064	-----	-----	-----	40	-----	4	101.6	99.06	11.94	8.13
-----	-----	87898-4065	-----	-----	-----	40	-----	5	101.6	99.06	11.94	8.13
-----	-----	87898-4066	-----	-----	-----	40	-----	6	101.6	99.06	11.94	8.13

UPDATE SHT 3 EC NO: S2013-0894 DRWN:ATSEE 2013/06/25 CHKD:SKANG 2013/08/19 APPR:MLONG 2013/08/19	QUALITY SYMBOLS $\nabla_A = 0$ $\nabla_G = 0$ $\nabla_F = 0$	GENERAL TOLERANCES (UNLESS SPECIFIED) mm INCH 4 PLACES ± --- ± --- 3 PLACES ± --- ± --- 2 PLACES ± 0.2 ± --- 1 PLACE ± --- ± --- 0 PLACE ± ±	DIMENSION STYLE MM ONLY DRAWN BY: SKL IM01 DATE: 2005/10/26 CHECKED BY: DATE: NAGESHKN 2005/10/30 APPROVED BY: DATE: PTL IM 2005/11/07	SCALE: NTS DESIGN UNITS: METRIC THIRD ANGLE PROJECTION	TITLE CUSTOM HEADER 2.54MM PITCH SINGLE ROW SINGLE WAFER SMT HEADER
	ANGULAR ± 3 ° DRAFT WHERE APPLICABLE MUST REMAIN WITHIN DIMENSIONS	MATERIAL NO. SEE TABLE	DOCUMENT NO. SD-87898-003	SHEET NO. 17 OF 17	
	SIZE: A3 THIS DRAWING CONTAINS INFORMATION THAT IS PROPRIETARY TO MOLEX INCORPORATED AND SHOULD NOT BE USED WITHOUT WRITTEN PERMISSION	molex			