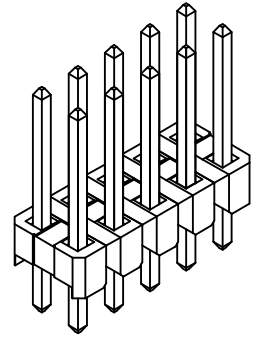
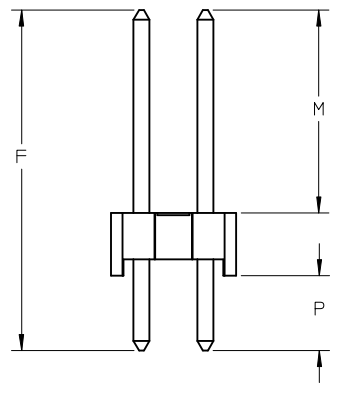
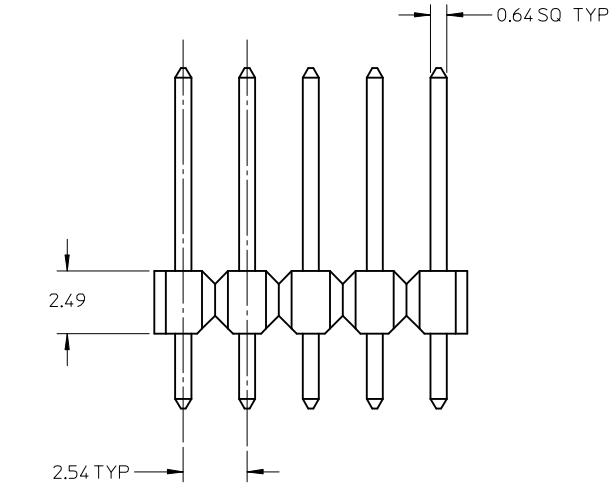


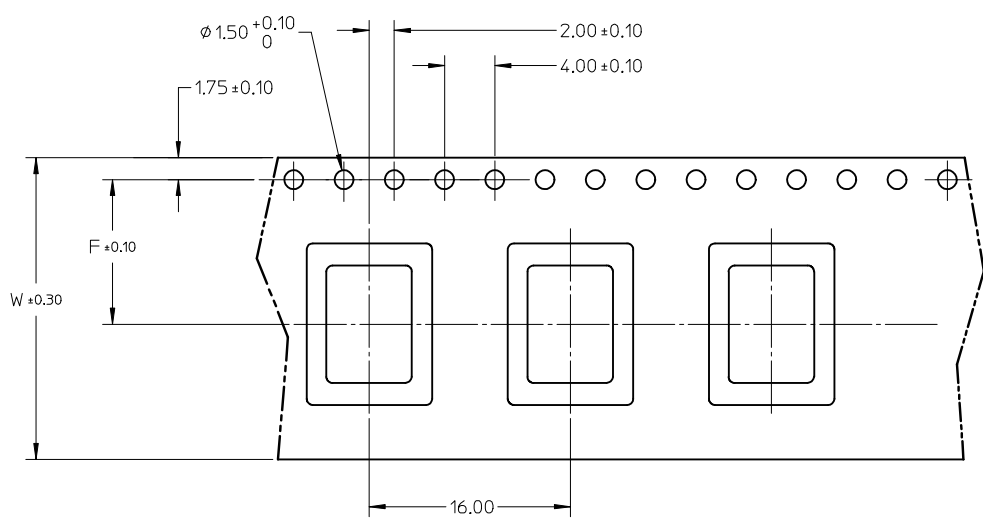
NOTES:

1. MATERIAL:
 - HOUSING: GLASS FILLED, PA6T, UL94V-0,
 - COLOR: BLACK
 - TERMINAL: 0.64 SQ PIN, COPPER ALLOY
2. PLATING TYPE:
 - (1) : GOLD FLASH OVER
50 MICRO INCHES MIN. NICKEL OVERALL.
 - (2) : 1 MICRO INCHES MIN. GOLD PLATE ON CONTACT AND
75 MICRO INCHES MIN. TIN ON SOLDERTAIL OVER
50 MICRO INCHES MIN. NICKEL OVERALL.
 - (3) : 10 MICRO INCHES MIN. GOLD PLATE ON CONTACT AND
75 MICRO INCHES MIN. TIN ON SOLDERTAIL OVER
50 MICRO INCHES MIN. NICKEL OVERALL.
 - (4) : 15 MICRO INCHES MIN. GOLD PLATE ON CONTACT AND
75 MICRO INCHES MIN. TIN ON SOLDERTAIL OVER
50 MICRO INCHES MIN. NICKEL OVERALL.
 - (5) : 30 MICRO INCHES MIN. GOLD PLATE ON CONTACT AND
75 MICRO INCHES MIN. TIN ON SOLDERTAIL OVER
50 MICRO INCHES MIN. NICKEL OVERALL.
 - (6) : 100 MICRO INCHES MIN. TIN IN SELECTED AREA OVER
50 MICRO INCHES MIN. NICKEL OVERALL.
3. PIN PUSHOUT FORCE: 1KG MIN IN EITHER DIRECTION
4. THE ABOVE 10 CKT IS FOR ILLUSTRATION PURPOSE ONLY.
5. FOR PACKAGING OPTION PLEASE REFER TO THE TABLE.



CN-0157, +879140629 EC NO: S2012-0935 DRWN:ATSEE 2012/06/13 CH'KD:SKANG 2012/10/04 APPR:MLONG 2012/10/05	QUALITY SYMBOLS	GENERAL TOLERANCES (UNLESS SPECIFIED)		DIMENSION STYLE MM ONLY		SCALE NTS	DESIGN UNITS METRIC	THIRD ANGLE PROJECTION
	$\nabla_{\text{A}}=0$	4 PLACES	mm	INCH	DRAWN BY	DATE	TITLE	
	$\nabla_{\text{E}}=0$	3 PLACES	± ---	± ---	SKLIM01	2005/09/07	SALES DRAWING 2.54MM DUAL ROW HEADER WITH STANDOFF, T/H	
	$\nabla_{\text{F}}=0$	2 PLACES	± 0.20	± ---	CHECKED BY	DATE	molex	
		1 PLACE	± ---	± ---	BOKOK	2005/09/17	DOCUMENT NO.	
		0 PLACE	±	±	APPROVED BY	DATE	SD-87914-022	
			ANGULAR ± 3 °		MLONG	2010/09/06	SHEET NO.	
			DRAFT WHERE APPLICABLE MUST REMAIN WITHIN DIMENSIONS		MATERIAL NO.		1 OF 3	
					SEE TABLE		THIS DRAWING CONTAINS INFORMATION THAT IS PROPRIETARY TO MOLEX INCORPORATED AND SHOULD NOT BE USED WITHOUT WRITTEN PERMISSION	
A6	REV			SIZE A3				

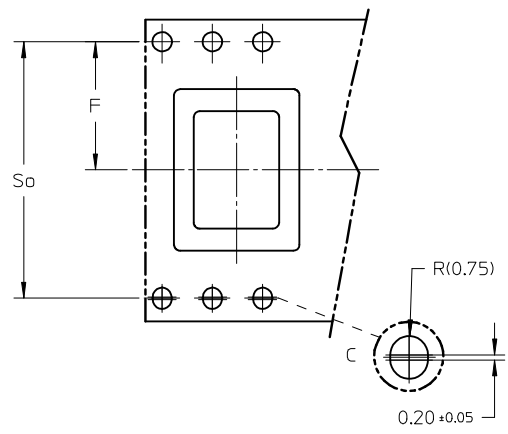
FOR TAPE WIDTH WITH SINGLE ROW SPROCKET HOLES.



CUSTOMER
PULL OUT DIRECTION

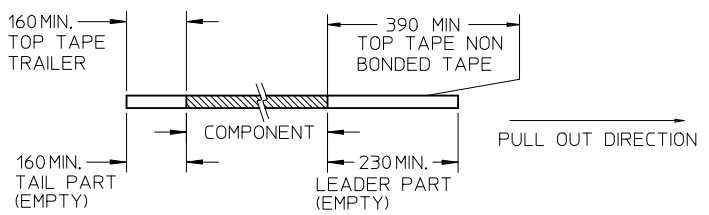
P/N	CKT SIZE	F	So	W	QTY/ REEL
87914-0627	06	11.50	-	24.00	250
87914-0827	08	11.50	-	24.00	250
87914-0828	08	11.50	-	24.00	TBA

FOR TAPE WIDTH WITH 2 ROWS OF SPROCKET HOLES.



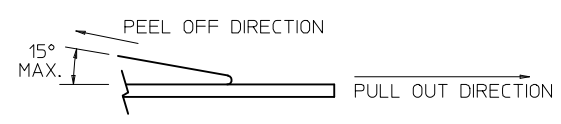
NOTES:

1. LEADER AND TRAILER TAPE



VIEW OF PART ORIENTATION
IN TAPE & REEL

2. PEELING OFF FORCE OF THE TOP TAPE: 20 - 80gf.
(PEELING DIRECTION AS SHOWN IN FOLLOWING FIGURE)



- 3. TAPE AND REEL SPECIFICATION IS AS PER EIA-481.
- 4. THE TAPE IS TREATED FOR ANTI-STATIC.

CN-0157, +879140629 EC NO: S2012-0935 DRW: NAI SEE CHKD: SKANG APPR: MLONG	2012/06/13	2012/10/04	2012/10/05
	REV	DESCRIPTION	QUALITY SYMBOLS
	A6		$\nabla_A = 0$ $\nabla_B = 0$ $\nabla_C = 0$

GENERAL TOLERANCES (UNLESS SPECIFIED)	
mm	INCH
4 PLACES ± ---	± ---
3 PLACES ± ---	± ---
2 PLACES ± 0.20	± ---
1 PLACE ± ---	± ---
0 PLACE ±	±
ANGULAR ± 3°	
DRAFT WHERE APPLICABLE MUST REMAIN WITHIN DIMENSIONS	

DIMENSION STYLE	
MM ONLY	
DRAWN BY	DATE
SKLIM01	2005/09/07
CHECKED BY	DATE
BOKOK	2005/09/17
APPROVED BY	DATE
MLONG	2010/09/06
MATERIAL NO.	
SEE TABLE	
SIZE	
A3	

SCALE	DESIGN UNITS	THIRD ANGLE PROJECTION
NTS	METRIC	
TITLE		
SALES DRAWING 2.54MM DUAL ROW HEADER WITH STANDOFF, T/H		
molex		
MATERIAL NO.	DOCUMENT NO.	SHEET NO.
	SD-87914-022	2 OF 3
THIS DRAWING CONTAINS INFORMATION THAT IS PROPRIETARY TO MOLEX INCORPORATED AND SHOULD NOT BE USED WITHOUT WRITTEN PERMISSION		

10 9 8 7 6 5 4 3 2 1

F	PART NO FOR TRAY PACKAGING	PART NO. FOR TUBE WITHOUT CAP PACKAGING	PART NO. FOR TUBE WITH CAP PACKAGING	PART NO. FOR TAPE & REEL WITHOUT CAP PACKAGING	PART NO. FOR TAPE & REEL WITH CAP PACKAGING	CKT SIZE	VOID POSITION	PLATING TYPE	DIMENSIONS					
									A	B	F	M	P	G
	87914-0109	-----	-----	-----	-----	50	----	3	63.50	60.96	12.15	6.98	2.68	-
	-----	-----	-----	-----	87914-0627	6	----	6	7.62	5.08	13.55	8.08	2.98	14.70
	87914-0629	-----	-----	-----	-----	6	----	6	10.16	7.62	16.26	10.82	2.95	-
	-----	-----	-----	-----	87914-0827	8	----	6	10.16	7.62	13.55	8.08	2.98	14.70
	-----	-----	-----	-----	87914-0828	8	----	6	10.16	7.62	17.53	12.80	2.24	18.68
	87914-3638	-----	-----	-----	-----	36	----	6	45.72	43.18	12.10	7.01	2.60	-
E	87914-5031	-----	-----	-----	-----	50	----	1	63.50	60.96	12.15	6.98	2.68	-
	87914-5032	-----	-----	-----	-----	50	----	2	63.50	60.96	12.15	6.98	2.68	-
	87914-5034	-----	-----	-----	-----	50	----	4	63.50	60.96	12.15	6.98	2.68	-
	87914-5035	-----	-----	-----	-----	50	----	5	63.50	60.96	12.15	6.98	2.68	-
	87914-5036	-----	-----	-----	-----	50	----	6	63.50	60.96	12.15	6.98	2.68	-

D
C
B

CN-0157, +879140629 EC NO: S2012-0935 DRW:ATSEE 2012/06/13 CHKD:SKANG 2012/10/04 APPR:MLONG 2012/10/05	REV DESCRIPTION A6	QUALITY SYMBOLS	GENERAL TOLERANCES (UNLESS SPECIFIED)	DIMENSION STYLE	SCALE	DESIGN UNITS	THIRD ANGLE PROJECTION
		$\nabla_A = 0$ $\nabla_G = 0$ $\nabla_P = 0$	mm INCH 4 PLACES ± --- ± --- 3 PLACES ± --- ± --- 2 PLACES ± 0.20 ± --- 1 PLACE ± --- ± --- 0 PLACE ± ±	MM ONLY	NTS	METRIC	TITLE SALES DRAWING 2.54MM DUAL ROW HEADER WITH STANDOFF, T/H molex
		ANGULAR ± 3 ° DRAFT WHERE APPLICABLE MUST REMAIN WITHIN DIMENSIONS	DRAWN BY SKL I M 0 1 CHECKED BY BOKOK APPROVED BY MLONG DATE 2005/09/07 DATE 2005/09/17 DATE 2010/09/06	MATERIAL NO. SEE TABLE	DOCUMENT NO. SD-87914-022	SHEET NO. 3 OF 3	
		THIS DRAWING CONTAINS INFORMATION THAT IS PROPRIETARY TO MOLEX INCORPORATED AND SHOULD NOT BE USED WITHOUT WRITTEN PERMISSION					

ib_frame_A3_P_AM_T Rev. G 2012/01/11 9 8 7 6 5 4 3 2 1