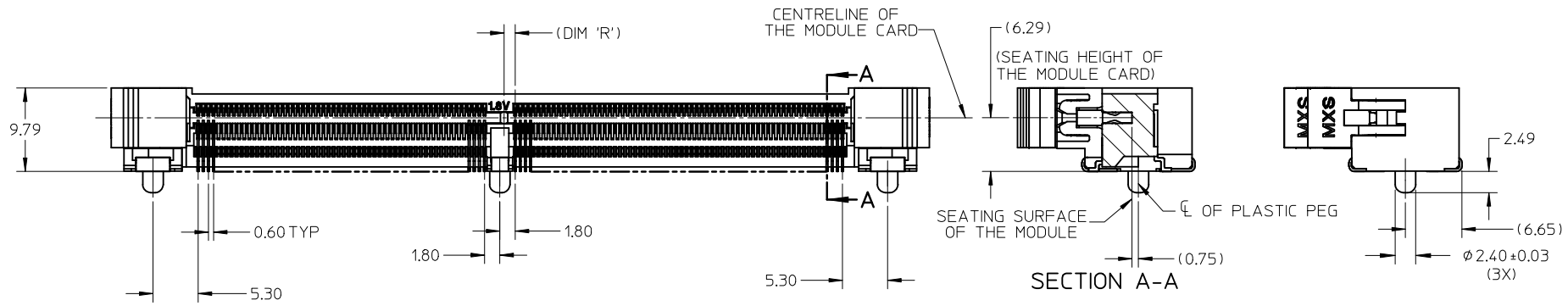


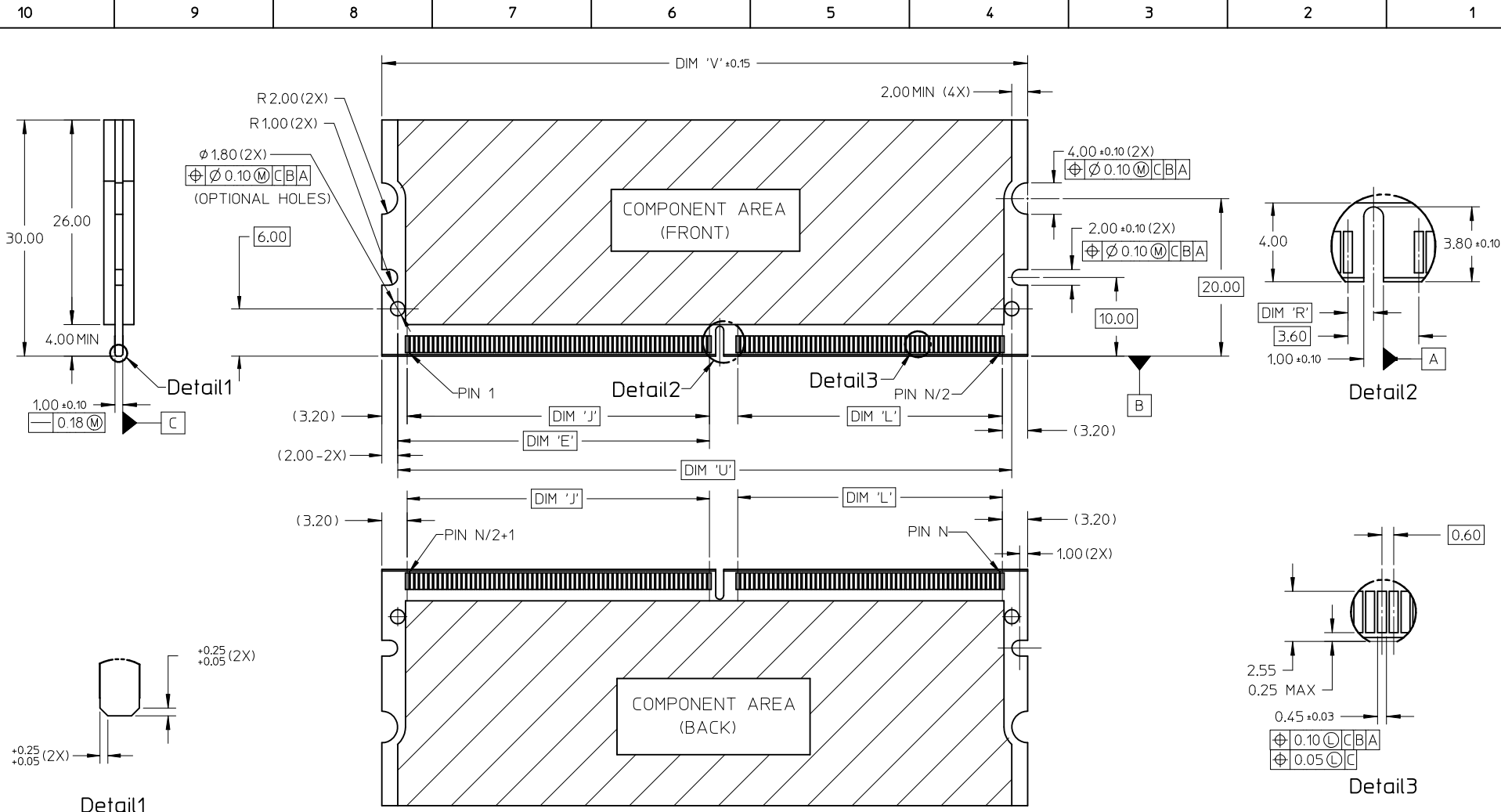
NOTES :

- 1) MATERIAL :  
HOUSING : HIGH TEMPERATURE LIQUID CRYSTAL POLYMER, UL94V-0  
COLOUR : BLACK  
CONTACTS : COPPER ALLOY  
LATCHES : HIGH TEMPERATURE NYLON, UL94V-0  
COLOUR : NATURAL (OFF-WHITE)
- 2) FINISH :  
CONTACT AREA : 0.76 MICROMETER (30 MICROINCH) MIN GOLD OVER  
1.25 MICROMETER (50 MICROINCH) MIN NICKEL  
SOLDER LEADS : 2.54 MICROMETER (100 MICROINCH) MIN TIN OVER  
1.25 MICROMETER (50 MICROINCH) MIN NICKEL
- 3) ACCEPTS 1.0 mm THICK MEMORY MODULE PER JEDEC MO-244 FOR 244 CKTS AND MO-258 FOR 200 CKTS.
- 4) PRODUCT SPECIFICATION : PS-87918-001
- 5) PACKAGING SPECIFICATION: PRODUCT SHALL BE PACKED IN TRAY. SEE TABLE ON SHEET 4.

- △6) DATE CODE SHALL BE MARKED LEGIBLY AS SHOWN :YYDDD  
 △7) PART NUMBER SHALL BE MARKED LEGIBLY AS SHOWN.  
 87918-XXXX(REFER TO TABLE)

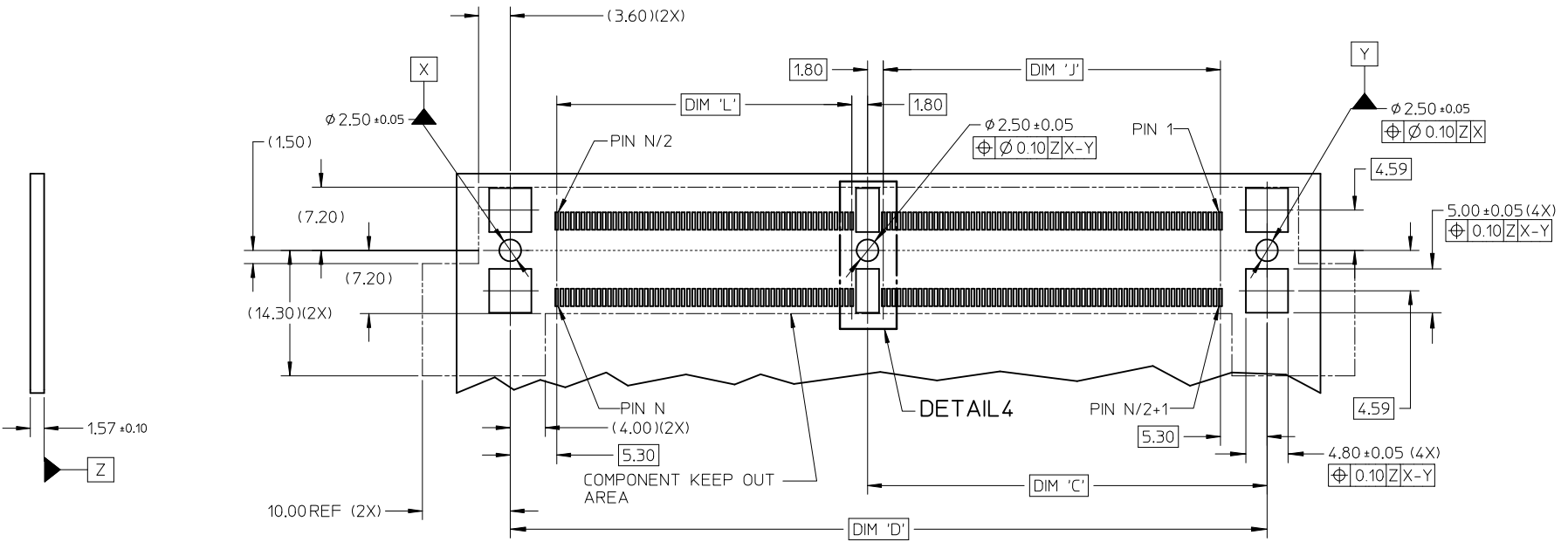


ADDED PKG SPEC EC NO: S2012-0054 DRWN: JAKEHEW 2011/07/15 CHKD: CCTEH 2011/08/03 APPR: SHLENI 2011/08/23	DESCRIPTION REV	QUALITY SYMBOLS	GENERAL TOLERANCES (UNLESS SPECIFIED)		DIMENSION STYLE MM ONLY		SCALE NTS	DESIGN UNITS METRIC	THIRD ANGLE PROJECTION	
		$F_A = 0$	mm	INCH	DRAWN BY	DATE	TITLE			
		$F_C = 0$	4 PLACES ± --- ± ---	EDMUND	2004/08/17	MINI DIMM, 0.60MM PITCH				
		$F_B = 0$	3 PLACES ± --- ± ---	CHECKED BY	DATE	244/200 CKTS				
	2 PLACES ± 0.13 ± ---	SRAMESH	2005/01/25	STANDARD R/A						
	1 PLACE ± 0.25 ± ---	APPROVED BY	DATE	MOLEX INCORPORATED MOLEX INCORPORATED						
	ANGULAR ± 1 °	GGLEE	2005/01/25							
	DRAFT WHERE APPLICABLE MUST REMAIN WITHIN DIMENSIONS	MATERIAL NO.	SEE TABLE		DOCUMENT NO.	SD-87918-001		SHEET NO.	1 OF 4	
		SIZE	THIS DRAWING CONTAINS INFORMATION THAT IS PROPRIETARY TO MOLEX INCORPORATED AND SHOULD NOT BE USED WITHOUT WRITTEN PERMISSION							

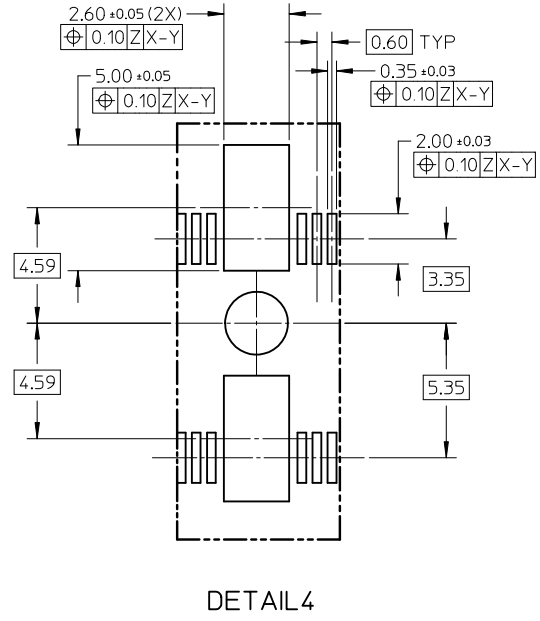


ADDED PKG SPEC EC NO: S2012-0054 DRWN: JAKEEWEW 2011/07/15 CHKD: CCTEH 2011/08/03 APPR: SILENI 2011/08/23	QUALITY SYMBOLS $F_A=0$ $F_C=0$ $F_P=0$	GENERAL TOLERANCES (UNLESS SPECIFIED) <table border="1"> <thead> <tr> <th></th> <th>mm</th> <th>INCH</th> </tr> </thead> <tbody> <tr> <td>4 PLACES</td> <td>± ---</td> <td>± ---</td> </tr> <tr> <td>3 PLACES</td> <td>± ---</td> <td>± ---</td> </tr> <tr> <td>2 PLACES</td> <td>± 0.13</td> <td>± ---</td> </tr> <tr> <td>1 PLACE</td> <td>± 0.25</td> <td>± ---</td> </tr> </tbody> </table>		mm	INCH	4 PLACES	± ---	± ---	3 PLACES	± ---	± ---	2 PLACES	± 0.13	± ---	1 PLACE	± 0.25	± ---	DIMENSION STYLE <b>MM ONLY</b>	SCALE <b>NTS</b>	DESIGN UNITS <b>METRIC</b>	THIRD ANGLE PROJECTION
		mm	INCH																		
	4 PLACES	± ---	± ---																		
	3 PLACES	± ---	± ---																		
2 PLACES	± 0.13	± ---																			
1 PLACE	± 0.25	± ---																			
	DRAFT WHERE APPLICABLE MUST REMAIN WITHIN DIMENSIONS	DIMENSION TABLE <b>SEE TABLE</b>	DRAWN BY EDMUND	DATE 2004/08/17	TITLE <b>MINI DIMM, 0.60MM PITCH          244/200 CKTS          STANDARD R/A</b>																
			CHECKED BY SRRAMESH	DATE 2005/01/25	MOLEX INCORPORATED																
			APPROVED BY GGLEE	DATE 2005/01/25	DOCUMENT NO. <b>SD-87918-001</b>	SHEET NO. <b>2 OF 4</b>															

THIS DRAWING CONTAINS INFORMATION THAT IS PROPRIETARY TO MOLEX INCORPORATED AND SHOULD NOT BE USED WITHOUT WRITTEN PERMISSION



RECOMMENDED PCB LAYOUT



ADDED PKG SPEC EC NO: S2012-0054 DRWN: JAKE NEW 2011/07/15 CHKD: CCTEH 2011/08/03 APPR: SHLENI 2011/08/23	QUALITY SYMBOLS $\nabla_{F_A} = 0$ $\nabla_{F_B} = 0$ $\nabla_{F_C} = 0$	GENERAL TOLERANCES (UNLESS SPECIFIED)		DIMENSION STYLE MM ONLY		SCALE NTS	DESIGN UNITS METRIC	THIRD ANGLE PROJECTION	
			mm	INCH	DRAWN BY EDMUND	DATE 2004/08/17	TITLE MINI DIMM, 0.60MM PITCH 244/200 CKTS STANDARD R/A		
		4 PLACES	± ---	± ---	CHECKED BY SRRAMESH	DATE 2005/01/25	MOLEX INCORPORATED DOCUMENT NO. SD-87918-001 SHEET NO. 3 OF 4		
		3 PLACES	± ---	± ---	APPROVED BY GGLEE	DATE 2005/01/25			
2 PLACES	± 0.13	± ---	MATERIAL NO.		SEE TABLE				
1 PLACE	± 0.25	± ---	DRAFT WHERE APPLICABLE MUST REMAIN WITHIN DIMENSIONS		THIS DRAWING CONTAINS INFORMATION THAT IS PROPRIETARY TO MOLEX INCORPORATED AND SHOULD NOT BE USED WITHOUT WRITTEN PERMISSION				
ANGULAR ± 1 °									

F

F

E

E

D

D

C

C

B

B

A

A

PART NUMBER	CKT SIZE 'N'	MODULE CARD	VOLTAGE KEY	DIM 'R'	DIM 'E'	DIM 'J'	DIM 'L'	DIM 'A'	DIM 'S'	DIM 'T'	DIM 'U'	DIM 'V'	DIM 'C'	DIM 'D'	DIM 'B'	PACKAGING SPECIFICATION
87918-0001	244	DDR2	1.8 V	1.30	39.60	38.40	33.60	93.0	96.0	106.2	78.00	82.00	45.50	86.20	75.60	PK-87918-002
87918-0301		DDR3	1.5 V	2.30												
87918-0201	200	DDR2	1.8 V	1.30	24.60	23.40	35.40	79.8	82.8	93.0	64.80	68.80	30.50	73.00	62.40	PK-87918-001
87918-0202		DDR	2.5 V	2.30												

ADDED PKG SPEC EC NO: S2012-0054 DRWN: JAKEEWEW CHKD: CCTEH APPR: SHLENI	2011/07/15 2011/08/03 2011/08/23	DESCRIPTION REV	QUALITY SYMBOLS	GENERAL TOLERANCES (UNLESS SPECIFIED)	DIMENSION STYLE	SCALE	DESIGN UNITS	THIRD ANGLE PROJECTION		
			$F_A=0$ $F_C=0$ $F_P=0$	mm    INCH 4 PLACES ± --- ± --- 3 PLACES ± --- ± --- 2 PLACES ± 0.13 ± --- 1 PLACE ± 0.25 ± --- ANGULAR ± 1°	MM ONLY	NTS	METRIC	DRAWN BY: EDMUND CHECKED BY: SRRAMESH APPROVED BY: GGLEE	DATE: 2004/08/17 DATE: 2005/01/25 DATE: 2005/01/25	TITLE: MINI DIMM, 0.60MM PITCH 244/200 CKTS STANDARD R/A MOLEX INCORPORATED
				DRAFT WHERE APPLICABLE MUST REMAIN WITHIN DIMENSIONS	SEE TABLE			MATERIAL NO. DOCUMENT NO.	SHEET NO. 4 OF 4	
			B3				SIZE: A3 THIS DRAWING CONTAINS INFORMATION THAT IS PROPRIETARY TO MOLEX INCORPORATED AND SHOULD NOT BE USED WITHOUT WRITTEN PERMISSION		SD-87918-001	