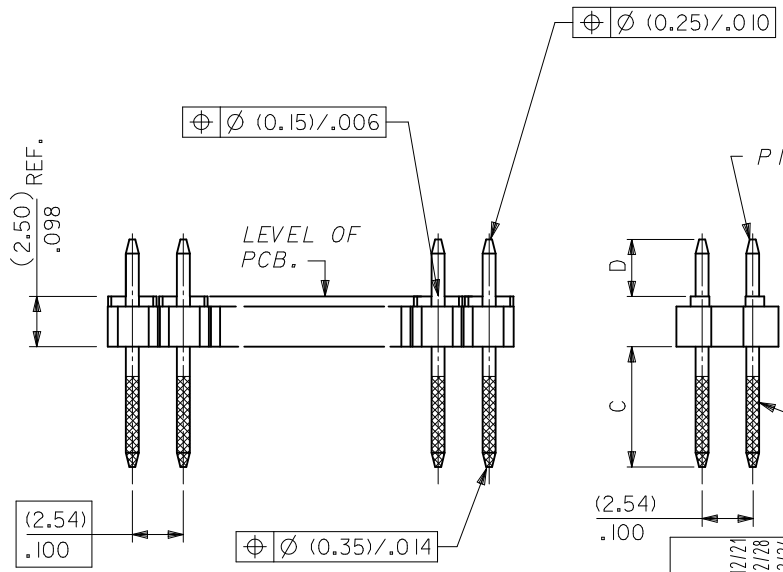


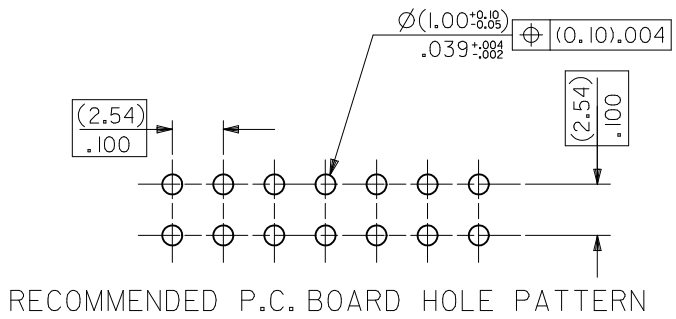
WAFER: 15% GLASS FILLED POLYESTER
TO UL 94V-0.
COLOUR: BLACK.

CKT SIZE	DIM. "A"		DIM. "B" ^(+0.20) / _{+.008}		CKT SIZE	DIM. "A"		DIM. "B" ^(+0.20) / _{+.008}	
2X 1			(2.54)	.100	2X21	(50.80)	2.000	(53.34)	2.100
2X 2	(2.54)	.100	(5.08)	.200	2X22	(53.34)	2.100	(55.88)	2.200
2X 3	(5.08)	.200	(7.62)	.300	2X23	(55.88)	2.200	(58.42)	2.300
2X 4	(7.62)	.300	(10.16)	.400	2X24	(58.42)	2.300	(60.96)	2.400
2X 5	(10.16)	.400	(12.70)	.500	2X25	(60.96)	2.400	(63.50)	2.500
2X 6	(12.70)	.500	(15.24)	.600	2X26	(63.50)	2.500	(66.04)	2.600
2X 7	(15.24)	.600	(17.78)	.700	2X27	(66.04)	2.600	(68.58)	2.700
2X 8	(17.78)	.700	(20.32)	.800	2X28	(68.58)	2.700	(71.12)	2.800
2X 9	(20.32)	.800	(22.86)	.900	2X29	(71.12)	2.800	(73.66)	2.900
2X10	(22.86)	.900	(25.40)	1.000	2X30	(73.66)	2.900	(76.20)	3.000
2X11	(25.40)	1.000	(27.94)	1.100	2X31	(76.20)	3.000	(78.74)	3.100
2X12	(27.94)	1.100	(30.48)	1.200	2X32	(78.74)	3.100	(81.28)	3.200
2X13	(30.48)	1.200	(33.02)	1.300	2X33	(81.28)	3.200	(83.82)	3.300
2X14	(33.02)	1.300	(35.56)	1.400	2X34	(83.82)	3.300	(86.36)	3.400
2X15	(35.56)	1.400	(38.10)	1.500	2X35	(86.36)	3.400	(88.90)	3.500
2X16	(38.10)	1.500	(40.64)	1.600	2X36	(88.90)	3.500	(91.44)	3.600
2X17	(40.64)	1.600	(43.18)	1.700	2X37	(91.44)	3.600	(93.98)	3.700
2X18	(43.18)	1.700	(45.72)	1.800	2X38	(93.98)	3.700	(96.52)	3.800
2X19	(45.72)	1.800	(48.26)	1.900	2X39	(96.52)	3.800	(99.06)	3.900
2X20	(48.26)	1.900	(50.80)	2.000	2X40	(99.06)	3.900	(101.60)	4.000



PINS: (0.65)/.0255 SQ.
BRASS WIRE.
PLATED AS PER
SHEETS 2 TO 6.

EXTENT OF
GOLD PLATE



- NOTES
- PLEASE REFER TO SHT 2 FOR PLATING DETAILS.
 - PLEASE REFER TO SHT 3-8 FOR DIMENSIONS C & D.
 - RECOMMENDED PCB THICKNESS 1.60MM
 - PRODUCT SPECIFICATION: PS-99020-0001

CHANGE DOC. NO
EC NO: S2012-0490
DRAWN/TSE 2011/12/21
CHKD:SKANG 2011/12/28
APPR:MLONG 2012/02/24

QUALITY SYMBOLS	DESCRIPTION
$\nabla F=0$	
$\nabla E=0$	
$\nabla P=0$	

GENERAL TOLERANCES (UNLESS SPECIFIED)	DIMENSION STYLE	
	MM ONLY	SCALE NTS
4 PLACES	± ---	± ---
3 PLACES	± ---	± ---
2 PLACES	± 0.20	± ---
1 PLACE	± ---	± ---
ANGULAR ± 3°		
DRAFT WHERE APPLICABLE MUST REMAIN WITHIN DIMENSIONS		

DESIGN UNITS	THIRD ANGLE PROJECTION
METRIC	

DRAWN BY: DB		DATE: 1987/07/16	TITLE: C GRID III DUAL ROW STRAIGHT PIN HEADER
CHECKED BY: DB		DATE: 1987/07/16	
APPROVED BY: MLONG		DATE: 2012/02/24	MOLEX INCORPORATED
MATERIAL NO.		DOCUMENT NO.	
SEE TABLE		SD-90131-001	SHEET NO. 1 OF 8

PLATING OPTIONS	PLATING DESCRIPTION
A	3.00µm MIN TIN OVER 1.27MIN NICKEL OVERALL
B	0.38µm MIN GOLD IN SELECTED AREA AND 3.00µm MIN TIN IN SELECTED AREA AND 1.30µm MIN NICKEL OVERALL
C	0.76µm MIN GOLD IN SELECTED AREA AND 3.00µm MIN TIN IN SELECTED AREA AND 1.30µm MIN NICKEL OVERALL
D	0.05-0.10µm GOLD FLASH IN SELECTED AREA AND 3.00µm MIN TIN IN SELECTED AREA AND 1.30µm MIN NICKEL OVERALL
E	0.38µm MIN GOLD IN SELECTED AREA (2 SIDES) AND 3.00µm MIN TIN IN SELECTED AREA AND 1.30µm MIN NICKEL OVERALL
F	0.76µm MIN GOLD IN SELECTED AREA (2 SIDES) AND 3.00µm MIN TIN IN SELECTED AREA AND 1.30µm MIN NICKEL OVERALL
G	0.05-0.10µm GOLD FLASH IN SELECTED AREA (2 SIDES) AND 3.00µm MIN TIN IN SELECTED AREA AND 1.30µm MIN NICKEL OVERALL

CHANGE DOC. NO EC NO: S2012-0490 DRWN:ATSEE 2011/12/21 CHKD:SKANG 2011/12/28 APPR:MLONG 2012/02/24	REV DESCRIPTION 0	QUALITY SYMBOLS	GENERAL TOLERANCES (UNLESS SPECIFIED)	DIMENSION STYLE MM ONLY	SCALE NTS	DESIGN UNITS METRIC	THIRD ANGLE PROJECTION
		$F_A=0$ $F_C=0$ $F_P=0$	mm INCH 4 PLACES ± --- ± --- 3 PLACES ± --- ± --- 2 PLACES ± 0.20 ± --- 1 PLACE ± --- ± --- ANGULAR ± 3 °	DRAWN BY DATE DB 1987/07/16 CHECKED BY DATE DB 1987/07/16 APPROVED BY DATE MLONG 2012/02/24	TITLE C GRID III DUAL ROW STRAIGHT PIN HEADER		
		DRAFT WHERE APPLICABLE MUST REMAIN WITHIN DIMENSIONS	MATERIAL NO. SEE TABLE	MOLEX INCORPORATED DOCUMENT NO. SD-90131-001	SHEET NO. 2 OF 8		
		SIZE A3	THIS DRAWING CONTAINS INFORMATION THAT IS PROPRIETARY TO MOLEX INCORPORATED AND SHOULD NOT BE USED WITHOUT WRITTEN PERMISSION				

10 9 8 7 6 5 4 3 2 1

CIRCUIT SIZE	PLATING TYPE A	PLATING TYPE E	PLATING TYPE F
	PART NO.	PART NO.	PART NO.
2 X 1	90131-0121	90131-0761	90131-0921
2 X 2	▲ -0122	▲ -0762	▲ -0922
2 X 3	-0123	-0763	-0923
2 X 4	-0124	-0764	-0924
2 X 5	-0125	-0765	-0925
2 X 6	-0126	-0766	-0926
2 X 7	-0127	-0767	-0927
2 X 8	-0128	-0768	-0928
2 X 9	-0129	-0769	-0929
2 X 10	-0130	-0770	-0930
2 X 11	-0131	-0771	-0931
2 X 12	-0132	-0772	-0932
2 X 13	-0133	-0773	-0933
2 X 14	-0134	-0774	-0934
2 X 15	-0135	-0775	-0935
2 X 16	-0136	-0776	-0936
2 X 17	-0137	-0777	-0937
2 X 18	-0138	-0778	-0938
2 X 19	-0139	-0779	-0939
2 X 20	-0140	-0780	-0940
2 X 21	-0141	-0781	-0941
2 X 22	-0142	-0782	-0942
2 X 23	-0143	-0783	-0943
2 X 24	-0144	-0784	-0944
2 X 25	-0145	-0785	-0945
2 X 26	-0146	-0786	-0946
2 X 27	-0147	-0787	-0947
2 X 28	-0148	-0788	-0948
2 X 29	-0149	-0789	-0949
2 X 30	-0150	-0790	-0950
2 X 31	-0151	-0791	-0951
2 X 32	-0152	-0792	-0952
2 X 33	-0153	-0793	-0953
2 X 34	-0154	-0794	-0954
2 X 35	-0155	-0795	-0955
2 X 36	-0156	-0796	-0956
2 X 37	-0157	-0797	-0957
2 X 38	-0158	-0798	-0958
2 X 39	▼ -0159	▼ -0799	▼ -0959
2 X 40	90131-0160	90131-0800	90131-0960

DIM
C (+0.20
±.008
(6.75)
.266

DIM
D (+0.20
±0.30
+.008
-.012
(2.90)
.114

STANDARD PRODUCTS

CHANGE DOC. NO EC NO: S2012-0490 DRWN:ATSEE 2011/12/21 CHKD:SKANG 2011/12/28 APPR:MLONG 2012/02/24	QUALITY SYMBOLS F=0 F=0 F=0	GENERAL TOLERANCES (UNLESS SPECIFIED)		DIMENSION STYLE MM ONLY		SCALE NTS	DESIGN UNITS METRIC	THIRD ANGLE PROJECTION		
			mm	INCH	DRAWN BY DB	DATE 1987/07/16	TITLE C GRID III DUAL ROW STRAIGHT PIN HEADER			
		4 PLACES	±---	±---	CHECKED BY DB	DATE 1987/07/16				
		3 PLACES	±---	±---	APPROVED BY MLONG	DATE 2012/02/24	MATERIAL NO. SEE TABLE		DOCUMENT NO. SD-90131-001	
DRAFT WHERE APPLICABLE MUST REMAIN WITHIN DIMENSIONS		ANGULAR ± 3 °		SIZE A3		THIS DRAWING CONTAINS INFORMATION THAT IS PROPRIETARY TO MOLEX INCORPORATED AND SHOULD NOT BE USED WITHOUT WRITTEN PERMISSION				

9 8 7 6 5 4 3 2 1

CIRCUIT SIZE	PLATING TYPE A PART NO.	PLATING TYPE E PART NO.	PLATING TYPE F PART NO.
2 X 1	90131-0041	90131-0681	90131-0841
2 X 2	▲ -0042	▲ -0682	▲ -0842
2 X 3	-0043	-0683	-0843
2 X 4	-0044	-0684	-0844
2 X 5	-0045	-0685	-0845
2 X 6	-0046	-0686	-0846
2 X 7	-0047	-0687	-0847
2 X 8	-0048	-0688	-0848
2 X 9	-0049	-0689	-0849
2 X 10	-0050	-0690	-0850
2 X 11	-0051	-0691	-0851
2 X 12	-0052	-0692	-0852
2 X 13	-0053	-0693	-0853
2 X 14	-0054	-0694	-0854
2 X 15	-0055	-0695	-0855
2 X 16	-0056	-0696	-0856
2 X 17	-0057	-0697	-0857
2 X 18	-0058	-0698	-0858
2 X 19	-0059	-0699	-0859
2 X 20	-0060	-0700	-0860
2 X 21	-0061	-0701	-0861
2 X 22	-0062	-0702	-0862
2 X 23	-0063	-0703	-0863
2 X 24	-0064	-0704	-0864
2 X 25	-0065	-0705	-0865
2 X 26	-0066	-0706	-0866
2 X 27	-0067	-0707	-0867
2 X 28	-0068	-0708	-0868
2 X 29	-0069	-0709	-0869
2 X 30	-0070	-0710	-0870
2 X 31	-0071	-0711	-0871
2 X 32	-0072	-0712	-0872
2 X 33	-0073	-0713	-0873
2 X 34	-0074	-0714	-0874
2 X 35	-0075	-0715	-0875
2 X 36	-0076	-0716	-0876
2 X 37	-0077	-0717	-0877
2 X 38	-0078	-0718	-0878
2 X 39	▼ -0079	▼ -0719	▼ -0879
2 X 40	90131-0080	90131-0720	90131-0880

DIM C (+0.20) ±.008 (5.75) .226

DIM D (+0.20) ±.008 ±.012 (2.90) .114

CIRCUIT SIZE	PLATING TYPE A PART NO.	PLATING TYPE E PART NO.	PLATING TYPE F PART NO.
2 X 1	90131-0081	90131-0721	90131-0881
2 X 2	▲ -0082	▲ -0722	▲ -0882
2 X 3	-0083	-0723	-0883
2 X 4	-0084	-0724	-0884
2 X 5	-0085	-0725	-0885
2 X 6	-0086	-0726	-0886
2 X 7	-0087	-0727	-0887
2 X 8	-0088	-0728	-0888
2 X 9	-0089	-0729	-0889
2 X 10	-0090	-0730	-0890
2 X 11	-0091	-0731	-0891
2 X 12	-0092	-0732	-0892
2 X 13	-0093	-0733	-0893
2 X 14	-0094	-0734	-0894
2 X 15	-0095	-0735	-0895
2 X 16	-0096	-0736	-0896
2 X 17	-0097	-0737	-0897
2 X 18	-0098	-0738	-0898
2 X 19	-0099	-0739	-0899
2 X 20	-0100	-0740	-0900
2 X 21	-0101	-0741	-0901
2 X 22	-0102	-0742	-0902
2 X 23	-0103	-0743	-0903
2 X 24	-0104	-0744	-0904
2 X 25	-0105	-0745	-0905
2 X 26	-0106	-0746	-0906
2 X 27	-0107	-0747	-0907
2 X 28	-0108	-0748	-0908
2 X 29	-0109	-0749	-0909
2 X 30	-0110	-0750	-0910
2 X 31	-0111	-0751	-0911
2 X 32	-0112	-0752	-0912
2 X 33	-0113	-0753	-0913
2 X 34	-0114	-0754	-0914
2 X 35	-0115	-0755	-0915
2 X 36	-0116	-0756	-0916
2 X 37	-0117	-0757	-0917
2 X 38	-0118	-0758	-0918
2 X 39	▼ -0119	▼ -0759	▼ -0919
2 X 40	90131-0120	90131-0760	90131-0920

DIM C (+0.20) ±.008 (5.75) .226

DIM D (+0.25) ±.010 (4.50) .177

NON-STANDARD PRODUCTS

CHANGE DOC. NO
EC NO: S2012-0490
2011/12/21
DRAWN:SEE
2011/12/28
CHKD:SKANG
APPR:MLONG
2012/02/24

QUALITY SYMBOLS
F_A=0
F_E=0
F_F=0

GENERAL TOLERANCES (UNLESS SPECIFIED)

	mm	INCH
4 PLACES	± ---	± ---
3 PLACES	± ---	± ---
2 PLACES	± 0.20	± ---
1 PLACE	± ---	± ---

ANGULAR ± 3 °

DRAFT WHERE APPLICABLE MUST REMAIN WITHIN DIMENSIONS

DIMENSION STYLE
MM ONLY

SCALE
NTS

DESIGN UNITS
METRIC

THIRD ANGLE PROJECTION

DRAWN BY
DB

DATE
1987/07/16

CHECKED BY
DB

DATE
1987/07/16

APPROVED BY
MLONG

DATE
2012/02/24

MATERIAL NO.
SEE TABLE

SIZE
A3

TITLE
C GRID III DUAL ROW STRAIGHT PIN HEADER

MOLEX INCORPORATED

DOCUMENT NO.
SD-90131-001

SHEET NO.
4 OF 8

THIS DRAWING CONTAINS INFORMATION THAT IS PROPRIETARY TO MOLEX INCORPORATED AND SHOULD NOT BE USED WITHOUT WRITTEN PERMISSION

CIRCUIT SIZE	PLATING TYPE A PART NO.	PLATING TYPE E PART NO.	PLATING TYPE F PART NO.
2 X 1	90131-0161	90131-0801	90131-0961
2 X 2	▲ -0162	-0802	▲ -0962
2 X 3	-0163	-0803	-0963
2 X 4	-0164	-0804	-0964
2 X 5	-0165	-0805	-0965
2 X 6	-0166	-0806	-0966
2 X 7	-0167	-0807	-0967
2 X 8	-0168	-0808	-0968
2 X 9	-0169	-0809	-0969
2 X 10	-0170	-0810	-0970
2 X 11	-0171	-0811	-0971
2 X 12	-0172	-0812	-0972
2 X 13	-0173	-0813	-0973
2 X 14	-0174	-0814	-0974
2 X 15	-0175	-0815	-0975
2 X 16	-0176	-0816	-0976
2 X 17	-0177	-0817	-0977
2 X 18	-0178	-0818	-0978
2 X 19	-0179	-0819	-0979
2 X 20	-0180	-0820	-0980
2 X 21	-0181	-0821	-0981
2 X 22	-0182	-0822	-0982
2 X 23	-0183	-0823	-0983
2 X 24	-0184	-0824	-0984
2 X 25	-0185	-0825	-0985
2 X 26	-0186	-0826	-0986
2 X 27	-0187	-0827	-0987
2 X 28	-0188	-0828	-0988
2 X 29	-0189	-0829	-0989
2 X 30	-0190	-0830	-0990
2 X 31	-0191	-0831	-0991
2 X 32	-0192	-0832	-0992
2 X 33	-0193	-0833	-0993
2 X 34	-0194	-0834	-0994
2 X 35	-0195	-0835	-0995
2 X 36	-0196	-0836	-0996
2 X 37	-0197	-0837	-0997
2 X 38	-0198	-0838	-0998
2 X 39	▼ -0199	-0839	▼ -0999
2 X 40	90131-0200	90131-0840	90131-1000

DIM C
(±0.20)
±.008
(6.75)
.266

DIM D
(±0.25)
±.010
(4.50)
.177

NON-STANDARD PRODUCTS

CHANGE DOC. NO EC NO: S2012-0490 DRWN:ATSEE 2011/12/21 CHKD:SKANG 2011/12/28 APPR:MLONG 2012/02/24	QUALITY SYMBOLS	GENERAL TOLERANCES (UNLESS SPECIFIED)	DIMENSION STYLE	SCALE	DESIGN UNITS	THIRD ANGLE PROJECTION
	$F_A = 0$ $F_B = 0$ $F_C = 0$	mm INCH	MM ONLY	NTS	METRIC	
		4 PLACES ± --- ± --- 3 PLACES ± --- ± --- 2 PLACES ± 0.20 ± --- 1 PLACE ± --- ± --- ANGULAR ± 3°	DRAWN BY DATE DB 1987/07/16 CHECKED BY DATE DB 1987/07/16 APPROVED BY DATE MLONG 2012/02/24	TITLE C GRID III DUAL ROW STRAIGHT PIN HEADER		
		DRAFT WHERE APPLICABLE MUST REMAIN WITHIN DIMENSIONS	MATERIAL NO. SEE TABLE	MOLEX INCORPORATED DOCUMENT NO. SD-90131-001		SHEET NO. 5 OF 8

THIS DRAWING CONTAINS INFORMATION THAT IS PROPRIETARY TO MOLEX INCORPORATED AND SHOULD NOT BE USED WITHOUT WRITTEN PERMISSION

	10	9	8	7	6	5	4	3	2	1		
		CIRCUIT SIZE	PLATING TYPE B PART NO.	PLATING TYPE C PART NO.	PLATING TYPE D PART NO.	PLATING TYPE G PART NO.	CIRCUIT SIZE	PLATING TYPE B PART NO.	PLATING TYPE C PART NO.	PLATING TYPE D PART NO.	PLATING TYPE G PART NO.	
F		2 X 1	90131-0281	90131-0441	90131-0601	90131-1081	2 X 1	90131-0201	90131-0361	90131-0521	90131-1001	F
		2 X 2	▲ -0282	▲ -0442	▲ -0602	▲ -1082	2 X 2	▲ -0202	▲ -0362	▲ -0522	▲ -1002	
		2 X 3	-0283	-0443	-0603	-1083	2 X 3	-0203	-0363	-0523	-1003	
		2 X 4	-0284	-0444	-0604	-1084	2 X 4	-0204	-0364	-0524	-1004	
		2 X 5	-0285	-0445	-0605	-1085	2 X 5	-0205	-0365	-0525	-1005	
		2 X 6	-0286	-0446	-0606	-1086	2 X 6	-0206	-0366	-0526	-1006	
		2 X 7	-0287	-0447	-0607	-1087	2 X 7	-0207	-0367	-0527	-1007	
		2 X 8	-0288	-0448	-0608	-1088	2 X 8	-0208	-0368	-0528	-1008	
		2 X 9	-0289	-0449	-0609	-1089	2 X 9	-0209	-0369	-0529	-1009	
E		2 X 10	-0290	-0450	-0610	-1090	2 X 10	-0210	-0370	-0530	-1010	E
		2 X 11	-0291	-0451	-0611	-1091	2 X 11	-0211	-0371	-0531	-1011	
		2 X 12	-0292	-0452	-0612	-1092	2 X 12	-0212	-0372	-0532	-1012	
		2 X 13	-0293	-0453	-0613	-1093	2 X 13	-0213	-0373	-0533	-1013	
		2 X 14	-0294	-0454	-0614	-1094	2 X 14	-0214	-0374	-0534	-1014	
		2 X 15	-0295	-0455	-0615	-1095	2 X 15	-0215	-0375	-0535	-1015	
		2 X 16	-0296	-0456	-0616	-1096	2 X 16	-0216	-0376	-0536	-1016	
		2 X 17	-0297	-0457	-0617	-1097	2 X 17	-0217	-0377	-0537	-1017	
		2 X 18	-0298	-0458	-0618	-1098	2 X 18	-0218	-0378	-0538	-1018	
		2 X 19	-0299	-0459	-0619	-1099	2 X 19	-0219	-0379	-0539	-1019	
D		2 X 20	-0300	-0460	-0620	-1100	2 X 20	-0220	-0380	-0540	-1020	D
		2 X 21	-0301	-0461	-0621	-1101	2 X 21	-0221	-0381	-0541	-1021	
		2 X 22	-0302	-0462	-0622	-1102	2 X 22	-0222	-0382	-0542	-1022	
		2 X 23	-0303	-0463	-0623	-1103	2 X 23	-0223	-0383	-0543	-1023	
		2 X 24	-0304	-0464	-0624	-1104	2 X 24	-0224	-0384	-0544	-1024	
		2 X 25	-0305	-0465	-0625	-1105	2 X 25	-0225	-0385	-0545	-1025	
		2 X 26	-0306	-0466	-0626	-1106	2 X 26	-0226	-0386	-0546	-1026	
		2 X 27	-0307	-0467	-0627	-1107	2 X 27	-0227	-0387	-0547	-1027	
		2 X 28	-0308	-0468	-0628	-1108	2 X 28	-0228	-0388	-0548	-1028	
		2 X 29	-0309	-0469	-0629	-1109	2 X 29	-0229	-0389	-0549	-1029	
C		2 X 30	-0310	-0470	-0630	-1110	2 X 30	-0230	-0390	-0550	-1030	C
		2 X 31	-0311	-0471	-0631	-1111	2 X 31	-0231	-0391	-0551	-1031	
		2 X 32	-0312	-0472	-0632	-1112	2 X 32	-0232	-0392	-0552	-1032	
		2 X 33	-0313	-0473	-0633	-1113	2 X 33	-0233	-0393	-0553	-1033	
		2 X 34	-0314	-0474	-0634	-1114	2 X 34	-0234	-0394	-0554	-1034	
		2 X 35	-0315	-0475	-0635	-1115	2 X 35	-0235	-0395	-0555	-1035	
		2 X 36	-0316	-0476	-0636	-1116	2 X 36	-0236	-0396	-0556	-1036	
		2 X 37	-0317	-0477	-0637	-1117	2 X 37	-0237	-0397	-0557	-1037	
		2 X 38	-0318	-0478	-0638	-1118	2 X 38	-0238	-0398	-0558	-1038	
B		2 X 39	▼ -0319	▼ -0479	▼ -0639	▼ -1119	2 X 39	▼ -0239	▼ -0399	▼ -0559	▼ -1039	B
		2 X 40	90131-0320	90131-0480	90131-0640	90131-1120	2 X 40	90131-0240	90131-0400	90131-0560	90131-1040	

DIM C (+0.20/-0.008) (6.75) .266

DIM D (+0.30/-0.012) (2.90) .114

DIM C (+0.20/-0.008) (5.75) .226

DIM D (+0.30/-0.012) (2.90) .114

**NON-STANDARD PRODUCTS
NOT FOR GENERAL RELEASE**

CHANGE DOC. NO EC NO: S2012-0490	2011/12/21	DRWINATSEE	2011/12/28	CHKD:SKANG	2012/02/24	APPR:MLONG	DESCRIPTION
QUALITY SYMBOLS	▽ _A =0	▽ _B =0	▽ _C =0	▽ _D =0	▽ _E =0	▽ _F =0	
REV	0						

GENERAL TOLERANCES (UNLESS SPECIFIED)	mm	INCH
4 PLACES	± ---	± ---
3 PLACES	± ---	± ---
2 PLACES	± 0.20	± ---
1 PLACE	± ---	± ---
ANGULAR ± 3 °		
DRAFT WHERE APPLICABLE MUST REMAIN WITHIN DIMENSIONS		

DIMENSION STYLE MM ONLY	
DRAWN BY DB	DATE 1987/07/16
CHECKED BY DB	DATE 1987/07/16
APPROVED BY MLONG	DATE 2012/02/24
MATERIAL NO. SEE TABLE	
SIZE A3	THIS DRAWING CONTAINS INFORMATION THAT IS PROPRIETARY TO MOLEX INCORPORATED AND SHOULD NOT BE USED WITHOUT WRITTEN PERMISSION

SCALE NTS	DESIGN UNITS METRIC	THIRD ANGLE PROJECTION
TITLE C GRID III DUAL ROW STRAIGHT PIN HEADER		
MOLEX MOLEX INCORPORATED		
DOCUMENT NO. SD-90131-001	SHEET NO. 6 OF 8	

CIRCUIT SIZE	PLATING TYPE B PART NO.	PLATING TYPE C PART NO.	PLATING TYPE D PART NO.	PLATING TYPE G PART NO.
2 X 1	90131-0241	90131-0401	90131-0561	90131-1041
2 X 2	▲ -0242	▲ -0402	▲ -0562	▲ -1042
2 X 3	▲ -0243	▲ -0403	▲ -0563	▲ -1043
2 X 4	▲ -0244	▲ -0404	▲ -0564	▲ -1044
2 X 5	▲ -0245	▲ -0405	▲ -0565	▲ -1045
2 X 6	▲ -0246	▲ -0406	▲ -0566	▲ -1046
2 X 7	▲ -0247	▲ -0407	▲ -0567	▲ -1047
2 X 8	▲ -0248	▲ -0408	▲ -0568	▲ -1048
2 X 9	▲ -0249	▲ -0409	▲ -0569	▲ -1049
2 X 10	▲ -0250	▲ -0410	▲ -0570	▲ -1050
2 X 11	▲ -0251	▲ -0411	▲ -0571	▲ -1051
2 X 12	▲ -0252	▲ -0412	▲ -0572	▲ -1052
2 X 13	▲ -0253	▲ -0413	▲ -0573	▲ -1053
2 X 14	▲ -0254	▲ -0414	▲ -0574	▲ -1054
2 X 15	▲ -0255	▲ -0415	▲ -0575	▲ -1055
2 X 16	▲ -0256	▲ -0416	▲ -0576	▲ -1056
2 X 17	▲ -0257	▲ -0417	▲ -0577	▲ -1057
2 X 18	▲ -0258	▲ -0418	▲ -0578	▲ -1058
2 X 19	▲ -0259	▲ -0419	▲ -0579	▲ -1059
2 X 20	▲ -0260	▲ -0420	▲ -0580	▲ -1060
2 X 21	▲ -0261	▲ -0421	▲ -0581	▲ -1061
2 X 22	▲ -0262	▲ -0422	▲ -0582	▲ -1062
2 X 23	▲ -0263	▲ -0423	▲ -0583	▲ -1063
2 X 24	▲ -0264	▲ -0424	▲ -0584	▲ -1064
2 X 25	▲ -0265	▲ -0425	▲ -0585	▲ -1065
2 X 26	▲ -0266	▲ -0426	▲ -0586	▲ -1066
2 X 27	▲ -0267	▲ -0427	▲ -0587	▲ -1067
2 X 28	▲ -0268	▲ -0428	▲ -0588	▲ -1068
2 X 29	▲ -0269	▲ -0429	▲ -0589	▲ -1069
2 X 30	▲ -0270	▲ -0430	▲ -0590	▲ -1070
2 X 31	▲ -0271	▲ -0431	▲ -0591	▲ -1071
2 X 32	▲ -0272	▲ -0432	▲ -0592	▲ -1072
2 X 33	▲ -0273	▲ -0433	▲ -0593	▲ -1073
2 X 34	▲ -0274	▲ -0434	▲ -0594	▲ -1074
2 X 35	▲ -0275	▲ -0435	▲ -0595	▲ -1075
2 X 36	▲ -0276	▲ -0436	▲ -0596	▲ -1076
2 X 37	▲ -0277	▲ -0437	▲ -0597	▲ -1077
2 X 38	▲ -0278	▲ -0438	▲ -0598	▲ -1078
2 X 39	▲ -0279	▲ -0439	▲ -0599	▲ -1079
2 X 40	90131-0280	90131-0440	90131-0600	90131-1080

DIM C (±0.20) ±.008 (5.75) .226

DIM D (±0.25) ±.010 (4.50) .177

CIRCUIT SIZE	PLATING TYPE B PART NO.	PLATING TYPE C PART NO.	PLATING TYPE D PART NO.	PLATING TYPE G PART NO.
2 X 1	90131-0321	90131-0481	90131-0641	90131-1121
2 X 2	▲ -0322	▲ -0482	▲ -0642	▲ -1122
2 X 3	▲ -0323	▲ -0483	▲ -0643	▲ -1123
2 X 4	▲ -0324	▲ -0484	▲ -0644	▲ -1124
2 X 5	▲ -0325	▲ -0485	▲ -0645	▲ -1125
2 X 6	▲ -0326	▲ -0486	▲ -0646	▲ -1126
2 X 7	▲ -0327	▲ -0487	▲ -0647	▲ -1127
2 X 8	▲ -0328	▲ -0488	▲ -0648	▲ -1128
2 X 9	▲ -0329	▲ -0489	▲ -0649	▲ -1129
2 X 10	▲ -0330	▲ -0490	▲ -0650	▲ -1130
2 X 11	▲ -0331	▲ -0491	▲ -0651	▲ -1131
2 X 12	▲ -0332	▲ -0492	▲ -0652	▲ -1132
2 X 13	▲ -0333	▲ -0493	▲ -0653	▲ -1133
2 X 14	▲ -0334	▲ -0494	▲ -0654	▲ -1134
2 X 15	▲ -0335	▲ -0495	▲ -0655	▲ -1135
2 X 16	▲ -0336	▲ -0496	▲ -0656	▲ -1136
2 X 17	▲ -0337	▲ -0497	▲ -0657	▲ -1137
2 X 18	▲ -0338	▲ -0498	▲ -0658	▲ -1138
2 X 19	▲ -0339	▲ -0499	▲ -0659	▲ -1139
2 X 20	▲ -0340	▲ -0500	▲ -0660	▲ -1140
2 X 21	▲ -0341	▲ -0501	▲ -0661	▲ -1141
2 X 22	▲ -0342	▲ -0502	▲ -0662	▲ -1142
2 X 23	▲ -0343	▲ -0503	▲ -0663	▲ -1143
2 X 24	▲ -0344	▲ -0504	▲ -0664	▲ -1144
2 X 25	▲ -0345	▲ -0505	▲ -0665	▲ -1145
2 X 26	▲ -0346	▲ -0506	▲ -0666	▲ -1146
2 X 27	▲ -0347	▲ -0507	▲ -0667	▲ -1147
2 X 28	▲ -0348	▲ -0508	▲ -0668	▲ -1148
2 X 29	▲ -0349	▲ -0509	▲ -0669	▲ -1149
2 X 30	▲ -0350	▲ -0510	▲ -0670	▲ -1150
2 X 31	▲ -0351	▲ -0511	▲ -0671	▲ -1151
2 X 32	▲ -0352	▲ -0512	▲ -0672	▲ -1152
2 X 33	▲ -0353	▲ -0513	▲ -0673	▲ -1153
2 X 34	▲ -0354	▲ -0514	▲ -0674	▲ -1154
2 X 35	▲ -0355	▲ -0515	▲ -0675	▲ -1155
2 X 36	▲ -0356	▲ -0516	▲ -0676	▲ -1156
2 X 37	▲ -0357	▲ -0517	▲ -0677	▲ -1157
2 X 38	▲ -0358	▲ -0518	▲ -0678	▲ -1158
2 X 39	▲ -0359	▲ -0519	▲ -0679	▲ -1159
2 X 40	90131-0360	90131-0520	90131-0680	90131-1160

DIM C (±0.20) ±.008 (6.75) .266

DIM D (±0.25) ±.010 (4.50) .177

**NON-STANDARD PRODUCTS
NOT FOR GENERAL RELEASE**

CHANGE DOC. NO EC NO: S2012-0490	2011/12/21
DRW:NAT/SEE	2011/12/28
CHKD:SKANG	2012/02/24
APPR:MLONG	
REV	DESCRIPTION
0	

QUALITY SYMBOLS	▽=0
	▽=0
▽=0	
DRAFT WHERE APPLICABLE MUST REMAIN WITHIN DIMENSIONS	

GENERAL TOLERANCES (UNLESS SPECIFIED)	
mm	INCH
4 PLACES ± ---	± ---
3 PLACES ± ---	± ---
2 PLACES ± 0.20	± ---
1 PLACE ± ---	± ---
ANGULAR ± 3 °	
DRAWN BY DB DATE 1987/07/16	
CHECKED BY DB DATE 1987/07/16	
APPROVED BY MLONG DATE 2012/02/24	
MATERIAL NO. SEE TABLE	
DOCUMENT NO. SD-90131-001	
SHEET NO. 7 OF 8	

DIMENSION STYLE	SCALE	DESIGN UNITS	THIRD ANGLE PROJECTION
MM ONLY	NTS	METRIC	
TITLE			
C GRID III DUAL ROW STRAIGHT PIN HEADER			
MOLEX INCORPORATED			
THIS DRAWING CONTAINS INFORMATION THAT IS PROPRIETARY TO MOLEX INCORPORATED AND SHOULD NOT BE USED WITHOUT WRITTEN PERMISSION			

10 9 8 7 6 5 4 3 2 1

F

F

E

E

D

D

C

C

B


B

A

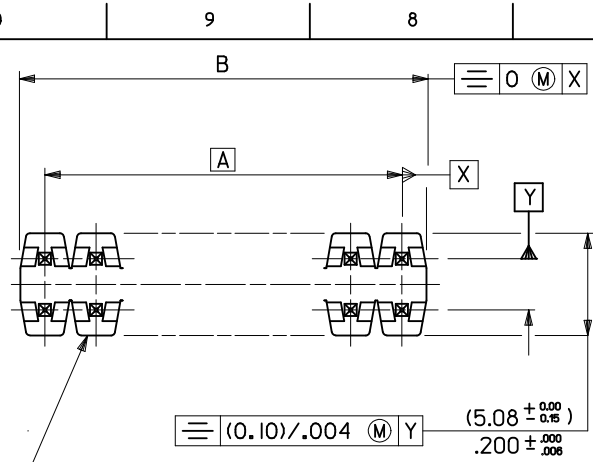
A

CIRCUIT SIZE	PLATING TYPE A PART NO.	PIN PART NUMBER	WAFER PART NUMBER	DIM C ^(±0.20) ±.008	DIM D ^(±0.30) ±.008 -.012
2 X 6	90131-3126	90129-2008	90131-0040	(14.60) .575	(2.38) .094
2 X 36	90131-3128	90129-2008	90131-0040	(14.60) .575	(2.38) .094
2 X 40	90131-3127	90129-2008	90131-0040	(14.60) .575	(2.38) .094

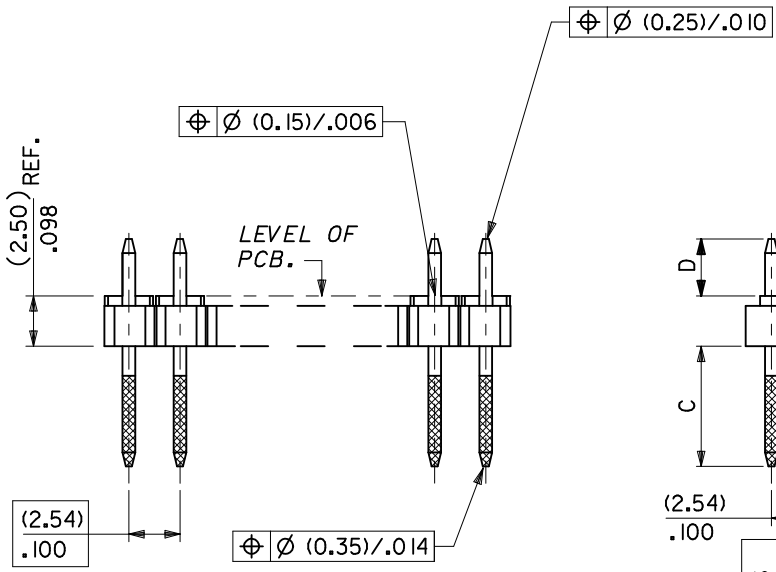
STANDARD PRODUCTS

CHANGE DOC. NO EC NO: S2012-0490 DRW:ATSEE 2011/12/21 CHKD:SKANG 2011/12/28 APPR:MLONG 2012/02/24	QUALITY SYMBOLS ▽=0 ▽=0 ▽=0	GENERAL TOLERANCES (UNLESS SPECIFIED)		DIMENSION STYLE MM ONLY		SCALE NTS	DESIGN UNITS METRIC	THIRD ANGLE PROJECTION		
			mm	INCH	DRAWN BY DB	DATE 1987/07/16	TITLE C GRID III DUAL ROW STRAIGHT PIN HEADER			
		4 PLACES	± ---	± ---	CHECKED BY DB	DATE 1987/07/16				
		3 PLACES	± ---	± ---	APPROVED BY MLONG		DATE 2012/02/24	 MOLEX INCORPORATED DOCUMENT NO. SD-90131-001		
2 PLACES	± 0.20	± ---	MATERIAL NO. SEE TABLE			SHEET NO. 8 OF 8				
1 PLACE	± ---	± ---	ANGULAR ± 3 °		THIS DRAWING CONTAINS INFORMATION THAT IS PROPRIETARY TO MOLEX INCORPORATED AND SHOULD NOT BE USED WITHOUT WRITTEN PERMISSION					
DRAFT WHERE APPLICABLE MUST REMAIN WITHIN DIMENSIONS										

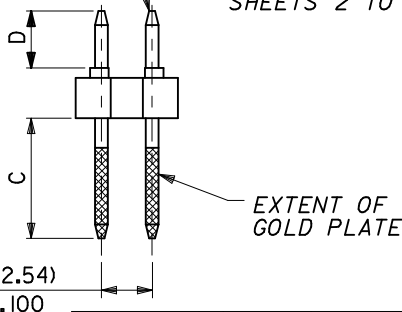
9 8 7 6 5 4 3 2 1



WAFER: 15% GLASS FILLED POLYESTER
TO UL 94V-0.
COLOUR: BLACK.



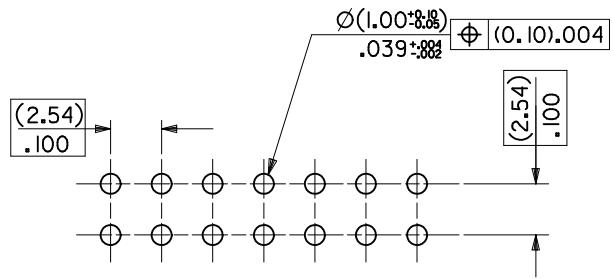
PINS: (0.635)/.025 SQ.
BRASS WIRE.
PLATED AS PER
SHEETS 2 TO 6.



CKT SIZE	DIM." A"	DIM." B" ^(+0.20 / -0.008)	CKT SIZE	DIM." A"	DIM." B" ^(+0.20 / -0.008)
2X 1		(2.54)	2X21	(50.80)	2.000
2X 2	(2.54)	.100	2X22	(53.34)	2.100
2X 3	(5.08)	.200	2X23	(55.88)	2.200
2X 4	(7.62)	.300	2X24	(58.42)	2.300
2X 5	(10.16)	.400	2X25	(60.96)	2.400
2X 6	(12.70)	.500	2X26	(63.50)	2.500
2X 7	(15.24)	.600	2X27	(66.04)	2.600
2X 8	(17.78)	.700	2X28	(68.58)	2.700
2X 9	(20.32)	.800	2X29	(71.12)	2.800
2X10	(22.86)	.900	2X30	(73.66)	2.900
2X11	(25.40)	1.000	2X31	(76.20)	3.000
2X12	(27.94)	1.100	2X32	(78.74)	3.100
2X13	(30.48)	1.200	2X33	(81.28)	3.200
2X14	(33.02)	1.300	2X34	(83.82)	3.300
2X15	(35.56)	1.400	2X35	(86.36)	3.400
2X16	(38.10)	1.500	2X36	(88.90)	3.500
2X17	(40.64)	1.600	2X37	(91.44)	3.600
2X18	(43.18)	1.700	2X38	(93.98)	3.700
2X19	(45.72)	1.800	2X39	(96.52)	3.800
2X20	(48.26)	1.900	2X40	(99.06)	3.900

NOTES

1. FOR ASSY NUMBERS WITH FINISH OPTIONS
AND DIM'S C & D SEE SHEETS 2 TO 7.



RECOMMENDED P.C. BOARD HOLE PATTERN

NOTES
2. RECOMMENDED PCB THICKNESS 1.6MM
3. PRODUCT SPECIFICATION: PS-99020-0001

ADDED NOTES	QUALITY SYMBOLS
EC NO: E2008-0337 DRWN: K I ERMAN 2008/02/14 CHKD: 2008/02/15 APPR: BMAGUIRE 2008/02/15	<p>▼ =</p> <p>▽ =</p>

GENERAL TOLERANCES (UNLESS SPECIFIED)
4 PLACES ± --- ± ---
3 PLACES ± --- ± ---
2 PLACES ± --- ± ---
1 PLACE ± --- ± ---
ANGULAR ± ---°

DIMENSION STYLE	SCALE	DESIGN UNITS
MM ONLY	4:1	METRIC

DRAWN BY: DB	DATE: 16/7/87	TITLE: C GRID III DUAL ROW STRAIGHT PIN HEADER
CHECKED BY:	DATE:	
APPROVED BY:	DATE:	
MATERIAL NO. SEE CHART	DOCUMENT NO. SDA-90131	SHEET NO. 1 OF 7
<p>THIS DRAWING CONTAINS INFORMATION THAT IS PROPRIETARY TO MOLEX INCORPORATED AND SHOULD NOT BE USED WITHOUT WRITTEN PERMISSION</p>		

PART NO. SEE CHART
 DWG. NO. SDA-90131

CIRCUIT SIZE	PLATING TYPE A	PLATING TYPE E	PLATING TYPE F
	PART NO.	PART NO.	PART NO.
2 X 1	90131-0121	90131-0761	90131-0921
2 X 2	▲ -0122	▲ -0762	▲ -0922
2 X 3	-0123	-0763	-0923
2 X 4	-0124	-0764	-0924
2 X 5	-0125	-0765	-0925
2 X 6	-0126	-0766	-0926
2 X 7	-0127	-0767	-0927
2 X 8	-0128	-0768	-0928
2 X 9	-0129	-0769	-0929
2 X 10	-0130	-0770	-0930
2 X 11	-0131	-0771	-0931
2 X 12	-0132	-0772	-0932
2 X 13	-0133	-0773	-0933
2 X 14	-0134	-0774	-0934
2 X 15	-0135	-0775	-0935
2 X 16	-0136	-0776	-0936
2 X 17	-0137	-0777	-0937
2 X 18	-0138	-0778	-0938
2 X 19	-0139	-0779	-0939
2 X 20	-0140	-0780	-0940
2 X 21	-0141	-0781	-0941
2 X 22	-0142	-0782	-0942
2 X 23	-0143	-0783	-0943
2 X 24	-0144	-0784	-0944
2 X 25	-0145	-0785	-0945
2 X 26	-0146	-0786	-0946
2 X 27	-0147	-0787	-0947
2 X 28	-0148	-0788	-0948
2 X 29	-0149	-0789	-0949
2 X 30	-0150	-0790	-0950
2 X 31	-0151	-0791	-0951
2 X 32	-0152	-0792	-0952
2 X 33	-0153	-0793	-0953
2 X 34	-0154	-0794	-0954
2 X 35	-0155	-0795	-0955
2 X 36	-0156	-0796	-0956
2 X 37	-0157	-0797	-0957
2 X 38	-0158	-0798	-0958
2 X 39	▼ -0159	▼ -0799	▼ -0959
2 X 40	90131-0160	90131-0800	90131-0960

DIM C (+0.20 / ±.008) (6.75) .266

DIM D (+0.20 / 0.30 / ±.006 / -.012) (2.90) .114

NOTES:
 FOR PLATING VARIATIONS SEE
 ENG.STD. SDES-99000-0003.

STANDARD PRODUCTS

FOR PREVIOUS DRAWING ISSUES SEE MRI.	H SEE SHEET I.	LTR REVISIONS	DIMENSIONS SHOWN (METRIC) INCH <small>UNLESS OTHERWISE SPECIFIED TOLERANCES: ANGULAR ± 1/2°</small>	DRWG BY DB	REVISE ONLY ON CAD SYSTEM		SHL. REV.																
			<table border="1"> <tr><th colspan="2">INCH</th><th colspan="2">(METRIC)</th></tr> <tr><td>3 PLACE ± . ---</td><td></td><td></td><td></td></tr> <tr><td>2 PLACE ± . ---</td><td></td><td></td><td></td></tr> <tr><td>1 PLACE ± ---</td><td></td><td></td><td></td></tr> </table>	INCH		(METRIC)		3 PLACE ± . ---				2 PLACE ± . ---				1 PLACE ± ---				CHK'D BY	CAD/CAM FILENAME SA90131X2 DGN		THIS DRAWING CONTAINS INFORMATION THAT IS PROPRIETARY TO MOLEX INC. & SHOULD NOT BE USED WITHOUT WRITTEN PERMISSION
			INCH		(METRIC)																		
			3 PLACE ± . ---																				
2 PLACE ± . ---																							
1 PLACE ± ---																							
DRAFT WHERE APPLICABLE MUST REMAIN WITHIN DIMENSIONS	APP'D BY	TITLE C-GRID III DUAL ROW STRAIGHT PIN HEADER																					
DESIGN DIMENSION (PRIMARY) <input checked="" type="checkbox"/> IN. (MM)	SCALE	MOLLEX MOLEX EUROPE		SHEET NO. DATE 20F 16/ 7/87																			
EQUIVALENT DIMENSION (SECONDARY) <input type="checkbox"/> IN. (MM)		PART NO. SEE CHART		DWG NO. SDA-90131	SIZE B																		