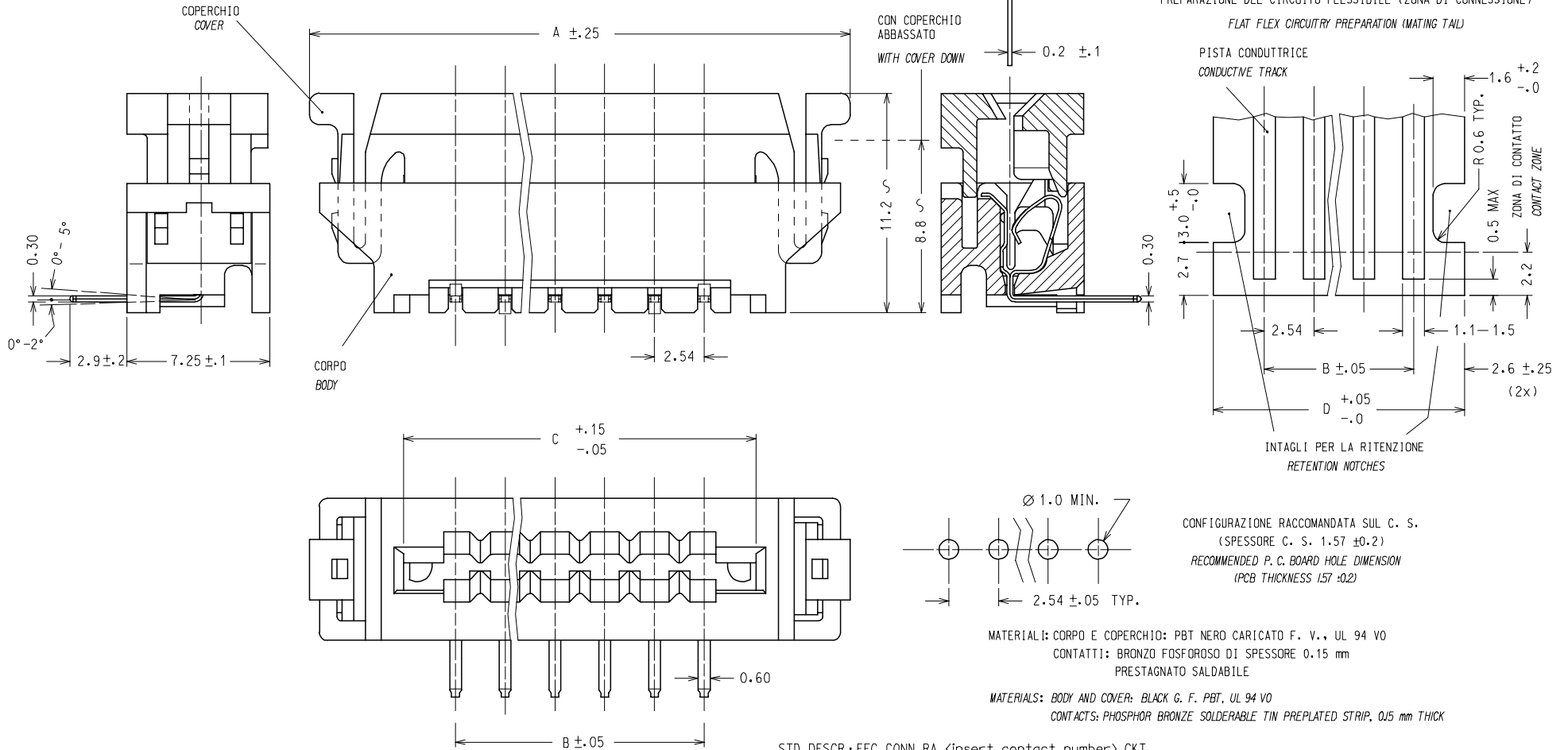


10 9 8 7 6 5 4 3 2 1

COPERCHIO ALZATO: I CONTATTI SONO APERTI PER UN AGEVOLE INSERIMENTO DEL CIRCUITO FLESSIBILE
 COVER UP: CONTACTS ARE OPEN FOR AN EASY INSERTION OF THE FLEX CIRCUITRY
 COPERCHIO ABBASSATO: I CONTATTI SONO PREMUTI CONTRO LE PISTE
 COVER DOWN: CONTACTS ARE CLOSED ON THE TRACKS

CIRCUITO FLESSIBILE (SPESSORE TIPICO)
 FLEX CIRCUITRY (TYPICAL THICKNESS)

PREPARAZIONE DEL CIRCUITO FLESSIBILE (ZONA DI CONNESSIONE)
 FLAT FLEX CIRCUITRY PREPARATION (MATING TAIL)



CONFIGURAZIONE RACCOMANDATA SUL C. S.
 (SPESSORE C. S. 1.57 ±0.2)
 RECOMMENDED P. C. BOARD HOLE DIMENSION
 (PCB THICKNESS 157 ±0.2)

MATERIALI: CORPO E COPERCHIO: PBT NERO CARICATO F. V., UL 94 VO
 CONTATTI: BRONZO FOSFOROSO DI SPESSORE 0.15 mm
 PRESTAGNATO SALDABILE
 MATERIALS: BODY AND COVER: BLACK G. F. PBT, UL 94 VO
 CONTACTS: PHOSPHOR BRONZE SOLDERABLE TIN PREPLATED STRIP, 0.15 mm THICK

STD. DESCR.: FFC CONN RA <insert contact number> CKT

NOTE: 1) IL PRODOTTO VIENE FORNITO IN TUBI (VEDI FOGLIO 2/2)
 2) CARATTERISTICHE TECNICHE E FUNZIONALI COME DA PS 90500.
 3) LUNGHEZZA MINIMA DI ESPOSIZIONE DELLE PISTE
 NOTE: 1) PRODUCT WILL BE SUPPLIED PACKAGED IN A TUBE (SEE SHEET 2/2)
 2) TECHNICAL CHARACTERISTICS AS INDICATED IN PS90500.
 3) MINIMUM EXPOSED LENGTH OF TRACKS

EC NO: Z2005-0177	2005/05/19	2005/05/20
DRWN:SBARBIER	2005/05/20	2005/05/20
CHKD:RSANDANO	2005/05/20	2005/05/20
APPR:FBI SELLO	2005/05/20	2005/05/20
REV	DESCRIPTION	
C1		

QUALITY SYMBOLS
 ▽=0
 ▽=0

GENERAL TOLERANCES (UNLESS SPECIFIED)	
mm	INCH
4 PLACES ± ---	± ---
3 PLACES ± ---	± ---
2 PLACES ± 0.05	± ---
1 PLACE ± 0.10	± ---
ANGULAR ± 2 °	
DRAFT WHERE APPLICABLE MUST REMAIN WITHIN DIMENSIONS	

DIMENSION STYLE	
MM ONLY	
DRAWN BY	DATE
SBARBIER I	1993/09/09
CHECKED BY	DATE
APPROVED BY	DATE
MPREVIATO	1993/09/09
MATERIAL NO.	
SIZE	SEE SHT 2
A3	

SCALE	DESIGN UNITS	FIRST ANGLE PROJECTION	
5:1	METRIC		
TITLE			
FFC CONNECTOR RIGHT ANGLE VERSION			
MOLEX MOLEX INCORPORATED			
DOCUMENT NO.			SHEET NO.
SD-90500-006			1 OF 2
THIS DRAWING CONTAINS INFORMATION THAT IS PROPRIETARY TO MOLEX INCORPORATED AND SHOULD NOT BE USED WITHOUT WRITTEN PERMISSION			

9 8 7 6 5 4 3 2 1

10 9 8 7 6 5 4 3 2 1

N° . DI CODICE PART. NO.	ATTREZZAGGIO TOOLING	N° . VIE CCT NO.	DIM "A"	DIM "B"	DIM "C"	DIM "D"	N° . CONN./TUBO CONN. NO./TUBE	N° . CONN./SCATOLA CONN. NO./BOX (SPQ)
90500-4002	NON ATTREZZATO NOT TOOLED	2						
90500-4003	"	3						
90500-4004	ATTREZZATO TOOLED	4	22.52	7.62	12.92	12.82	24	3456
90500-4005	"	5	25.06	10.16	15.46	15.36	21	3024
90500-4006	"	6	27.60	12.70	18.00	17.90	19	2736
90500-4007	"	7	30.14	15.24	20.54	20.44	17	2448
90500-4008	"	8	32.68	17.78	23.08	22.98	16	2304
90500-4009	"	9	35.22	20.32	25.62	25.52	15	2160
90500-4010	"	10	37.76	22.86	28.16	28.06	14	2016
90500-4011	"	11	40.30	25.40	30.70	30.60	13	1872
90500-4012	"	12	42.84	27.94	33.24	33.14	12	1728
90500-4013	"	13	45.38	30.48	35.78	35.68	11	1584
90500-4014	"	14	47.92	33.02	38.32	38.22	11	1584
90500-4015	"	15	50.46	35.56	40.86	40.76	10	1440
90500-4016	"	16	53.00	38.10	43.40	43.30	10	1440
90500-4017	"	17	55.54	40.64	45.94	45.84	9	1296
90500-4018	"	18	58.08	43.18	48.48	48.38	9	1296
90500-4019	"	19	60.62	45.72	51.02	50.92	8	1152
90500-4020	"	20	63.16	48.26	53.56	53.46	8	1152

EC NO: Z2005-0177 DRWNS:SBARBIER 2005/05/19 CHKD:RSANDANO 2005/05/20 APPR:FBISELLO 2005/05/20 REV DESCRIPTION	QUALITY SYMBOLS	GENERAL TOLERANCES (UNLESS SPECIFIED)	DIMENSION STYLE MM ONLY	SCALE 5:1	DESIGN UNITS METRIC	FIRST ANGLE PROJECTION																																
	$\nabla=0$ $\sphericalangle=0$	<table border="1"> <tr><th></th><th>mm</th><th>INCH</th></tr> <tr><td>4 PLACES</td><td>± ---</td><td>± ---</td></tr> <tr><td>3 PLACES</td><td>± ---</td><td>± ---</td></tr> <tr><td>2 PLACES</td><td>± 0.05</td><td>± ---</td></tr> <tr><td>1 PLACE</td><td>± 0.10</td><td>± ---</td></tr> <tr><td colspan="3">ANGULAR ± 2 °</td></tr> </table>		mm	INCH	4 PLACES	± ---	± ---	3 PLACES	± ---	± ---	2 PLACES	± 0.05	± ---	1 PLACE	± 0.10	± ---	ANGULAR ± 2 °			<table border="1"> <tr><th>DRAWN BY</th><th>DATE</th></tr> <tr><td>SBARBIERI</td><td>1993/09/09</td></tr> <tr><th>CHECKED BY</th><th>DATE</th></tr> <tr><td></td><td></td></tr> <tr><th>APPROVED BY</th><th>DATE</th></tr> <tr><td>MPREVIATO</td><td>1993/09/09</td></tr> <tr><th>MATERIAL NO.</th><td></td></tr> </table>	DRAWN BY	DATE	SBARBIERI	1993/09/09	CHECKED BY	DATE			APPROVED BY	DATE	MPREVIATO	1993/09/09	MATERIAL NO.		TITLE		
		mm	INCH																																			
	4 PLACES	± ---	± ---																																			
3 PLACES	± ---	± ---																																				
2 PLACES	± 0.05	± ---																																				
1 PLACE	± 0.10	± ---																																				
ANGULAR ± 2 °																																						
DRAWN BY	DATE																																					
SBARBIERI	1993/09/09																																					
CHECKED BY	DATE																																					
APPROVED BY	DATE																																					
MPREVIATO	1993/09/09																																					
MATERIAL NO.																																						
	DRAFT WHERE APPLICABLE MUST REMAIN WITHIN DIMENSIONS	SEE TABLE	FFC CONNECTOR RIGHT ANGLE VERSION MOLEX INCORPORATED																																			
C1			SIZE A3	DOCUMENT NO. SD-90500-006	SHEET NO. 2 OF 2																																	

9 8 7 6 5 4 3 2 1