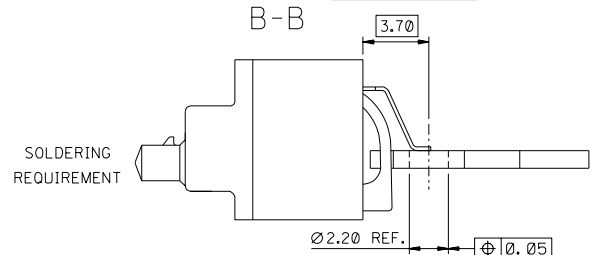
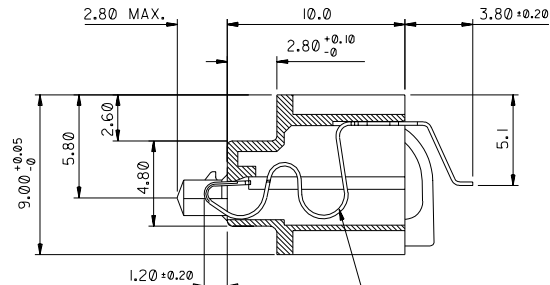
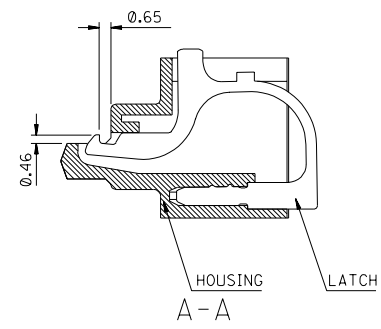
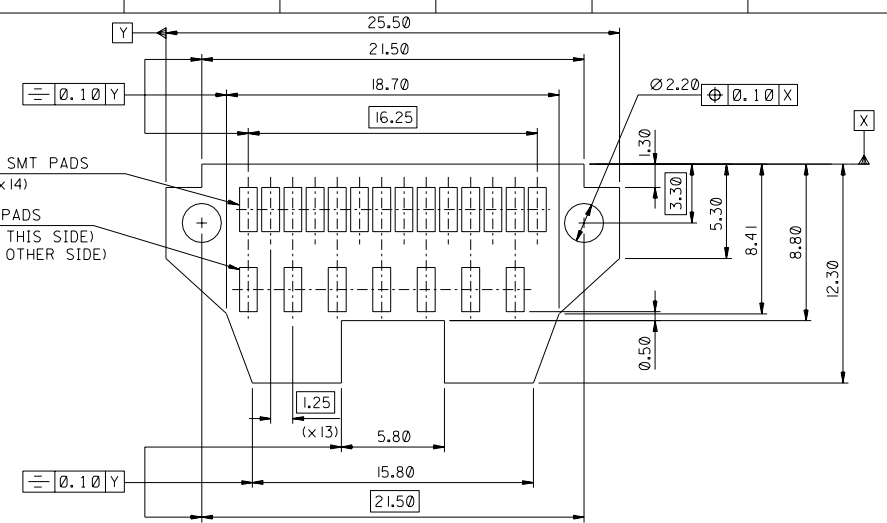


CONNECTOR SMT PADS
1.00x2.50 (x14)

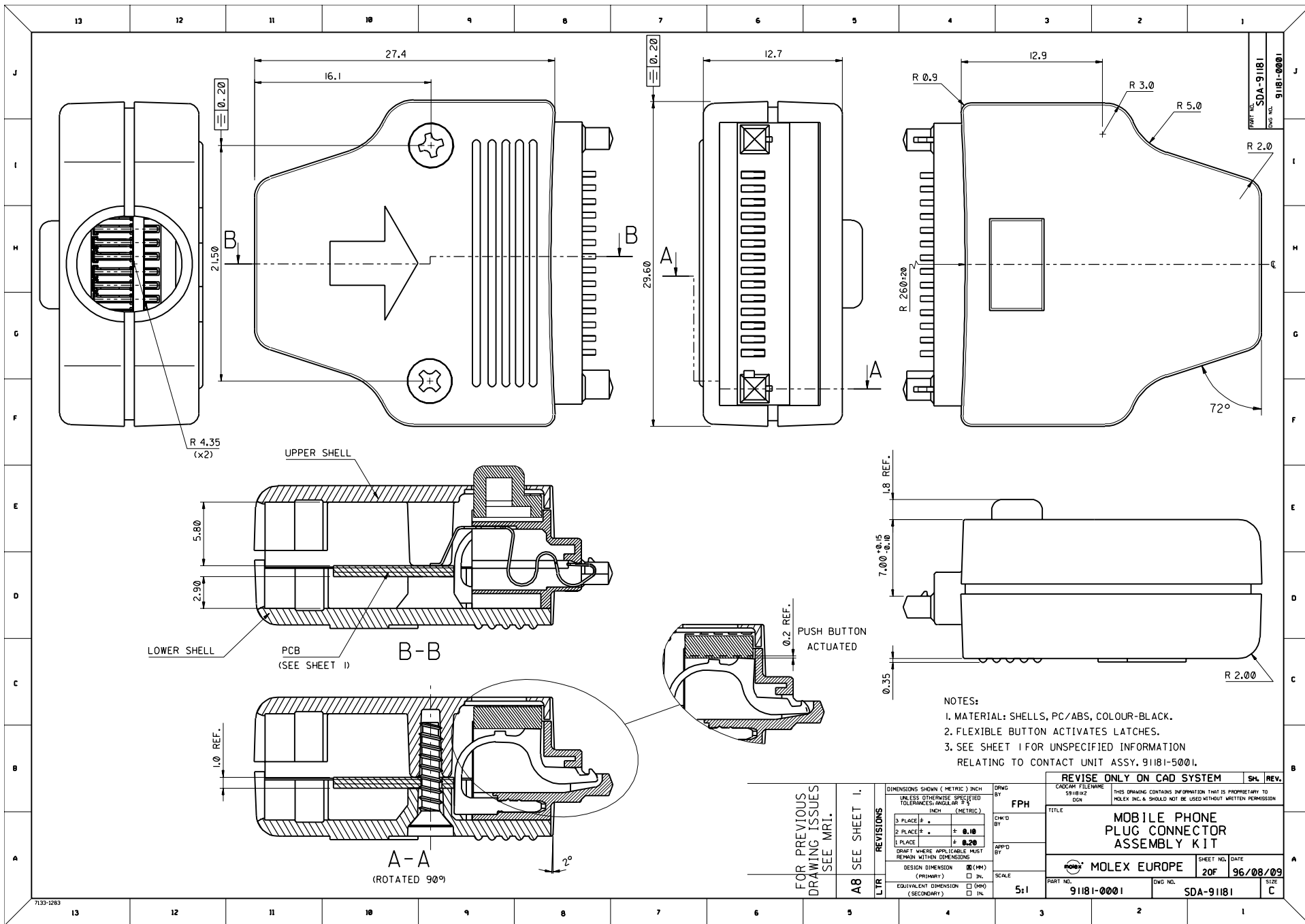
WIRE SOLDER PADS
1.00x2.50 (x7 THIS SIDE)
1.00x2.50 (x7 OTHER SIDE)



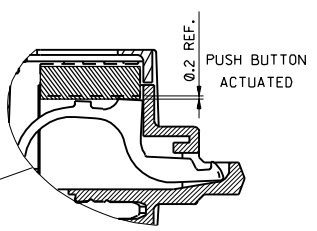
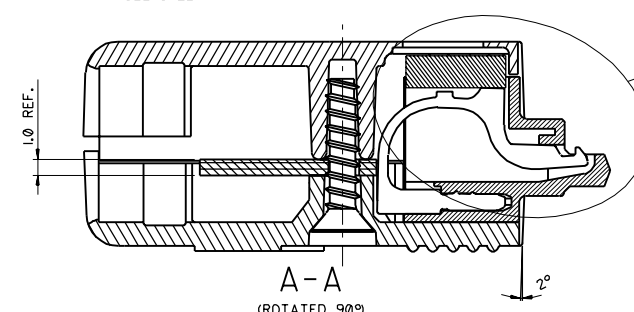
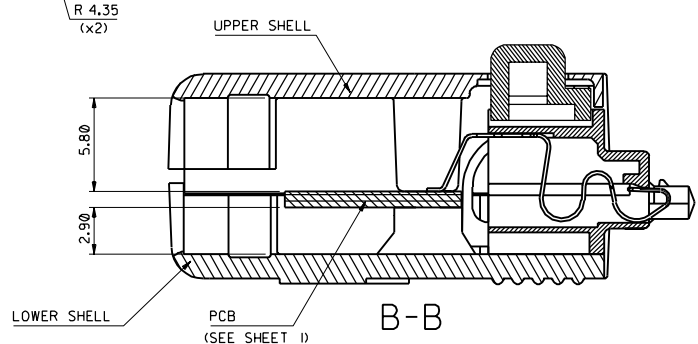
- NOTES:
- MATERIALS: HOUSING: G.F. NYLON-46, COLOUR-BLACK.
SIGNAL TERMINALS: $\varnothing 2.20$ REF. THK. PHOSPHOR BRONZE.
PLATING: SOLDER AREA: 2um MIN. Sn OVER Ni,
CONTACT AREA: GOLD FLASH OVER PdNi OVER Ni.
LATCH: $\varnothing 0.40$ REF. THK. EXTRA HARD 301 STAINLESS STEEL.
 - PACKAGING: TRAY.
 - SOLDER I.D. RIB RAISED $\varnothing 0.20$ ABOVE FLOOR OF WELL, $\varnothing 0.20$ MAX DEEP.

REMOVE LEAD EC NO. E20040574 DRW/DCARTON 04/02/26 CHK: / / / APPR: / / /	DESCRIPTION MAJOR CRITICAL C=	QUALITY SYMBOLS	GENERAL TOLERANCES: (UNLESS SPECIFIED)		SCALE 5:1	DESIGN UNITS <input checked="" type="checkbox"/> mm <input type="checkbox"/> INCH	THIRD ANGLE PROJECTION <input checked="" type="checkbox"/> THIRD ANGLE	DIMENSIONS:		SHT	REV
			mm	INCH				<input type="checkbox"/> mm <input type="checkbox"/> INCH	<input type="checkbox"/> mm <input type="checkbox"/> INCH		
REV	D	4 PLACES	±0.	±.	DRAWN BY & DATE DMCNAMAR 01/08/23	CHECKED BY & DATE BMAGUIRE 01/08/23	TITLE: MOBILE PHONE CONTACT UNIT				
			2 PLACES	±0.05							
		1 PLACE	±0.10	±.	CAD FILENAME	MATERIAL NO. 91181-5001	DRAWING NO. SDA-91181-	MOLEX INCORPORATED		SHEET NO. 1 OF 3	SIZE C
DRAFT WHERE APPLICABLE MUST REMAIN WITHIN DIMENSIONS						THIS DRAWING CONTAINS INFORMATION THAT IS PROPRIETARY TO MOLEX INCORPORATED AND SHOULD NOT BE USED WITHOUT WRITTEN PERMISSION.					

PART NO. 91181-5001
DWG NO. SDA-91181



PART NO. SDA-91181
 DOC. NO. 91181-0001



- NOTES:
1. MATERIAL: SHELLS, PC/ABS, COLOUR-BLACK.
 2. FLEXIBLE BUTTON ACTIVATES LATCHES.
 3. SEE SHEET I FOR UNSPECIFIED INFORMATION RELATING TO CONTACT UNIT ASSY, 91181-5001.

FOR PREVIOUS DRAWING ISSUES SEE MRI.

AB SEE SHEET I.

DIMENSIONS SHOWN (METRIC) INCH		DRWG BY
INCH	(METRIC)	
3 PLACE #		FPH
2 PLACE #	± 0.10	CHK'D BY
1 PLACE #	± 0.20	APP'D BY
SMALL WHERE APPLICABLE MUST REMAIN WITHIN DIMENSIONS		SCALE
DESIGN DIMENSION (PRIMARY)	<input type="checkbox"/> IN. <input checked="" type="checkbox"/> MM	5:1
EQUIVALENT DIMENSION (SECONDARY)	<input type="checkbox"/> IN. <input type="checkbox"/> MM	

REVISE ONLY ON CAD SYSTEM			SHL	REV.
CAD/CAM FILE NAME	THIS DRAWING CONTAINS INFORMATION THAT IS PROPRIETARY TO MOLEX INC. & SHOULD NOT BE USED WITHOUT WRITTEN PERMISSION			
SPRIB02	TITLE			
MOBILE PHONE PLUG CONNECTOR ASSEMBLY KIT				
MOLEX			SHEET NO.	DATE
MOLEX EUROPE			20F	96/08/09
PART NO.	DWG. NO.	SCALE	SIZE	
91181-0001	SDA-91181	5:1	C	