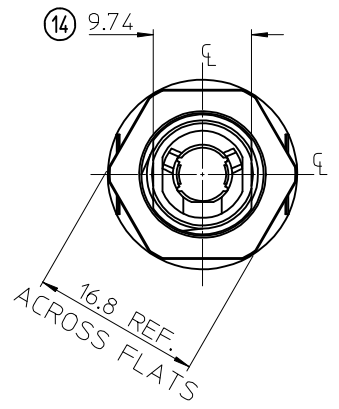
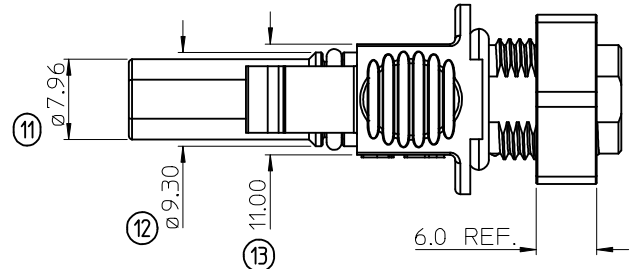
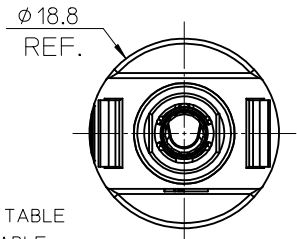
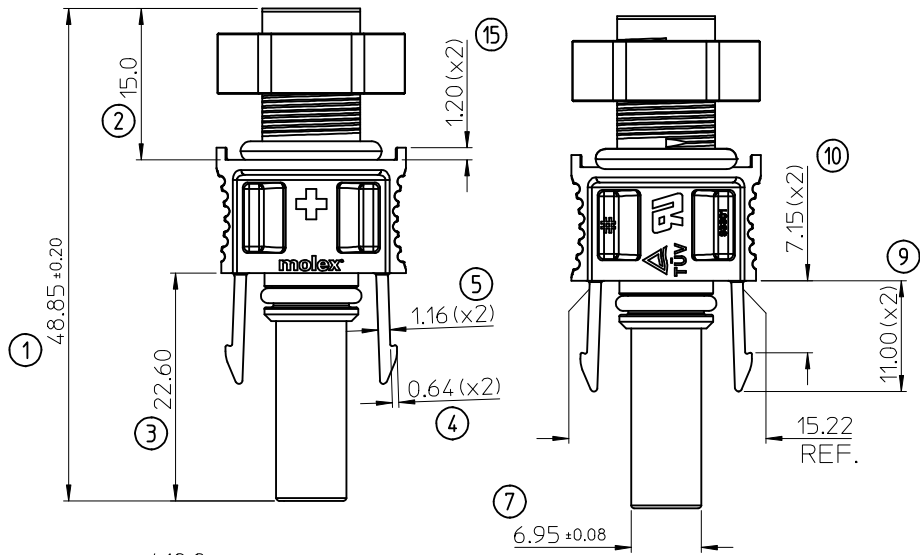
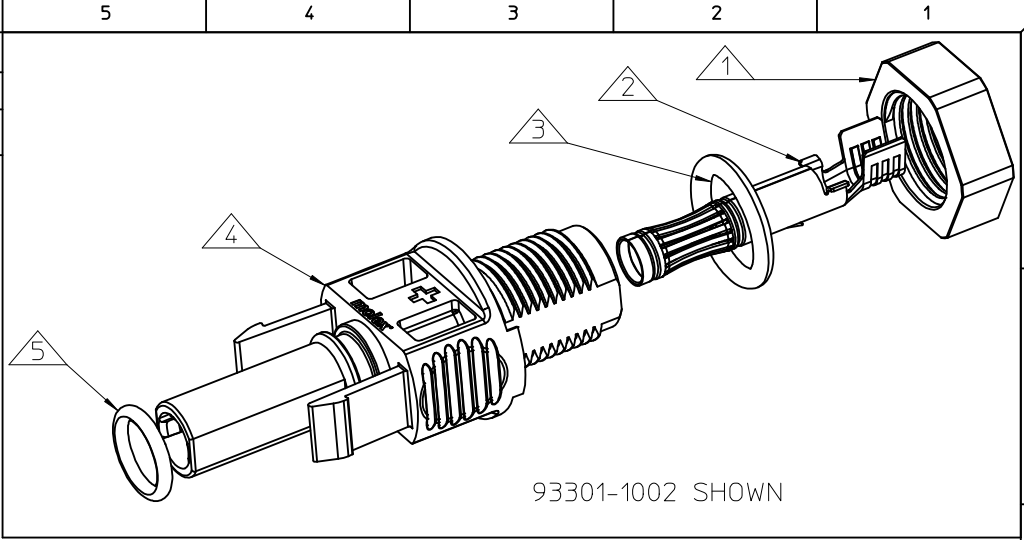


10	9	8	7	6
PART NUMBER	CRIMP SIZE	TERMINAL LOOSE	TERMINAL CHAIN	
93301-1001	2.5MM ² (14AWG)	933030005	933030003	
93301-1002	4-6MM ² (12-10AWG)	933030006	933030004	



NOTES:

1. MATERIALS: SEE TABLE
2. FINISHES: SEE TABLE
3. PRODUCT SPECIFICATION: PS-93301-001
4. PACKAGING SPECIFICATION: PK-93301-001(bulk packed)
PK-93301-004(single packed).
5. ASSEMBLY IS ROHS COMPLIANT.
6. FOR DUSTCAPS PLEASE REFER TO SD-93301-009

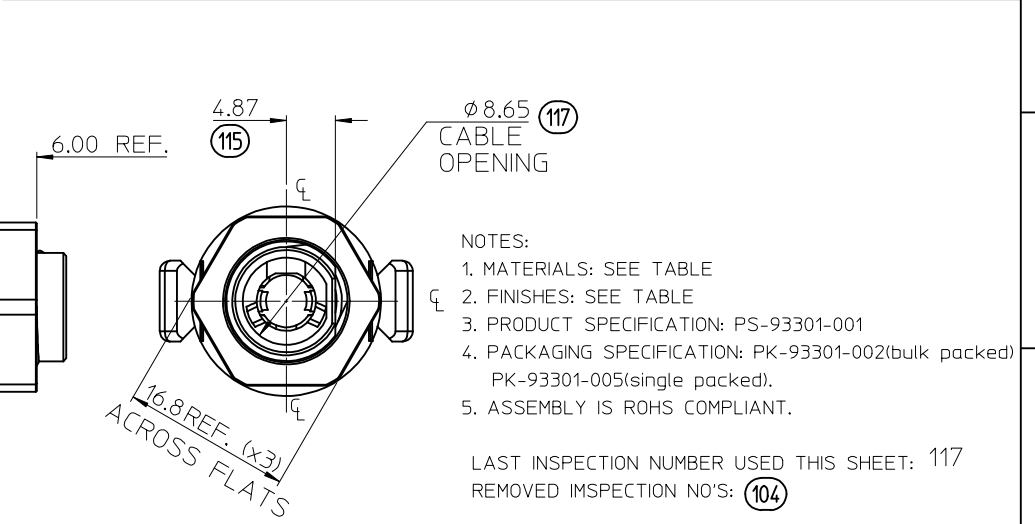
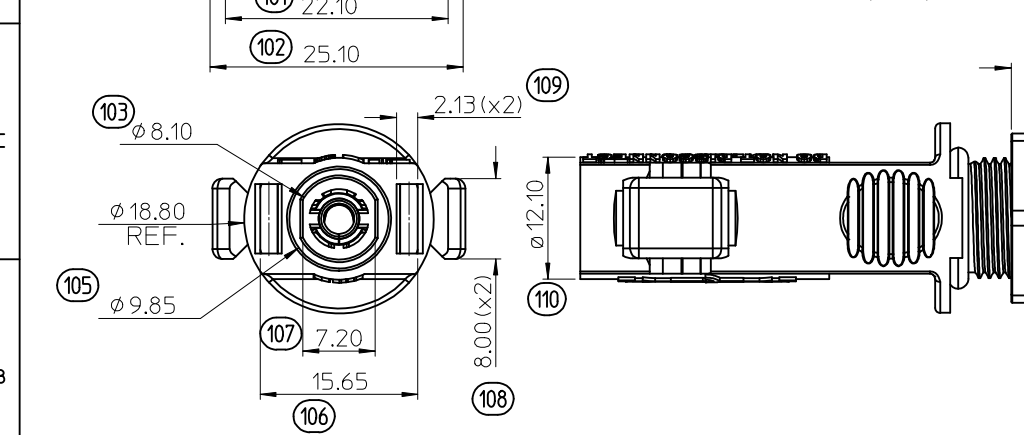
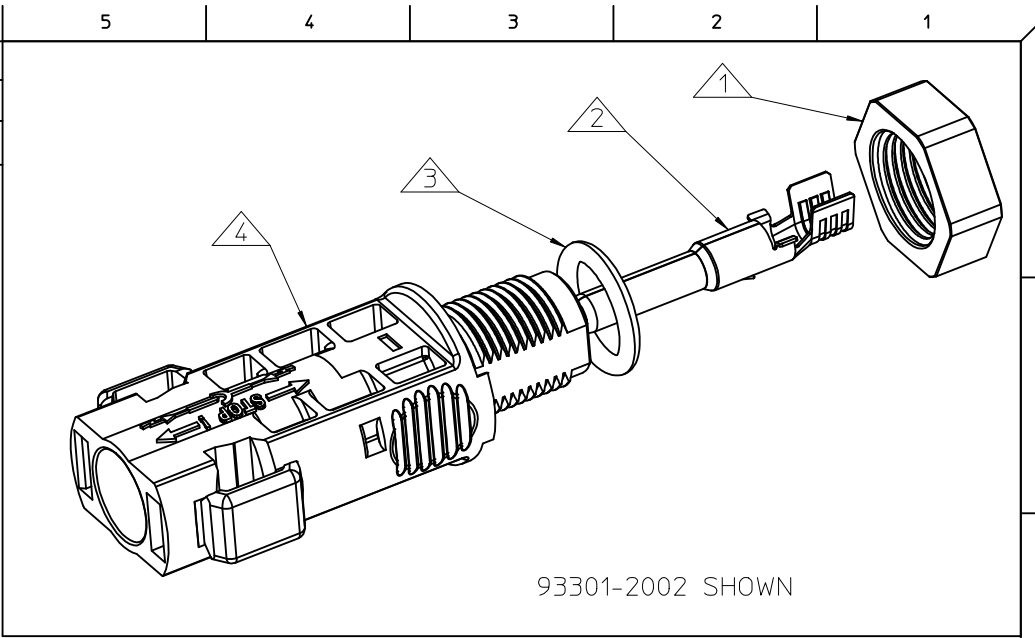
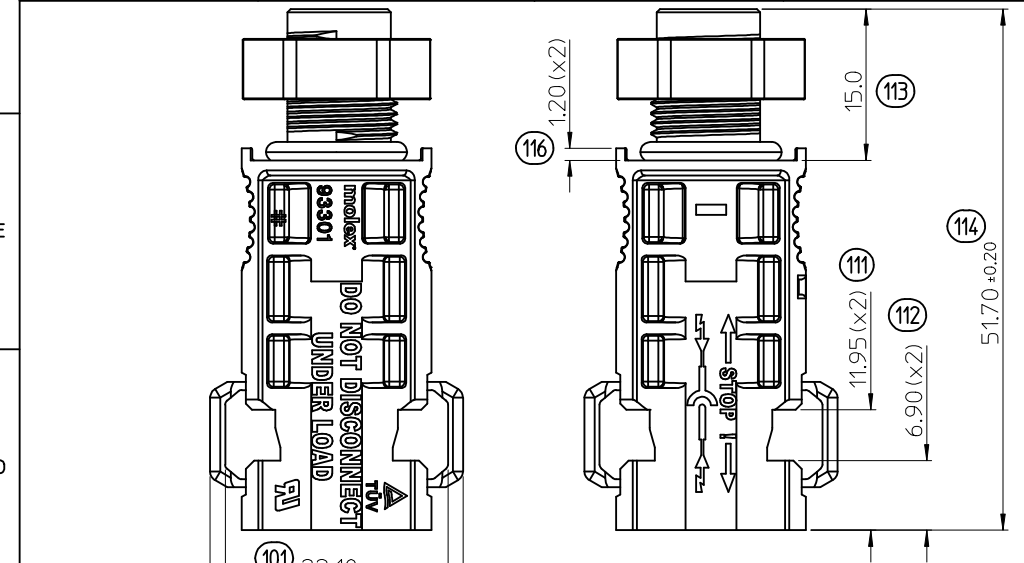
LAST INSPECTION NUMBER USED THIS SHEET: 15
REMOVED INSPECTION NO'S: 6 8

ITEM	QTY	DESCRIPTION	MATERIAL	FINISH
1	1	M12 X 1.0 NUT	PC.	BLACK
2	1	SOCKET TERMINAL	COPPER ALLOY	SELECTIVE SILVER
3	1	2.0 X 10.0 O-RING	SILICONE	TRANSLUCENT
4	1	SOCKET HOUSING	PC	BLACK
5	1	1.5 X 7.0 O-RING	SILICONE	TRANSLUCENT

F.P.I.R. UPDATES EC NO: IPG2012-0274 DRW:DBYRNES 2011/08/18 CHKD:SMCGREEVY 2012/11/29 APPR:ST.GRIFFIN 2013/03/05	QUALITY SYMBOLS	GENERAL TOLERANCES (UNLESS SPECIFIED)	DIMENSION STYLE	SCALE	DESIGN UNITS	THIRD ANGLE PROJECTION															
	$\nabla=0$ $\sphericalangle=0$	<table border="1"> <tr> <th></th> <th>mm</th> <th>INCH</th> </tr> <tr> <td>4 PLACES</td> <td>± ---</td> <td>± ---</td> </tr> <tr> <td>3 PLACES</td> <td>± ---</td> <td>± ---</td> </tr> <tr> <td>2 PLACES</td> <td>± 0.15</td> <td>± ---</td> </tr> <tr> <td>1 PLACE</td> <td>± 0.25</td> <td>± ---</td> </tr> </table>		mm	INCH	4 PLACES	± ---	± ---	3 PLACES	± ---	± ---	2 PLACES	± 0.15	± ---	1 PLACE	± 0.25	± ---	MM ONLY	2:1	METRIC	
		mm	INCH																		
	4 PLACES	± ---	± ---																		
3 PLACES	± ---	± ---																			
2 PLACES	± 0.15	± ---																			
1 PLACE	± 0.25	± ---																			
DESCRIPTION	DRAFT WHERE APPLICABLE MUST REMAIN WITHIN DIMENSIONS	DRAWN BY: DBYRNES DATE: 2010/12/03 CHECKED BY: SMCGREEVY DATE: 2010/12/06 APPROVED BY: EFOLAN DATE: 2011/02/08	TITLE	SOLAR DC PANEL MOUNT 14 -10 AWG																	
REV		SIZE	SEE CHART	MATERIAL NO.	DOCUMENT NO.	SHEET NO.															
		A3				1 OF 3															

THIS DRAWING CONTAINS INFORMATION THAT IS PROPRIETARY TO MOLEX INCORPORATED AND SHOULD NOT BE USED WITHOUT WRITTEN PERMISSION	
---	--

10	9	8	7	6
PART NUMBER	CRIMP SIZE	TERMINAL LOOSE	TERMINAL CHAIN	
93301-2001	2.5MM ² (14AWG)	933020005	933020003	
93301-2002	4-6MM ² (12-10AWG)	933020006	933020004	



ITEM	QTY	DESCRIPTION	MATERIAL	FINISH
1	1	M12 X 1.0 NUT	PC.	BLACK
2	1	PIN TERMINAL	COPPER ALLOY	SELECTIVE SILVER
3	1	2.0 X 10.0 O-RING	SILICONE	TRANSLUCENT
4	1	PIN HOUSING	PC	BLACK

SEE SHEET 1
EC NO: IPG2012-0274
DRAWN BY: DBYRNES 2011/08/18
CHKD BY: SMCGREEVY 2012/11/29
APPR: ST. GRIFFIN 2013/03/05

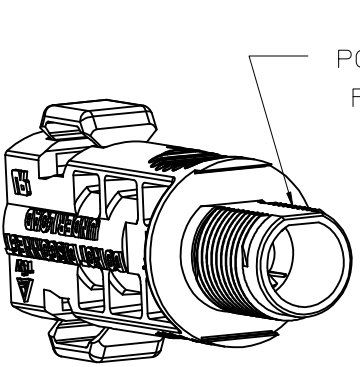
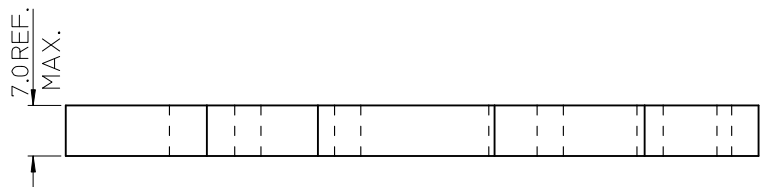
QUALITY SYMBOLS

 ▽=0
 ◻=0

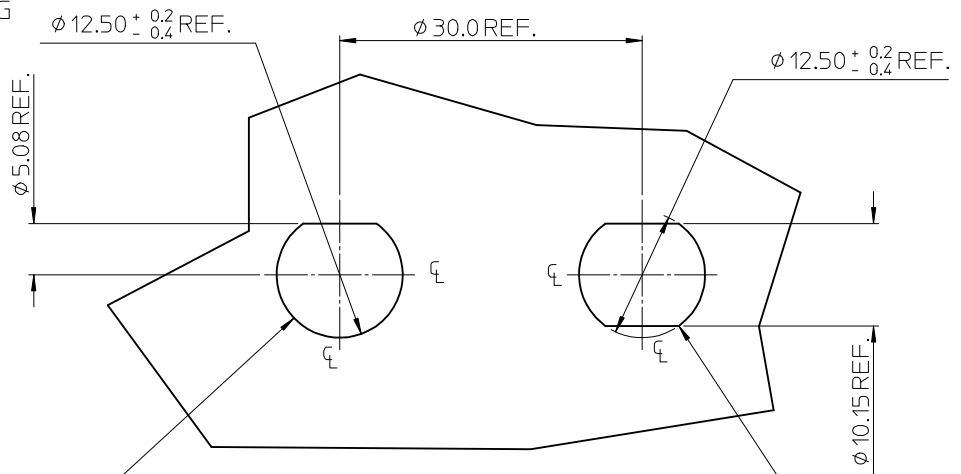
GENERAL TOLERANCES (UNLESS SPECIFIED)		DIMENSION STYLE		SCALE	DESIGN UNITS	THIRD ANGLE PROJECTION	
		MM ONLY		2:1	METRIC		
4 PLACES	± ---	mm	INCH	DRAWN BY	DATE	TITLE	
3 PLACES	± ---			CHECKED BY	DATE	SOLAR DC PANEL MOUNT	
2 PLACES	± 0.15			APPROVED BY	DATE	14 -10 AWG	
1 PLACE	± 0.25			EFOLAN	2011/02/08	MOLEX INCORPORATED	
ANGULAR ± 2 °		DRAFT WHERE APPLICABLE MUST REMAIN WITHIN DIMENSIONS		MATERIAL NO.		DOCUMENT NO.	
		SIZE A3		SEE CHART		SD-93301-001	
THIS DRAWING CONTAINS INFORMATION THAT IS PROPRIETARY TO MOLEX INCORPORATED AND SHOULD NOT BE USED WITHOUT WRITTEN PERMISSION							

SHEET NO. 2 OF 3

RECOMMENDED PANEL LAYOUT

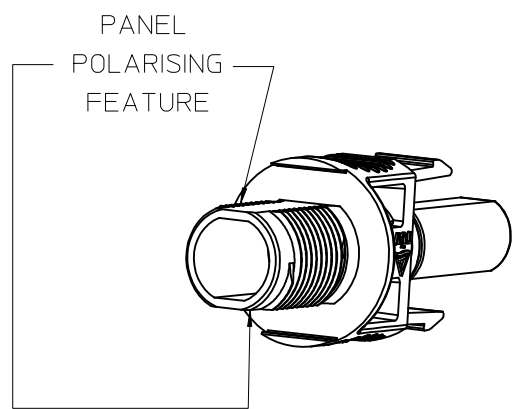


PANEL POLARISING FEATURE



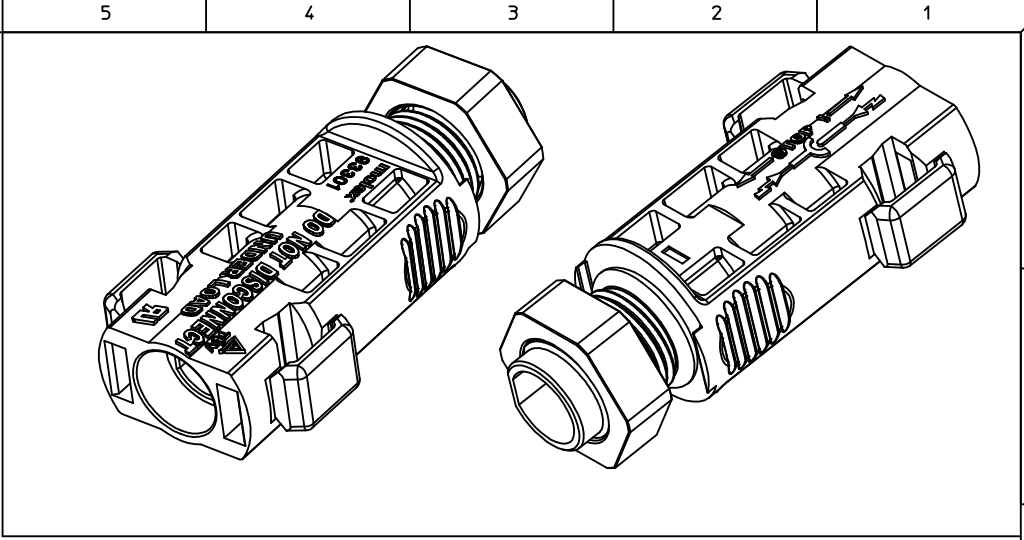
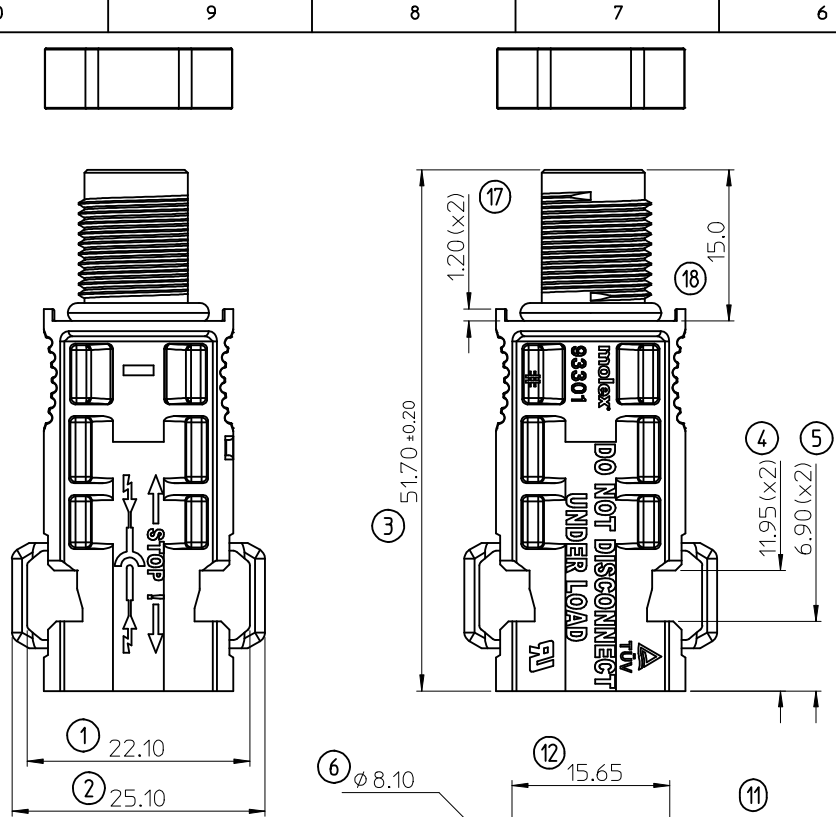
PIN OPENING (MALE)

SOCKET OPENING (FEMALE)

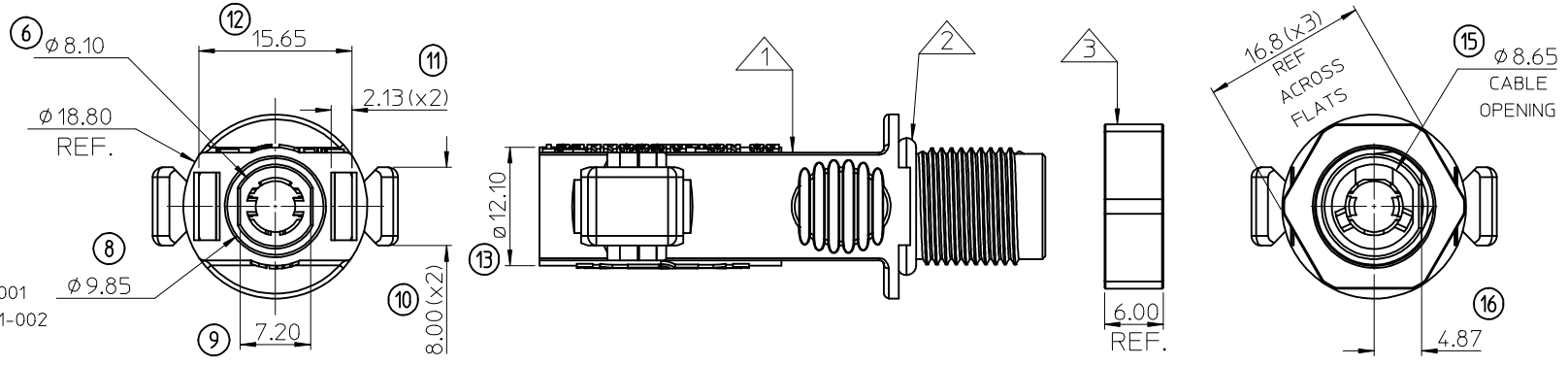


PANEL POLARISING FEATURE

SEE SHEET 1 EC NO: IPG2012-0274 DRWN:DBYRNES 2011/08/18 CHKD:SMCGREEVY 2012/11/29 APPR:STGRIFFIN 2013/03/05	QUALITY SYMBOLS	GENERAL TOLERANCES (UNLESS SPECIFIED)	DIMENSION STYLE	SCALE	DESIGN UNITS	THIRD ANGLE PROJECTION
	▽=0 ◻=0	mm INCH 4 PLACES ± --- ± --- 3 PLACES ± --- ± --- 2 PLACES ± 0.15 ± --- 1 PLACE ± 0.25 ± --- ANGULAR ± 2 °	MM ONLY	2:1	METRIC	
	DESCRIPTION	DRAWN BY	DATE	TITLE		
		DBYRNES	2010/12/03	SOLAR DC PANEL MOUNT 14 -10 AWG		
REV		CHECKED BY	DATE	MOLEX INCORPORATED		
		SMCGREEVY	2010/12/06	DOCUMENT NO.		
		APPROVED BY	DATE	SD-93301-001		
		EFOLAN	2011/02/08	SHEET NO.		
		MATERIAL NO.	N/A	3 OF 3		
		SIZE	A3	THIS DRAWING CONTAINS INFORMATION THAT IS PROPRIETARY TO MOLEX INCORPORATED AND SHOULD NOT BE USED WITHOUT WRITTEN PERMISSION		



CONTACT USED: SEE SD-93302-001



- NOTES:
1. MATERIALS: SEE TABLE
 2. FINISHES: SEE TABLE
 3. PRODUCT SPECIFICATION: PS-93301-001
 4. PACKAGING SPECIFICATION: PK-93301-002
 5. MATES WITH: 130244-1201/1203
 6. ASSEMBLY IS ROHS COMPLIANT
 7. ASSEMBLY IS DELIVERED WITH PANEL NUT LOOSE IN BAG.
 8. FOR DUSTCAPS PLEASE REFER TO SD-93301-009

LAST INSPECTION No: 18
 REMOVED INSPECTION No'S: (7) (14)

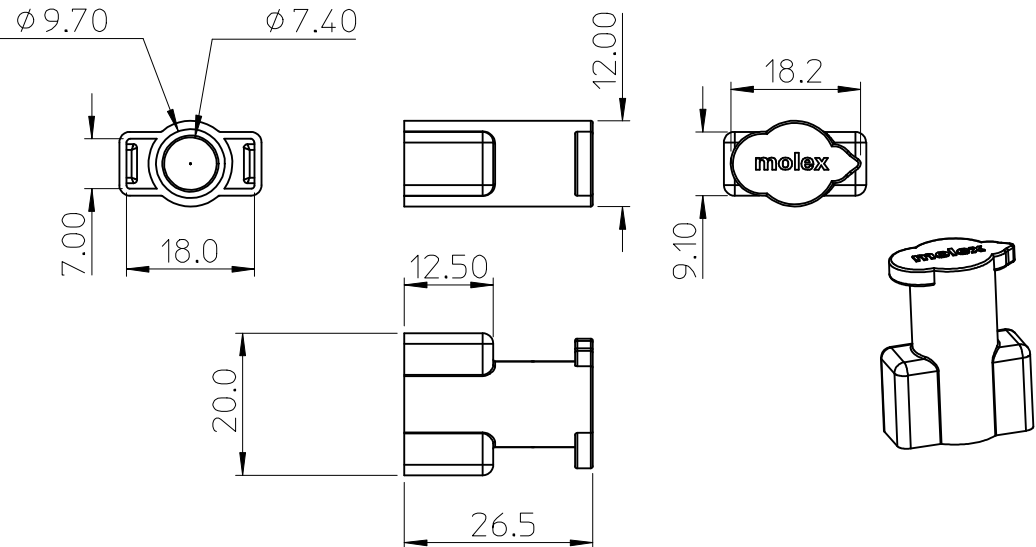
ITEM	QTY	DESCRIPTION	MATERIAL	FINISH
3	1	PANEL NUT	POLYCARBONATE(PC)	BLACK
2	1	O-RING PANEL SEAL	SILICONE	DARK GREY
1	1	PIN HOUSING	POLYCARBONATE(PC)	BLACK

F.P.I.R. UPDATES	EC NO: IPG2012-0274	2011/09/20
DRW:DBYRNES	2011/09/20	
CHKD:SMCGREEVY	2012/11/29	
APPR:STORIFFIN	2013/03/05	

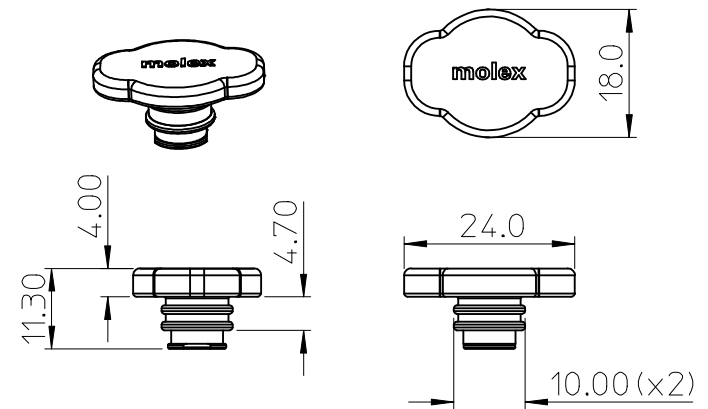
QUALITY SYMBOLS	GENERAL TOLERANCES (UNLESS SPECIFIED)	DIMENSION STYLE	SCALE	DESIGN UNITS	THIRD ANGLE PROJECTION
▽=0	mm INCH	MM ONLY	2:1	METRIC	THIRD ANGLE PROJECTION
▽=0	4 PLACES ± --- ± ---	DRAWN BY	DATE	TITLE	
	3 PLACES ± --- ± ---	DBYRNES	2011/06/22	SOLARSPEC PANEL MOUNT DC	
	2 PLACES ± 0.15 ± ---	CHECKED BY	DATE	PIN ASSY CONNECTOR	
	1 PLACE ± 0.25 ± ---	SMCGREEVY	2011/08/16	14 - 10 AWG	
	ANGULAR ± 2 °	APPROVED BY	DATE	MOLEX INCORPORATED	
		EFOLAN	2011/08/26		
		MATERIAL NO.	DOCUMENT NO.		
		933010201	SD-93301-003		

DRAFT WHERE APPLICABLE	SIZE	THIS DRAWING CONTAINS INFORMATION THAT IS PROPRIETARY TO MOLEX INCORPORATED AND SHOULD NOT BE USED WITHOUT WRITTEN PERMISSION
MUST REMAIN WITHIN DIMENSIONS	A3	

93301-9001



93301-9002



NOTE'S

1. MATERIAL - SILICONE NE-7150
2. PARTS MUST BE RoHS COMPLIANT.
3. SUITABLE FOR USE WITH MOLEX SERIES 93301 & 130244 SOLARSPEC CONNECTORS.
4. PACKAGING SPECIFICATION: SEE CHART.

PART No.	DESCRIPTION	PKG SPEC
93301-9001	FEMALE SOCKET DUST CAP.	PK-93301-011
93301-9002	MALE PIN DUSTCAP.	PK-93301-012

ORIGINAL RELEASE EC NO: IPG2013-0910 DRWN:DBYRNES 2012/09/18 CHKD:CKNOWLES 2012/12/14 APPR:STGRIFFIN 2012/12/14	DESCRIPTION A	QUALITY SYMBOLS	GENERAL TOLERANCES (UNLESS SPECIFIED)	DIMENSION STYLE MM ONLY	SCALE 1:1	DESIGN UNITS METRIC	THIRD ANGLE PROJECTION
		▽=0 ◻=0	mm INCH 4 PLACES ± --- ± --- 3 PLACES ± --- ± --- 2 PLACES ± 0.25 ± --- 1 PLACE ± 0.38 ± --- 0 PLACE ± --- ± ---	DRAWN BY DATE DBYRNES 2012/09/18 CHECKED BY DATE CKNOWLES 2012/12/14 APPROVED BY DATE STGRIFFIN 2012/12/14	TITLE	93301 SERIES SOLARSPEC DUSTCAPS	
		ANGULAR ± 2 °	MATERIAL NO.	DOCUMENT NO.		SHEET NO.	
		DRAFT WHERE APPLICABLE MUST REMAIN WITHIN DIMENSIONS	SEE CHART	SD-93301-009		1 OF 1	
		THIS DRAWING CONTAINS INFORMATION THAT IS PROPRIETARY TO MOLEX INCORPORATED AND SHOULD NOT BE USED WITHOUT WRITTEN PERMISSION					