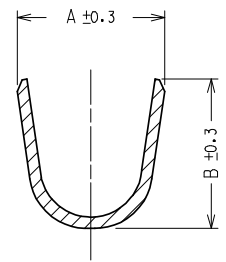
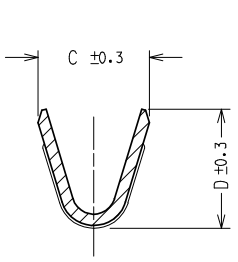


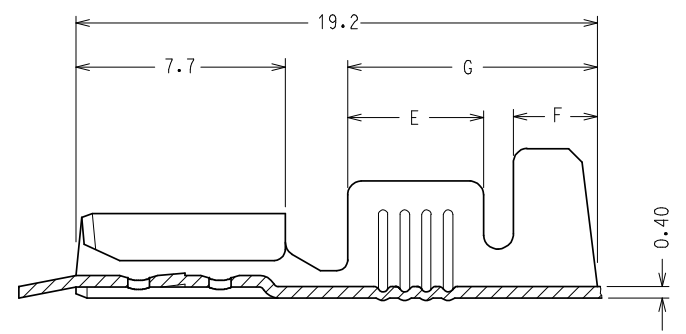
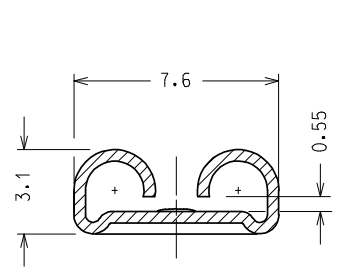
SEZIONE C - C



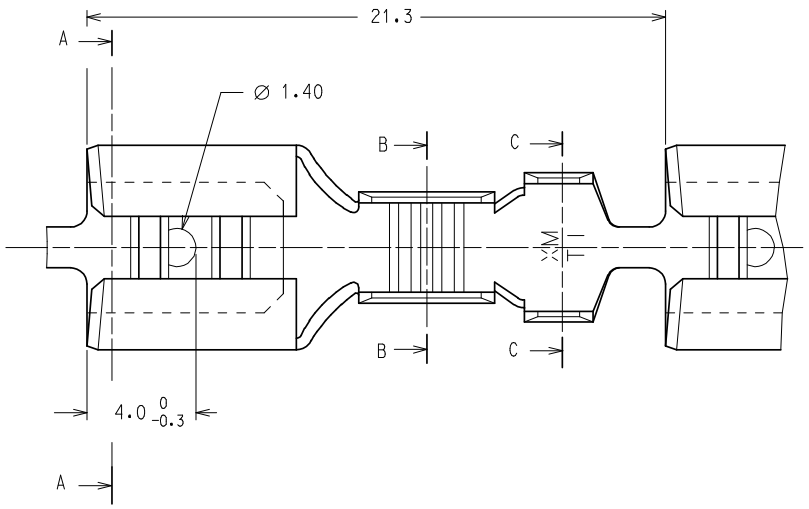
SEZIONE B - B



SEZIONE A - A



CODICE P/N	FINITURA PLATING	MATERIALE MATERIAL	SEZ. RAME WIRE RANGE (mm <sup>2</sup> )	Ø ISOLANTE INS. RANGE (mm)	DIMENSIONI / DIMENSION (mm)							PZ/BOBINA PCS/REEL	S.P.Q.
					A	B	C	D	E	F	G		
94512-0000	GREGGIO/ UNPLATED	OTTONE/ BRASS	0.2 ↔ 0.5	1.2 ↔ 2.1	3.0	2.9	2.3	2.3	3.1	1.8	6.3	7.000	21.000
94512-0001	STAGNATO/ TIN	OTTONE/ BRASS											
94512-0100	GREGGIO/ UNPLATED	OTTONE/ BRASS											
94512-0101	STAGNATO/ TIN	OTTONE/ BRASS											
94512-0111	NICHELATO/ NICKEL	ACCIAIO/ STEEL	0.5 ↔ 1.0	2.0 ↔ 3.3	4.5	4.5	3.0	3.0	4.2	2.4	8.2	7.000	21.000
94512-0130	GREGGIO/ UNPLATED	ALPACCA/ PACKFONG											
94512-0200	GREGGIO/ UNPLATED	OTTONE/ BRASS											
94512-0201	STAGNATO/ TIN	OTTONE/ BRASS											
94512-0211	NICHELATO/ NICKEL	ACCIAIO/ STEEL	1.0 ↔ 2.5	2.7 ↔ 4.3	5.5	5.5	4.1	4.3	5.0	3.1	9.1	6.000	18.000
94512-0230	GREGGIO/ UNPLATED	ALPACCA/ PACKFONG											
94512-0301	STAGNATO/ TIN	OTTONE/ BRASS											
94512-0311	NICHELATO/ NICKEL	ACCIAIO/ STEEL	2.5 ↔ 6.0	3.8 ↔ 5.1	6.0	6.4	5.4	5.6	5.0	3.1	9.1	5.000	15.000



Confezione Standard: 3 Bobine x Scatola

Caratteristiche di Prodotto secondo PS 94512-001

Packaging: 3 Reels x Box

Product Characteristics according to PS 94512-002

Std. Descr.: HRT FEM TERM [material] [plating] [wire range]

EC NO: Z2008-0123 DRWIN: L.SANTESS 2008/02/25 CH'KD: L.SANTESS 2008/02/25 APPR: GZUIN 2008/02/25	QUALITY SYMBOLS ▽=0 ▽C=0	GENERAL TOLERANCES (UNLESS SPECIFIED)		DIMENSION STYLE MM ONLY		SCALE 5:1	DESIGN UNITS METRIC	FIRST ANGLE PROJECTION		
				mm	INCH	DRAWN BY DATE F. GOTTARDO 1989-12-01		HIGH RELIABILITY FEMALE TERMINAL 6.3 X 0.8		
						CHECKED BY DATE M. PREVIATO 1989-12-01				
						APPROVED BY DATE R. MARTUCCI 1989-12-01		MOLEX INCORPORATED DOCUMENT NO. SD-94512-004 SHEET NO. 1 OF 1		
						MATERIAL NO. See chart				
		DRAFT WHERE APPLICABLE MUST REMAIN WITHIN DIMENSIONS		SIZE A3		THIS DRAWING CONTAINS INFORMATION THAT IS PROPRIETARY TO MOLEX INCORPORATED AND SHOULD NOT BE USED WITHOUT WRITTEN PERMISSION				