

**NOTES :**

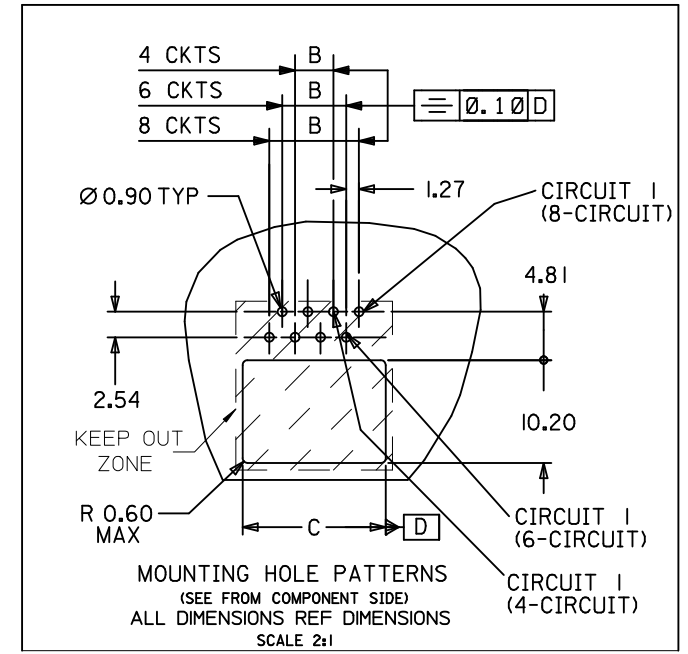
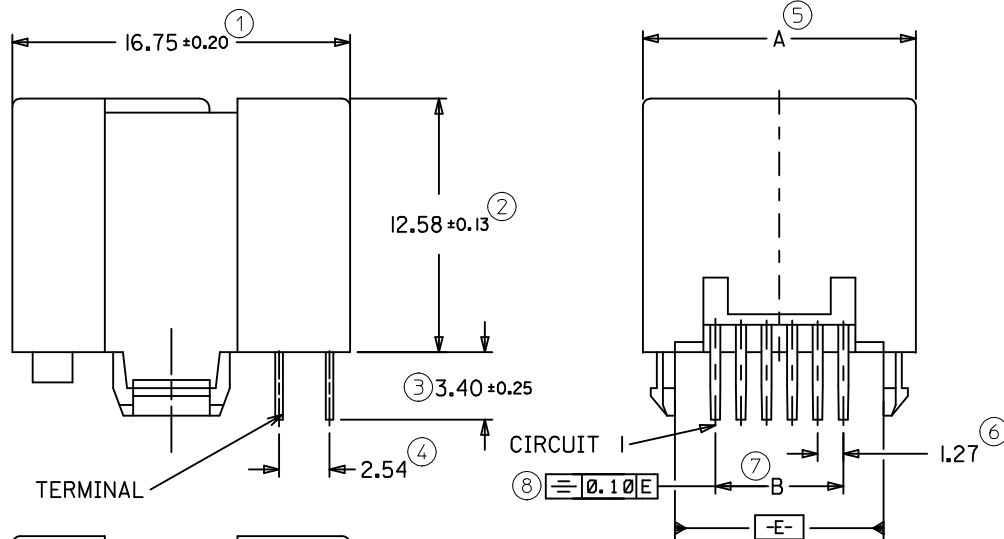
**I- MATERIAL:**

- HOUSING: L C P FIBER GLASS FILLED UL 94-V0 COLOR BLACK.
- MODULE : L C P FIBER GLASS FILLED UL 94-V0 COLOR BLACK.
- TERMINAL: COPPER ALLOY

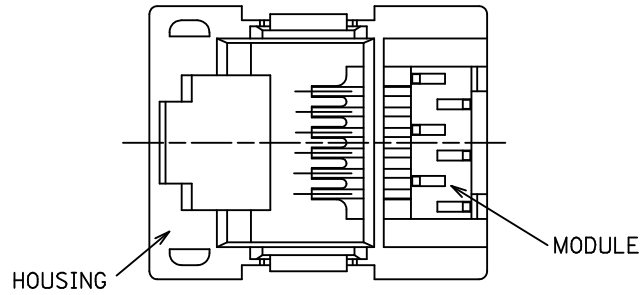
**PLATING:**

PLATING 7: POST PLATE 0.00005 MIN GOLD FLASH OVER  
 0.00060 MIN PALLADIUM-NICKEL IN CONTACT AREA,  
 0.00190 MIN PURE TIN IN TAIL AREA  
 BOTH OVER 0.00127 MIN NICKEL OVERALL

- 2- JACK FOR MATING WITH IEC 60603-7 AND TIA-1096-A PLUGS 90075 MOLEX SERIES.
  - 3- PCB THICKNESS : 1.57
  - 4- PRODUCT SPECIFICATION PS-95502-001
  - 5- PACKAGING SPECIFICATION PK-95002
  - 6- APPLICATION SPECIFICATION: AS-85513-001
  - 7- MANUFACTURING I.D. CAN BE MG, MXF OR MXI.
- LAST INSPECTION NUMBER: 8



P/N	PLATING	HOUSING SIZE	CKTS.	DIM.		
				A ±0.13	B ±0.05 / ±0.10	C ±0.08
95502-7443	7	POS 4	4 CKTS	11.50	3.81	10.20
95502-7643	7	POS 6	4 CKTS	13.55	3.81	12.20
95502-7663	7	POS 6	6 CKTS	13.55	6.35	12.20
95502-7883	7	POS 8	8 CKTS	15.55	8.89	14.20



<b>CORRECTED VIEWS</b> EC NO: IPG2013-1115 DRW:DBYRNES 2013/01/24 CHKD:SMCGREVVY 2013/02/05 APPR:STGRIFFIN 2013/02/21	QUALITY SYMBOLS ▽=0 ◻=0	GENERAL TOLERANCES (UNLESS SPECIFIED) mm INCH 4 PLACES ± --- ± --- 3 PLACES ± --- ± --- 2 PLACES ± 0.15 ± --- 1 PLACE ± 0.25 ± --- ANGULAR ± .5 °	DIMENSION STYLE MM ONLY DRAWN BY: TMARTIN DATE: 2005/05/31 CHECKED BY: FCARABETTA DATE: 2005/05/31 APPROVED BY: KNOLLER DATE: 2005/05/31	SCALE: 4:1 DESIGN UNITS: METRIC THIRD ANGLE PROJECTION	TITLE: BOTTOM ENTRY LOW PROFILE MODULAR JACK (THROUGH HOLE VERSION) MOLEX INCORPORATED	
	DRAFT WHERE APPLICABLE MUST REMAIN WITHIN DIMENSIONS	MATERIAL NO.: SEE CHART DOCUMENT NO.: SD-95502-001 SHEET NO.: 1 OF 1	THIS DRAWING CONTAINS INFORMATION THAT IS PROPRIETARY TO MOLEX INCORPORATED AND SHOULD NOT BE USED WITHOUT WRITTEN PERMISSION			

**NOTES :**

**1- MATERIAL:**

- HOUSING: LCP FIBER GLASS FILLED UL 94-V0 COLOR BLACK.
- MODULE: LCP FIBER GLASS FILLED UL 90-V0 COLOR BLACK
- TERMINAL: COPPER ALLOY

**PLATING:**

PLATING 7: POST PLATE 0.00005 MIN GOLD FLASH OVER  
 0.00060 MIN PALLADIUM-NICKEL IN CONTACT AREA,  
 0.00190 MIN PURE TIN IN TAIL AREA  
 BOTH OVER 0.00127 MIN PURE NICKEL OVERALL

2- JACK FOR MATING WITH IEC 60603-7 AND TIA-1096-A  
 PLUGS 90075 MOLEX SERIES.

3- PCB THICKNESS : 1.57

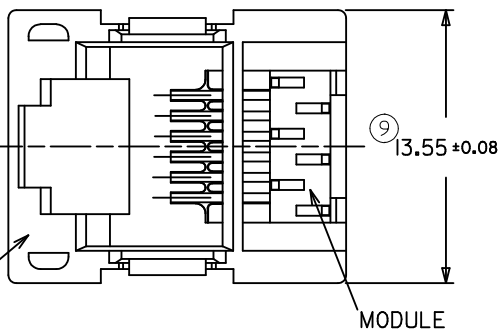
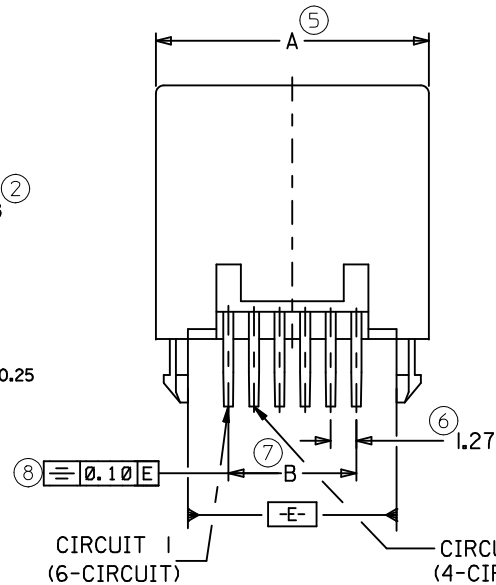
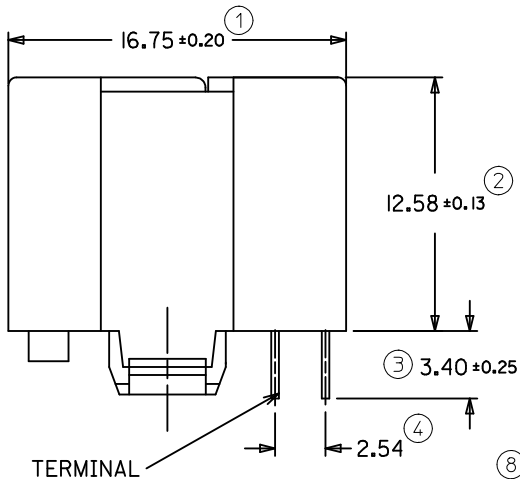
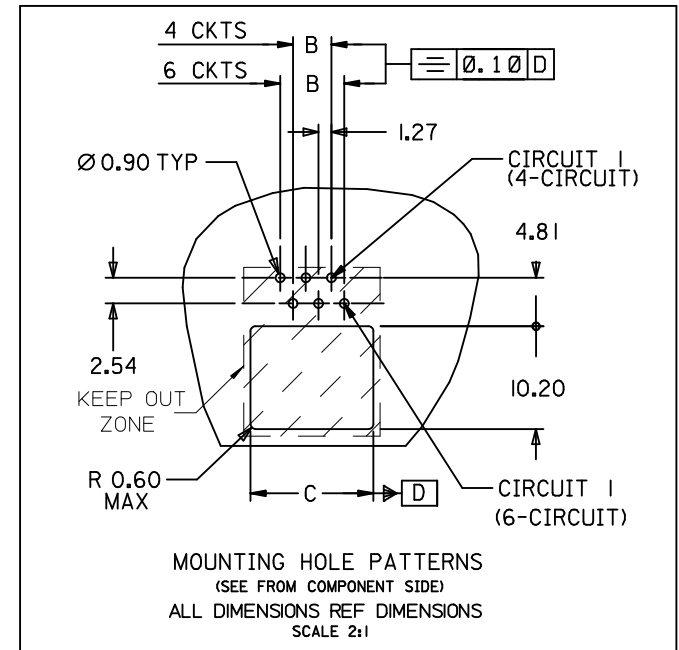
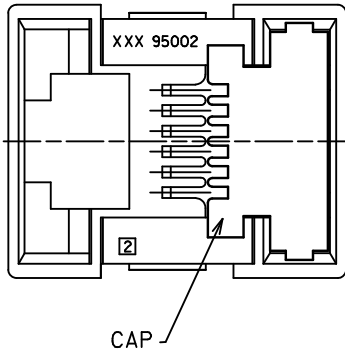
4- PRODUCT SPECIFICATION PS-95502-001

5- PACKAGING SPECIFICATION PK-95002

6- MANUFACTURING I.D. CAN BE MG, MXF OR MXI.

7- APPLICATION SPECIFICATION: AS-85513-001

LAST INSPECTION NUMBER: 9



P/N	PLATING	HOUSING SIZE	CKTS	DIM		
				A ±0.13	B ±0.05 / 0.10	C ±0.08
95502-7447	7	POS 4	4 CKTS	11.50	3.81	10.20
95502-7647	7	POS 6	4 CKTS	13.55	3.81	12.20
95502-7667	7	POS 6	6 CKTS	13.55	6.35	12.20

CORRECTED VIEWS EC NO: IPG2013-1115 DRW:DBYRNES 2013/01/24 CHKD:SMCGREYV 2013/02/05 APPR:STGRIFFIN 2013/02/21	QUALITY SYMBOLS	GENERAL TOLERANCES (UNLESS SPECIFIED)	DIMENSION STYLE	SCALE	DESIGN UNITS	THIRD ANGLE PROJECTION
	▽=0 ▽=0	mm INCH 4 PLACES ± --- ± --- 3 PLACES ± --- ± --- 2 PLACES ± 0.15 ± --- 1 PLACE ± 0.25 ± --- ANGULAR ± .5 °	MM ONLY	4:1	METRIC	
		DRAFT WHERE APPLICABLE MUST REMAIN WITHIN DIMENSIONS	DRAWN BY: TMARTIN CHECKED BY: FCARABETTA APPROVED BY: KNOLLER DATE: 2005/05/31	TITLE: BOTTOM ENTRY LOW PROFILE MODULAR JACK WITH CAP (THROUGH HOLE VERSION) MOLEX INCORPORATED	DOCUMENT NO.: SD-95502-002	SHEET NO.: 1 OF 1
			MATERIAL NO.: SEE CHART SIZE: A3 THIS DRAWING CONTAINS INFORMATION THAT IS PROPRIETARY TO MOLEX INCORPORATED AND SHOULD NOT BE USED WITHOUT WRITTEN PERMISSION			