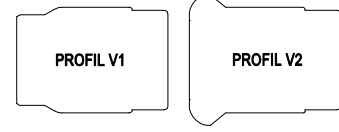
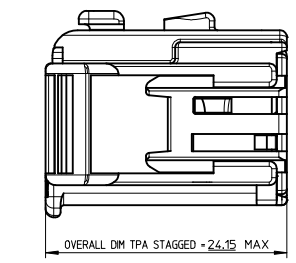
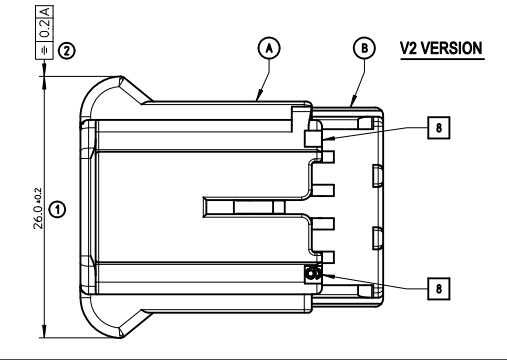
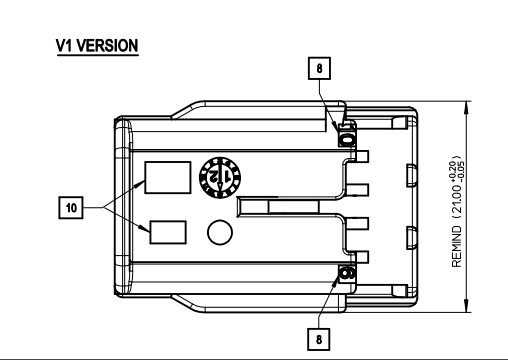
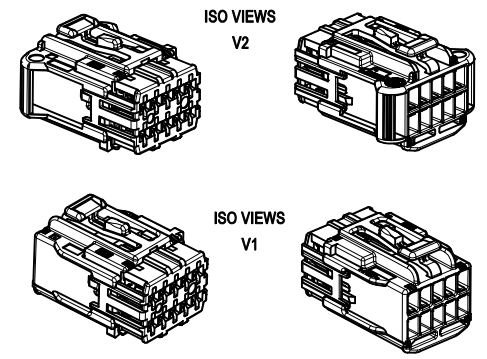


# CODINGS

REAR VIEW HOUSING					
* CODING AERAS					
V2 M/N°	0988161018	0988161011	0988161016	0988161010	0988161015
COLOR	GREY	BLACK	BLUE	WHITE	GREEN
V1 M/N°	0988161118	0988161111	0988161116	0988161110	0988161115

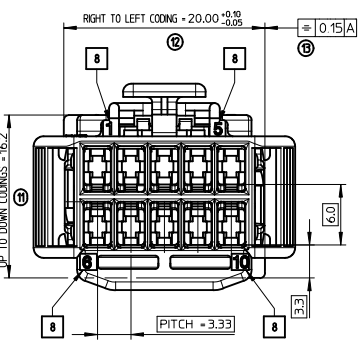
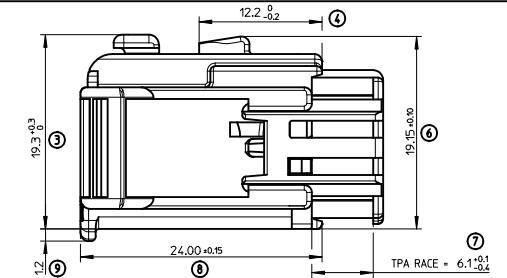
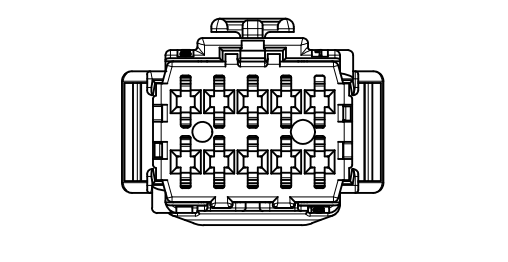
MODIFICATIONS			
REV.	DESCRIPTIONS	NAME	DATE
A	X-RELEASED	PBO	06/12/07
B	ADDED CONNECTORS V1 VERSION. DIM#5 REMOVED.	GD	26/01/12



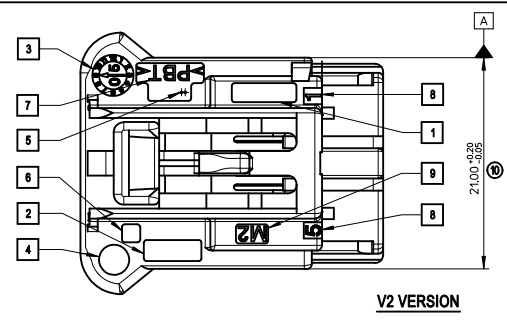
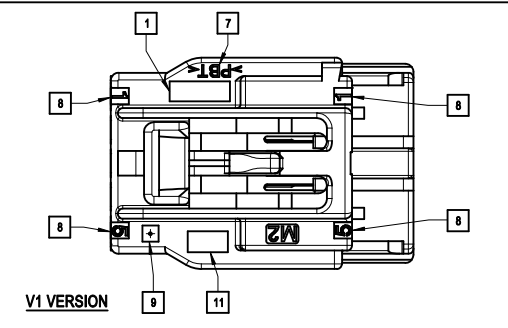
CODING SHOWN: GREY  
P/N°: (V2) 0988161018  
(V1) 0988161118

- NOTES:
- 1 - USE 15 TERMINALS, 98897 SERIES (COMPATIBLE WITH SICHA)
  - 2 - MATES WITH 098823101X
  - 3 - APPLICATION SPECIFICATION: AS-9886-001
  - 4 - PART WEIGHT: V2= 4.970 g, V1= 4.850 g

12	SUPPLIER ACRONYM
11	CUSTOMER ACRONYM
9	MOLD IDENTIFICATION
8	TERMINAL CAVITY IDENTIFICATION
7	MATERIAL CODE
6	STAMP IDENTIFICATION
5	PART REVISION LEVEL
4	ASSEMBLY REVISION LEVEL
3	DATUM YEAR AND MONTH
2	ENGINEERING CONTROL ID
1	MOLEX MATERIAL NUMBER



ID.	QTY	DESIGNATION	COLOR	MATERIAL
B	1	SICHA RCPT CONN TPA ORN 10CKT	ORANGE	PBT
A	1	SICHA RCPT CONN UNSEALED 15 10CKT	WHITE BLACK GREEN BLUE GREY	PBT



ADDITION OF OPTION

LEC NO: G2012-0110

DRWNGES BRIGIERES 2012/01/26

CHKD: JLDUCLOS 2012/02/03

APPROF: PLESSIS 2012/03/14

GENERAL TOLERANCES (UNLESS SPECIFIED)

	mm	INCH
4 PLACES	± 0.15	± 0.006
3 PLACES	± 0.10	± 0.004
2 PLACES	± 0.05	± 0.002
1 PLACE	± 0.1	± 0.004

ANGULAR ± 2°

DRAFT WHERE APPLICABLE MUST REMAIN WITHIN DIMENSIONS

DIMENSION STYLE: MM ONLY

SCALE: 4:1

DESIGN UNITS: METRIC

FIRST ANGLE PROJECTION

DRAWN BY: PBOSSQUAIN 2006/12/07

CHECKED BY: JLDUCLOS 2006/12/08

APPROVED BY: LSTICKEIR 2006/12/08

MATERIAL NO. SD-9886-005

MOLEX INCORPORATED

UCCA RCPT CONN UNSEALED 15 10CKT

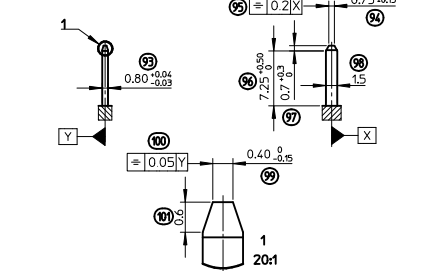
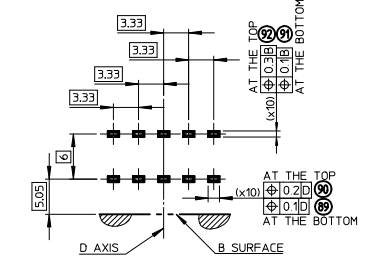
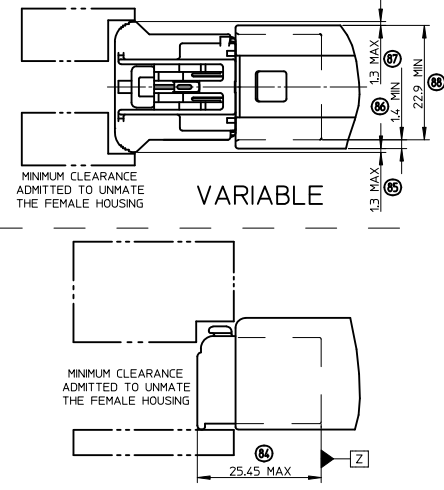
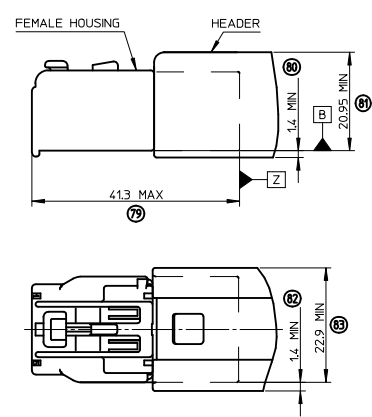
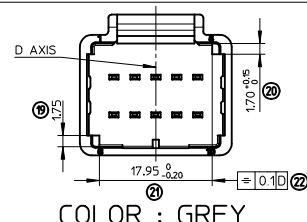
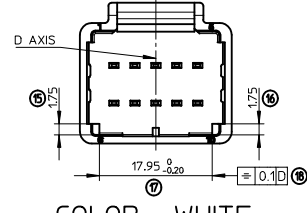
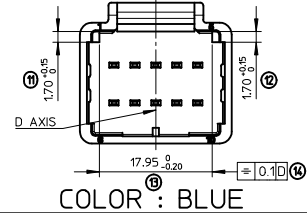
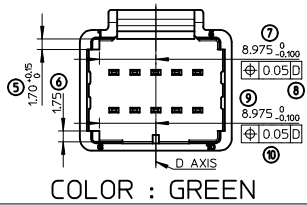
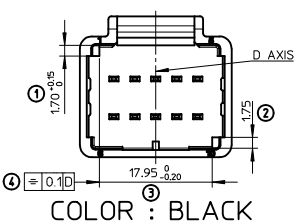
SHEET NO. 1 OF 1

**CODINGS** SCALE 2.5:1

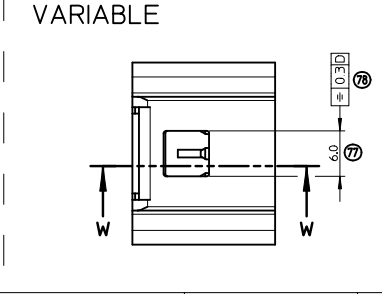
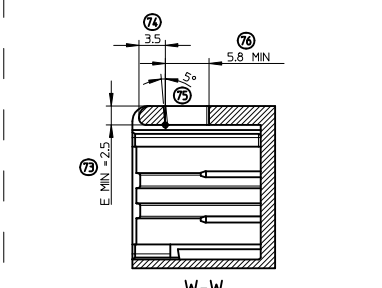
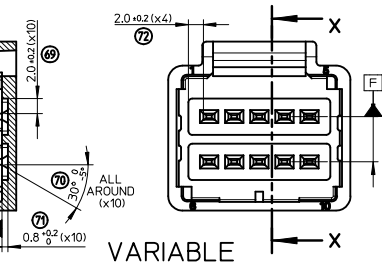
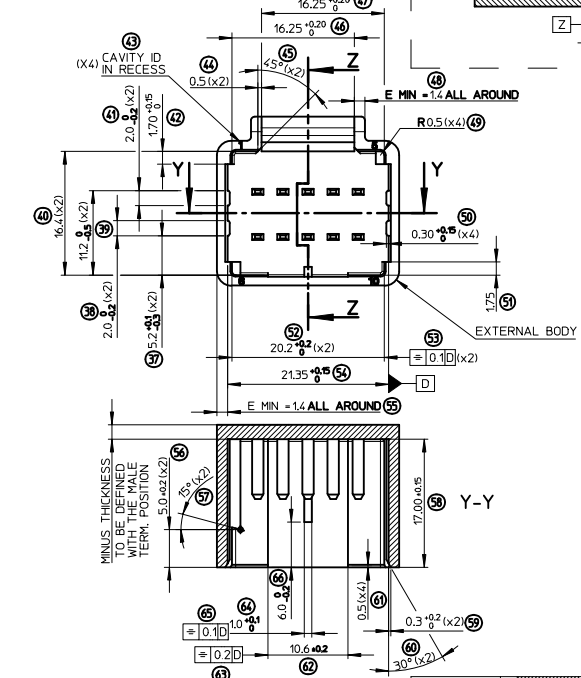
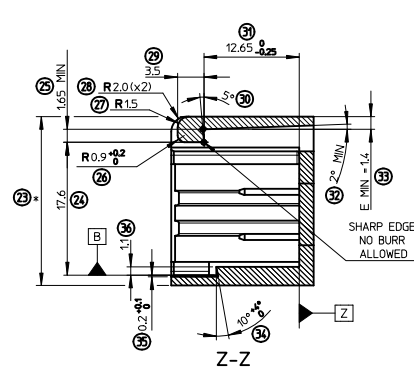
**OVERALL DIMENSIONS**

**MALE TERMINALS POSITION**

**1.5 MALE TERMINAL DEFINITION**



**HEADER'S DEFINITION - GREY CODING REPRESENTED**



**NOTES**

- 1 - MALE TERMINALS :
  - RESISTANCE : 80N MIN IN MALE TERM. AXIS
  - MATERIAL : COPPER, COPPER ALLOY OR BRASS
  - FINISHES : TIN PLATED 2µ MIN
- 2 - HEADER :
  - RADI WITHOUT DM : R-0.3 MM
  - E MIN : MINIMUM MATERIAL THICKNESS RECOMMENDED FOR SPECIFIED MATERIAL
  - MATERIAL : PBT (RECOMMENDED)
  - WARPING : 0.2 MM MAX ACCEPTED ON "w" WITH ANOTHER EXTERNAL SHAPE AS DRAWN WHEN PLUGGED
- 3 - MATES WITH : MOLEX CONNECTORS 98816-101X AND 98816-111X

**INSPECTION BALLOON NUMBER LOG**

PER DRAWING REVISION A
LAST BALLOON NUMBER USED: 102
ADDED BALLOON NUMBERS: NONE
REMOVED BALLOON NUMBERS: NONE

<b>FIRST RELEASE</b> EC NO: G2012-0187 DR/MN/PROJ/QUAIN 2012/04/17 CHK/D:DAT/ZAOUT 2012/04/17 APPR:OP/LESSIS 2012/05/11	QUALITY SYMBOLS 100% 100% 100% 100%	GENERAL TOLERANCES (UNLESS SPECIFIED) mm      INCH	DIMENSION STYLE <b>MM ONLY</b>	SCALE <b>3:1</b>	DESIGN UNITS <b>METRIC</b>	FIRST ANGLE PROJECTION	
		4 PLACES ± --- ± --- 3 PLACES ± --- ± --- 2 PLACES ± 0.05 ± --- 1 PLACE ± 0.1 ± --- 0 PLACE ± --- ± ---	DRAWN BY DATE DROGNERUD 1996/07/09	CHECKED BY DATE JDUCLIOS 2007/12/13	TITLE <b>10W INTERFACE 1.5 TERM. (FOR FEMALE HOUSING)</b>	DOCUMENT NO. <b>SD-98816-006</b>	SHEET NO. 1 OF 1
		ANGULAR ± 2° DRAFT WHERE APPLICABLE MUST REMAIN WITHIN DIMENSIONS	APPROVED BY DATE 2012/05/11	MATERIAL NO. N/A	THIS DRAWING CONTAINS INFORMATION THAT IS PROPRIETARY TO MOLEX INCORPORATED AND SHOULD NOT BE USED WITHOUT WRITTEN PERMISSION		