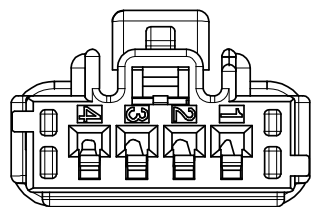
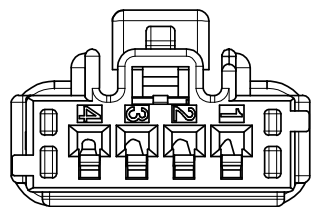


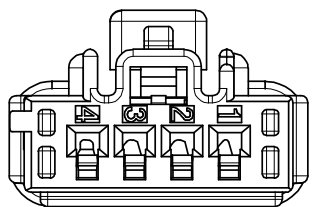
WHITE CODING
P/N 0988171040



BLACK CODING
P/N 0988171041



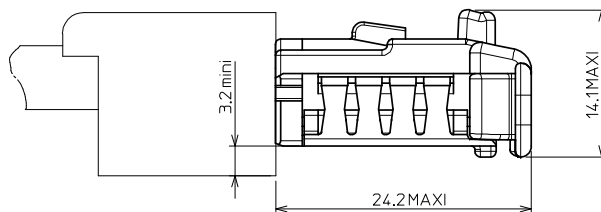
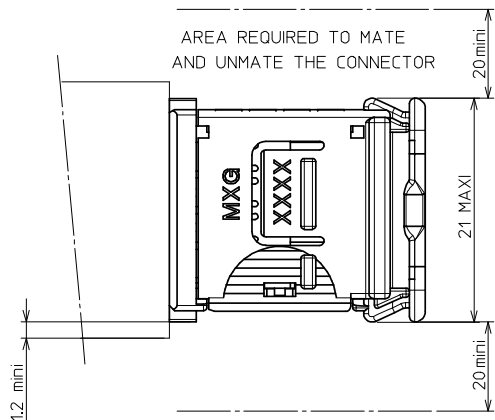
GREEN CODING
P/N 0988171045



GREY CODING
P/N 0988171048

CODING 4:1

HANDLING AREA

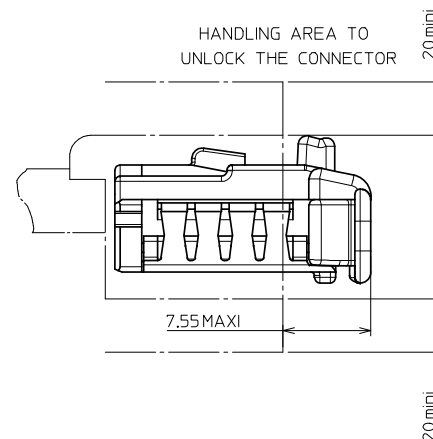


NOTE : 1 - The using conditions of the hinge are showed in the MOLEX specification n°AS-98821-001.

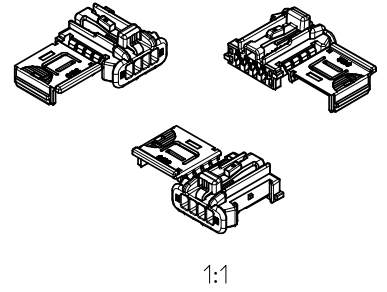
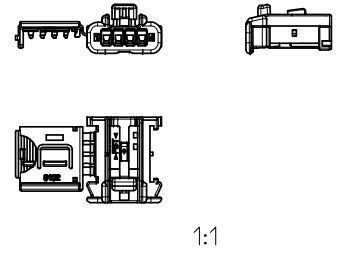
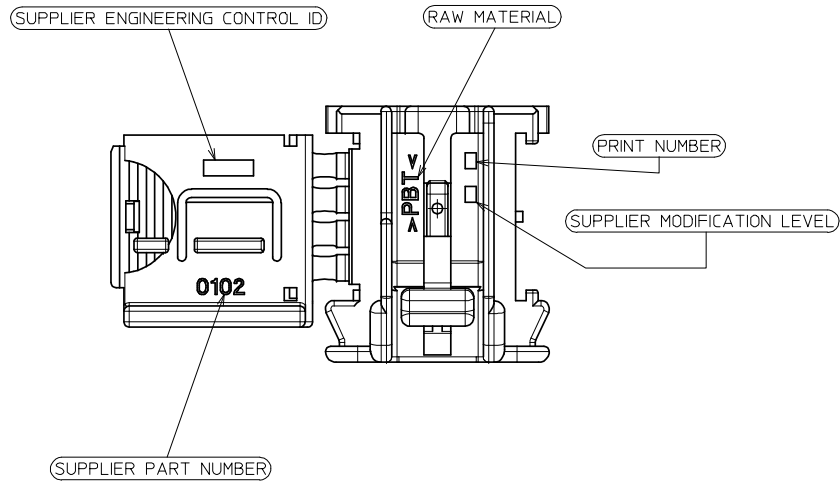
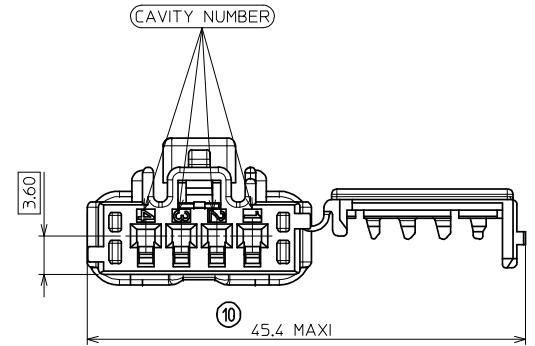
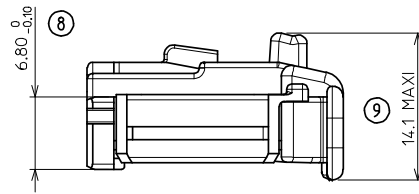
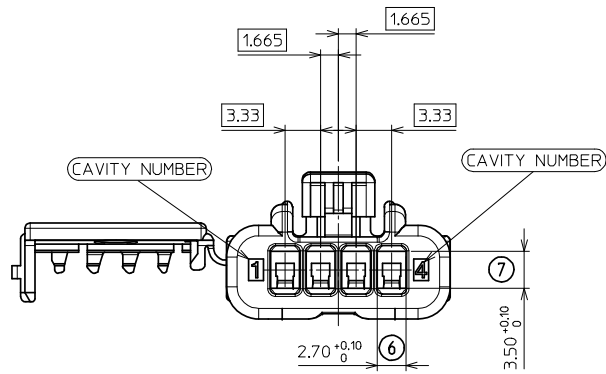
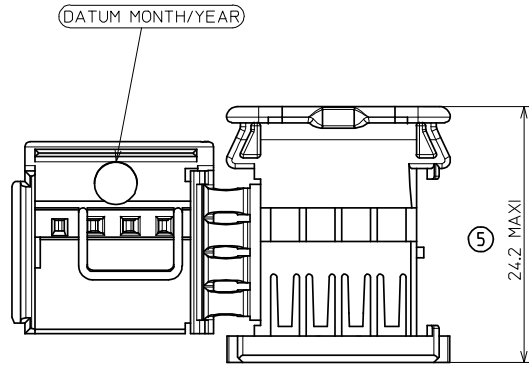
- 2 - Female terminal used : SCC RCPT TERM 1.5mm
 - Range 1 : 0988971109 (0.22 mm² to 2x0.22 mm²)
 - Range 2 : 0988971119 (0.5 mm² to 1 mm² included)
 - Range 3 : 0988971129 (2x0.5 mm² to 2 mm² included)

- 3 - Female connector will mate with male connector P/N 098822104x or header 098773101x.

AREA REQUIRED WHEN THE CONNECTOR IS MATED



FIRST RELEASE EC NO: G2008-0400 DRAWN: LPOUCHAUD 2008/04/22 CHKD: YIGEL 2008/04/22 APPR: LSTICKEIR 2008/04/22	DESCRIPTION QUALITY SYMBOLS 	GENERAL TOLERANCES (UNLESS SPECIFIED)		DIMENSION STYLE	SCALE	DESIGN UNITS	THIRD ANGLE PROJECTION	
				MM ONLY	3:1	METRIC		
		4 PLACES ±---	±---	DRAWN BY	DATE	TITLE		
		3 PLACES ±---	±---	LPOUCHAUD	2008/03/26	NSCC RCPT HSG 1.5 4CKT		
2 PLACES ±0.05	±---	CHECKED BY	DATE	MOLEX INCORPORATED				
1 PLACE ±0.1	±---	YIGEL	2008/03/26					
ANGULAR ± 1°		APPROVED BY	DATE	DOCUMENT NO. SD-98817-003				
DRAFT WHERE APPLICABLE MUST REMAIN WITHIN DIMENSIONS		LSTICKEIR	2008/03/28					
		MATERIAL NO.		SHEET NO. 1 OF 2				
		SEE CHART						
		THIS DRAWING CONTAINS INFORMATION THAT IS PROPRIETARY TO MOLEX INCORPORATED AND SHOULD NOT BE USED WITHOUT WRITTEN PERMISSION						



1:1

1:1

GREEN CODING (P/N 0988171045) IS SHOWN.

NSCC Rcpt Hsg 1.5 4CKT		0988171048	Grey	POLYESTER (PBT)	2.465 g		
		0988171045	Green				
		0988171041	Black				
		0988171040	White				
Description		Part-Number	Color	Raw Material	Weight effective		
FIRST RELEASE EC NO: G2008-0400 DRAWN: LPOUCHAUD 2008/04/22 CHKD: YIGEL 2008/04/22 APPR: LSTICKEIR 2008/04/22	QUALITY SYMBOLS 	GENERAL TOLERANCES (UNLESS SPECIFIED)		DIMENSION STYLE			
				MM ONLY		SCALE	DESIGN UNITS
						1:1	METRIC
						THIRD ANGLE PROJECTION	
						TITLE	
				NSCC RCPT HSG 1.5 4CKT			
				DRAWN BY DATE			
				LPOUCHAUD 2008/03/26			
				CHECKED BY DATE			
				YIGEL 2008/03/26			
				APPROVED BY DATE			
				LSTICKEIR 2008/03/28			
				MATERIAL NO.			
				DOCUMENT NO.			
				MOLEX INCORPORATED			
				SD-98817-003			
				SHEET NO.			
				2 OF 2			
				SIZE			
				A 2			
				THIS DRAWING CONTAINS INFORMATION THAT IS PROPRIETARY TO MOLEX INCORPORATED AND SHOULD NOT BE USED WITHOUT WRITTEN PERMISSION			