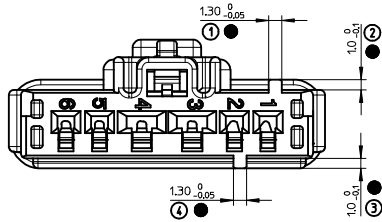
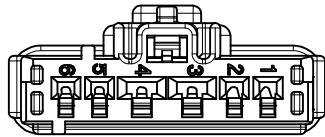


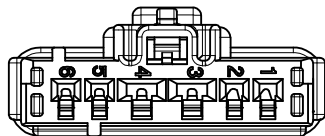
MOLEX P/N°: 0988211060
COLOUR: WHITE



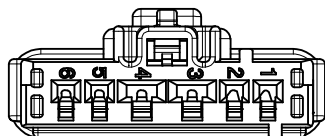
MOLEX P/N°: 0988211061
COLOUR: BLACK



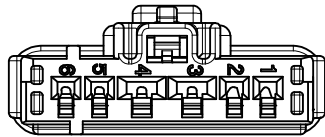
MOLEX P/N°: 0988211065
COLOUR: GREEN



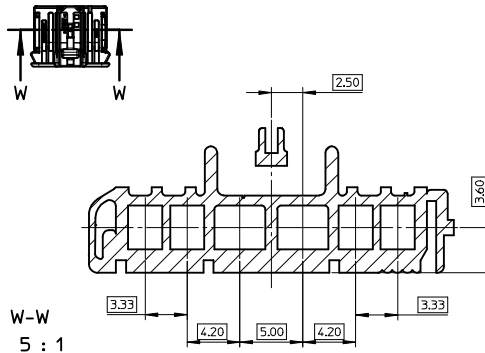
MOLEX P/N°: 0988211068
COLOUR: GREY



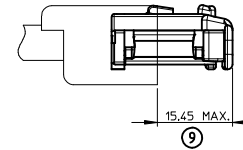
MOLEX P/N°: 0988211069
COLOUR: BROWN



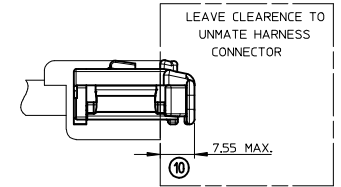
CAVITIES PITCH
5:1



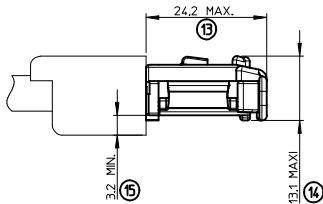
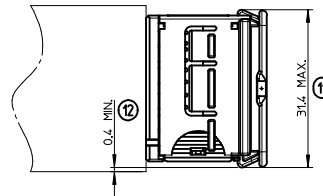
HOLDING IN FIXTURE
DIMENSION PRIOR TO LOCKING
2:1



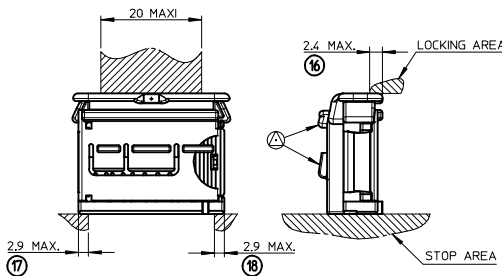
DIMENSION WHEN CONNECTOR MATED
2:1



CLEARANCE FOR CONNECTOR MATED AND UNMATED
2:1



HOLDING IN FIXTURE
2:1



MOLEX P/N			
SCC RCPT TERM 1.5 MM	RANGE 1	0988971109	
	RANGE 2	0988971119	
	RANGE 3	0988971129	
TERM RCPT 2.8 MM UCC2	RANGE 1		0988981029
	RANGE 2		0988981039
	RANGE 3		0988981049

INDICATION DIMENSIONS S.P.C DENOTES S.P.C DIMENSIONS
 INDICATION DIMENSIONS CRITIQUES DENOTES CRITIQUES DIMENSIONS
 INDICATION DIMENSIONS FONCTIONNELLES DENOTES FUNCTIONNELLES DIMENSIONS
 QUANTITE PAR FEUILLE INDIVIDUELLE
 QUANTITY PER INDIVIDUAL SHEET
 = 0 = 0 = 4

- FEMALE CONNECTOR WILL MATE WITH MALE CONNECTOR P/N 098825106x OR HEADER P/N 098770201X

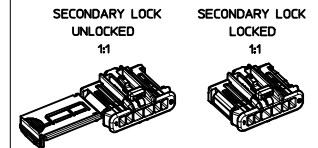
- THE USING CONDITIONS OF THE HINGE ARE SHOWNN IN THE MOLEX SPECIFICATION N°: AS-98821-001.

- HOLDING FORCE ONTO FIXTURE:
20 TO 35 NEWTON WITH PUSH TEST.
10 TO 35 NEWTON WITHOUT PUSH TEST.

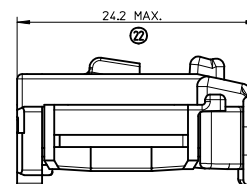
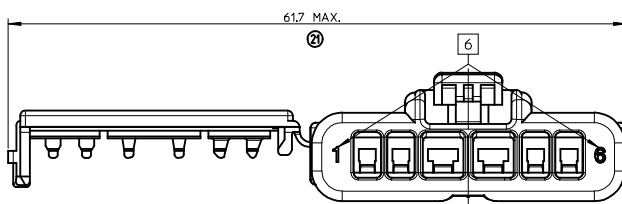
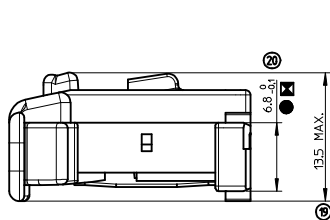
- DO NOT LOCK THE FIXTURE WITH THE AREAS IDENTIFIED BY: (16)

- DO NOT DAMAGE THE PART ON THE AREAS IDENTIFIED BY: (17)

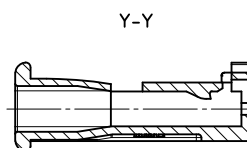
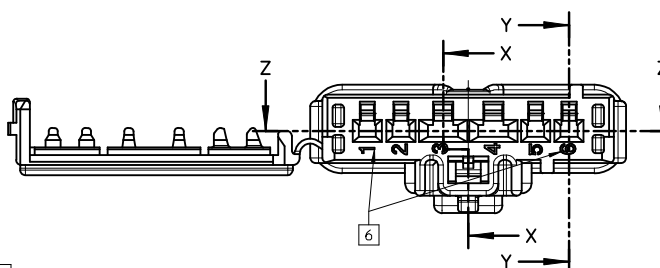
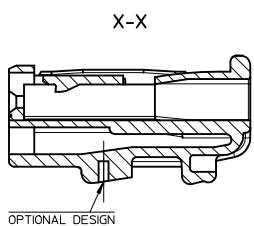
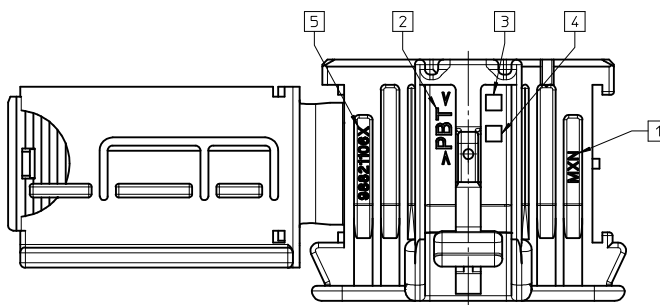
- FEMALE TERMINAL USED: SEE CHART BELOW.



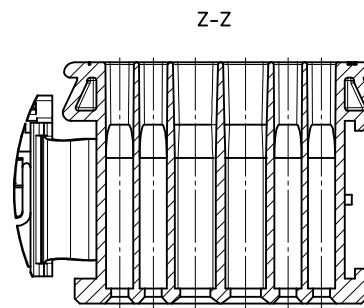
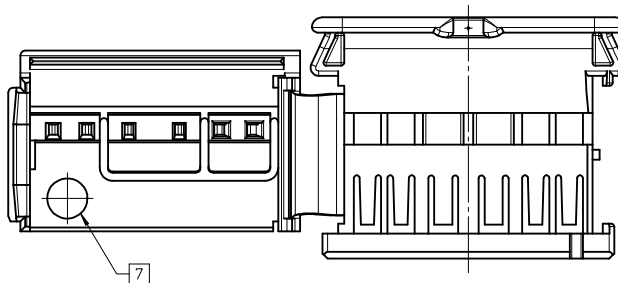
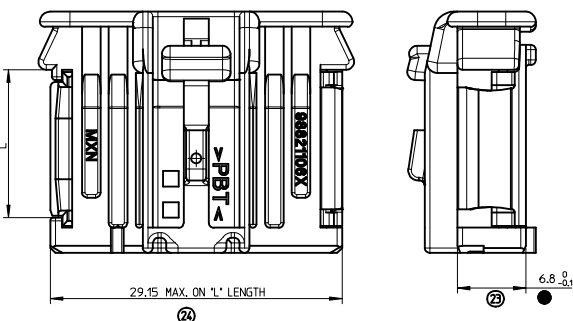
REVISED IEC NO: G2013-0303 0000-010-0000 C DRAWINGS: BRUIERES 2013/04/26 CHYKOLBARRETO 2013/04/26 APPR: OPFLISSIS 2013/09/12	QUALITY SYMBOLS (19) (20) (21)	GENERAL TOLERANCES (UNLESS SPECIFIED)		DIMENSION STYLE MM ONLY		SCALE 4:1	DESIGN UNITS METRIC	FIRST ANGLE PROJECTION	
			mm	INCH	DRAWN BY LPOUCHAUD	DATE 2007/12/05	TITLE UCC RCPT CONN HYBRID UNSEALD 6CKT	molex	
		4 PLACES ± --- ± ---			CHECKED BY YIGEL	DATE 2007/12/12	DOCUMENT NO. SD-98821-002		SHEET NO. 1 OF 2
		3 PLACES ± --- ± ---			APPROVED BY LSTICKEIR	DATE 2007/12/17	INCORPORATED AND SHOULD NOT BE USED WITHOUT WRITTEN PERMISSION		
			2 PLACES ± 0.05 ± ---						
			1 PLACE ± 0.10 ± ---						
			0 PLACE ± 0.10 ± ---						
			ANGULAR ± 1 °						
			DRAFT WHERE APPLICABLE MUST REMAIN WITHIN DIMENSIONS						
			SEE CHART						



SECONDARY LOCK
UNLOCKED



SECONDARY LOCK
LOCKED



- FEMALE CONTACTS AND CAVITIES LOCATION,
HOLDING IN FIXTURE, OVERALL DIMENSIONS,
KEY ACCORDING SHEET 1/2 OF SAME P/N°.

MARKINGS:

- 1 - SUPPLIER MFG. PLANT ID.
- 2 - MATERIAL
- 3 - MOLD CAVITY ID.
- 4 - SUPPLIER MOLD REV. LEVEL
- 5 - SUPPLIER P/N°
- 6 - TERM. CAVITY N°
- 7 - DATUM: MONTH/YEAR

1 : 1



[X] INDICATION DIMENSIONS S.P.C
 DENOTES S.P.C DIMENSIONS
 [O] INDICATION DIMENSIONS CRITIQUES
 DENOTES CRITIQUES DIMENSIONS
 [●] INDICATION DIMENSIONS FONCTIONNELLES
 DENOTES FUNCTIONNELLES DIMENSIONS
 QUANTITE PAR FEUILLE INDIVIDUELLE
 QUANTITY PER INDIVIDUAL SHEET
 [X] = 1 [O] = 0 [●] = 2

DESCRIPTION	P/N°	COLOUR	MATERIAL	EFFECTIVE WEIGHT
UCC RCPT CONN HYBRID UNSEALED 6CKT	0988211069	BROWN	PBT	3.480 g
	0988211068	GREY		
	0988211065	GREEN		
	0988211060	WHITE		
	0988211061	BLACK		

REVISED
 E.C. NO: G2013-0330
 DRAWING REVISIONS 2013/04/26
 CHKD: BARRETO 2013/04/26
 APPR: DEPLESSIS 2013/09/12

QUALITY SYMBOLS	GENERAL TOLERANCES (UNLESS SPECIFIED)	
	mm	INCH
4 PLACES	± 0.10	± 0.004
3 PLACES	± 0.15	± 0.005
2 PLACES	± 0.20	± 0.008
1 PLACE	± 0.30	± 0.012
0 PLACE	± 0.40	± 0.016

ANGULAR ± 1°
 DRAFT WHERE APPLICABLE
 MUST REMAIN WITHIN DIMENSIONS

DIMENSION STYLE	
MM ONLY	
DRAWN BY	DATE
LPOUCHAUD	2007/12/05
CHECKED BY	DATE
YIGEL	2007/12/12
APPROVED BY	DATE
LSTICKEIR	2007/12/17
MATERIAL NO.	
SEE CHART	

SCALE	DESIGN UNITS	FIRST ANGLE PROJECTION
4:1	METRIC	[Symbol]
TITLE		
UCC RCPT CONN HYBRID UNSEALED 6CKT		
DOCUMENT NO.		
SD-98821-002		
SHEET NO.		2 OF 2

molex
 THIS DRAWING CONTAINS INFORMATION THAT IS PROPRIETARY TO MOLEX
 INCORPORATED AND SHOULD NOT BE USED WITHOUT WRITTEN PERMISSION