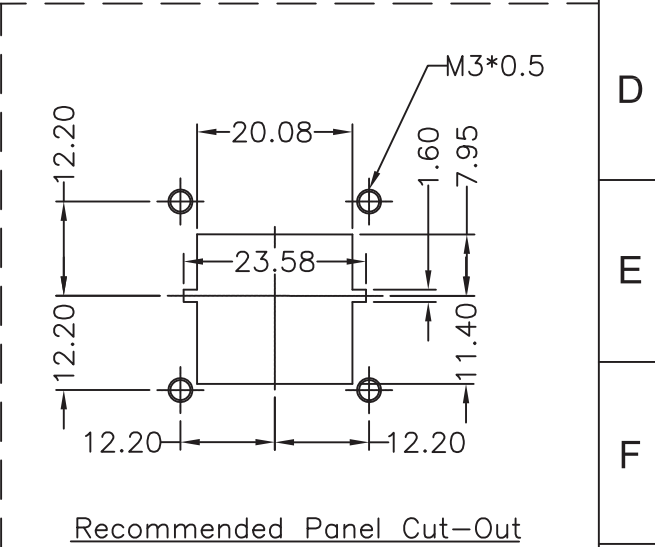
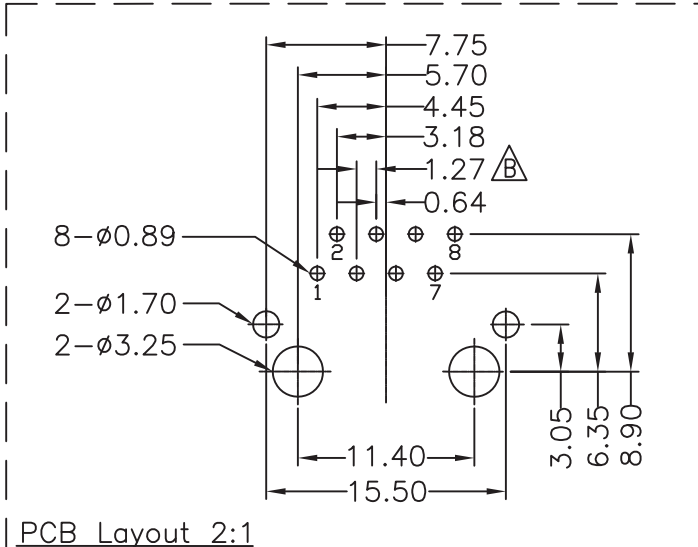


**Material:**

- Waterproof Rate: IP67
- Housing: ABS 94V-0, BK
- Contact Carrier: PBT
- Contact Pin: Copper Alloy
- Contact Surface: Gold plated
- Temperature range: -20°C to 60°C
- Gasket: EPDM, BK
- Screw: Stainless
- Jack: RJ45 Modular Jack
- Screw torsion range: 1.5~2 kgf.cm
- The mating force between Plug and Jack should not be over 10 kgf



Unit: mm



Scale	Free					Date	Name	Title
TOLERANCE						Drawn	Miller	Waterproof Shielded RJ45 Jack Asmbly PCB 90°, Panel front mount
X.X	±0.25					Approved	Groll	ASSMANN WSW-No.
X.XX	±0.1							A-RJ45-DFR-R
X.XXX	±0.05							Drawing-No.
DIM	TOL							rev01
X.°	±X°							
X.X°	±X°	①	Updated all information	07.03.13	Wilson			Replace
Angles	±1°	①	Modification	Date	Name	1840 W. Drake Drive, Suite 101 • Tempe, AZ 85283 Toll Free: 1-877-277-6266 • Email: info@assmann.us		Sheet 1/1