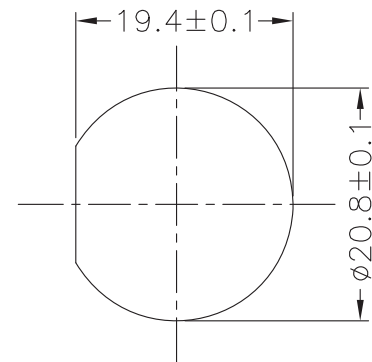
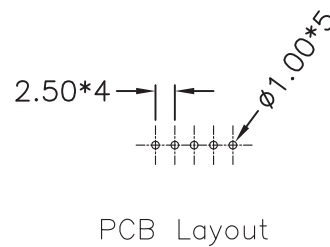


Material:

- Waterproof Rate: IP67
- Body: ABS 94V-0, Black
- USB B: Female solder type, gold plated
- Gasket: EPDM, Black
- Panel Nut: Nylon + GF, Black
- Housing: 5pin, PH=2.50mm
- Terminal: Phosphor bronze, tin-plated
- Cable: USB2.0 28AWG*1P+24AWG*2C+AL/My+D+B
 - Black PVC jacket resist UV, OD=5.0
- * Use with waterproof cap or dust cap
 - for panel thickness Max: 2.8mm
- * Use without waterproof cap or dust cap
 - for panel thickness Max: 4.0mm



5	Drain	Shield
4	Black 24AWG	4
3	Green 28AWG	3
2	White 28AWG	2
1	Red 24AWG	1
Housing	Wire Color	Conn.
Pin Out		

Unit: mm



Scale	Free					Date	Name	Title
TOLERANCE						Drawn	Wilson	Waterproof USB2.0 B Female for panel mount, 50mm
X.	±0.5					Approved	Groll	ASSMANN WSW-No.
X.X	±X							A-USB-BPFS-R
X.XX	±X							Drawing-No.
DIM	TOL							rev01
X.°	±X°							Replace
X.X°	±X°	①	Updated all information	12.03.13	Wilson			1/1
Angle	TOL	Id.	Modification	Date	Name	1840 W. Drake Drive, Suite 101 • Tempe, AZ 85283 Toll Free: 1-877-277-6266 • Email: info@assmann.us		